

Junction  
System Design







# BUSCONNECTS DUBLIN CORE BUS CORRIDORS INFRASTRUCTURE WORKS

## BALLYMUN / FINGLAS TO CITY CENTRE CORE BUS CORRIDOR SCHEME

### JUNCTION SYSTEM DESIGN

#### DRAWING SERIES NUMBER(S)

BCIDD-ROT-TSM\_IX-0304\_XX\_00-DR-TR-0001  
 BCIDD-ROT-TSM\_KP-0304\_XX\_00-DR-TR-0001  
 BCIDD-ROT-TSM\_SJ-0304\_XX\_00-DR-TR-0001 to 0038

#### DRAWING SERIES DESCRIPTION

BALLYMUN / FINGLAS TO CITY CENTRE CORE BUS CORRIDOR SCHEME. JUNCTION SYSTEM. COVER SHEET  
 BALLYMUN / FINGLAS TO CITY CENTRE CORE BUS CORRIDOR SCHEME. JUNCTION SYSTEM. KEY PLAN  
 BALLYMUN / FINGLAS TO CITY CENTRE CORE BUS CORRIDOR SCHEME. JUNCTION SYSTEM. DRAWINGS.

D:\Projects\2022\OSI\_NMA\_180\Ballymun-Finglas\COVER SHEETS\BCIDD-ROT-TSM\_IX-0304\_XX\_00-DR-TR-0001.dwg

Disclaimer  
 a. © National Transport Authority (NTA) 2022. This drawing is confidential and the copyright in it is owned by NTA. This drawing must not be either loaned, copied or otherwise reproduced in whole or in part or used for any purpose without the prior permission of NTA.  
 b. This drawing is to be used for the design element identified in the title block. Other information shown is to be considered indicative only. The drawing is to be read in conjunction with all other relevant design drawings.  
 c. O.S. data used for plans are printed under © Ordnance Survey Ireland Government of Ireland. All rights reserved. Licence Number 2022/OSI\_NMA\_180 National Transport Authority. All elevations are in metres and relate to OSI Geoid Model (OSGM15) Mean Head. All Co-ordinates are in Irish

Transverse Mercator Grid (ITM) as defined by OSI active local GPS station.  
 d. Information concerning the position of apparatus shown on this drawing is based on drawings supplied by the utility owners and/or the utility works contractor, whilst every care has been taken in the preparation of this drawing, positions should be taken as approximate and are intended for general guidance only and no representation is made by the NTA as to the accuracy, completeness, sufficiency or otherwise of this drawing and the position of the apparatus. The information contained herein does not purport to be comprehensive or final as the apparatus is subject to being altered and/or superceded. Recipients should not rely on this information. Any liabilities are hereby expressly disclaimed.

e. The information contained herein has been provided by the NTA but does not purport to be comprehensive or final. Recipients should not rely on the information. Neither the NTA nor any of its directors, officers, employees, agents, stakeholders or advisers make any representation or warranty as to, or accept any liability or responsibility in relation to, the adequacy, accuracy, reasonableness or completeness of the information provided as part of this document or any matter on which the information is based (including but not limited to loss or damage arising as a result of reliance by recipients on the information or any part of it). Any liabilities are hereby expressly disclaimed.



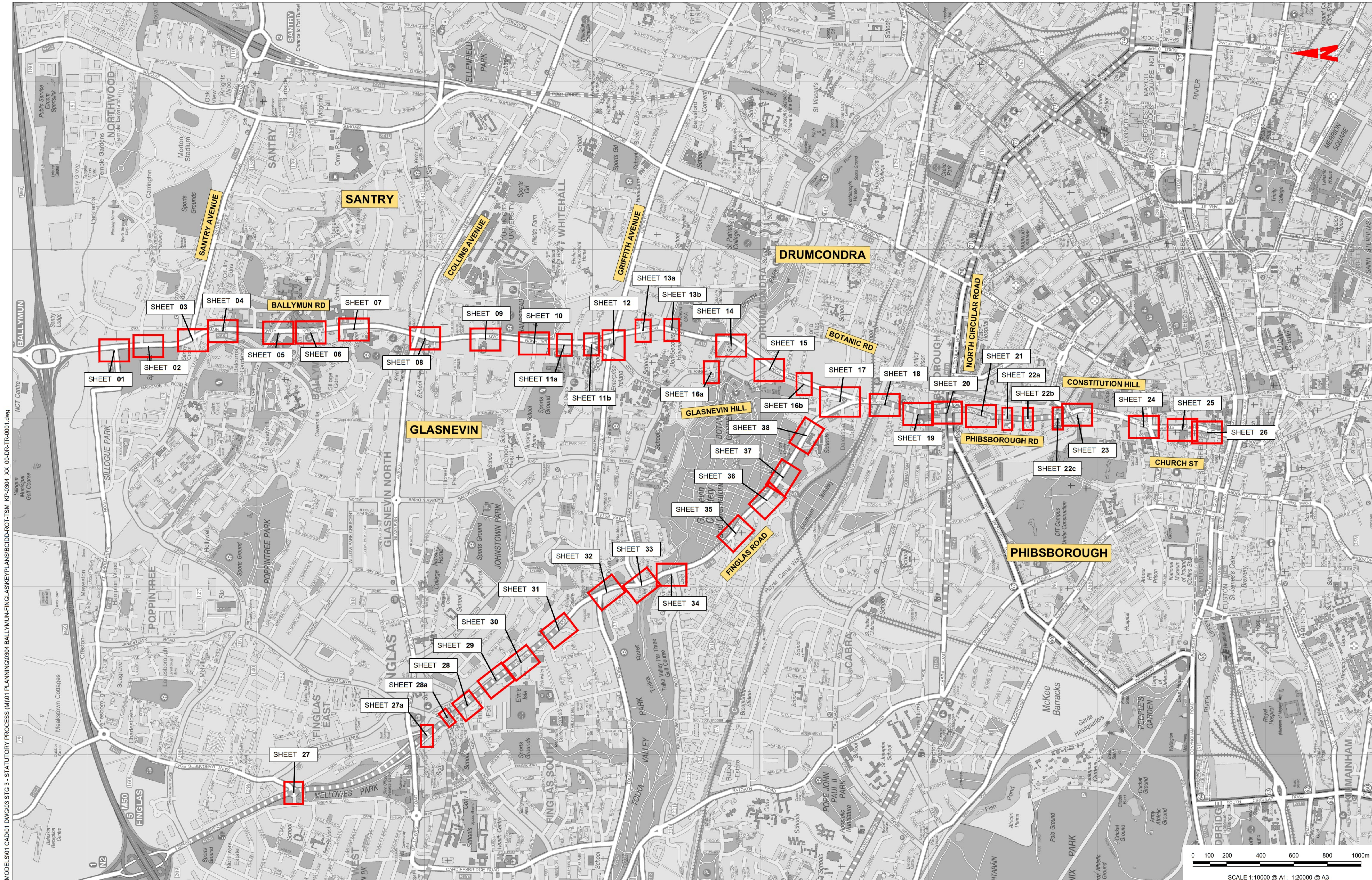
Rev	Date	Dm	Chk'd	App'd	Description
M01	13/05/2022	DS	EE	SMG	ISSUE FOR PHASE 4 : PLANNING

 Client		 Engineering Designer		
Date 13/05/2022	Scale NTS @ A1 NTS @ A3	Drawn DS	Checked EE	Approved SMG
Programme Code BCIDD	Originator Code ROT	QMS Code		

Programme Title <b>BUSCONNECTS DUBLIN          CORE BUS CORRIDORS INFRASTRUCTURE WORKS</b>				
Drawing Title BALLYMUN / FINGLAS TO CITY CENTRE CORE BUS CORRIDOR SCHEME JUNCTION SYSTEM DESIGN COVER SHEET				
Drawing File Name BCIDD-ROT-TSM_IX-0304_XX_00-DR-TR-0001	Sheet Number 01 of 01	Status A	Rev M01	

DO NOT SCALE USE FIGURED DIMENSIONS ONLY





J:\2019\191171917-02\_WIPO8 MODELS\01 CAD\01 DWG\03 STG 3 - STATUTORY PROCESS (M)\01 PLANNING\0304 BALLYMUN-FINGLAS\KEYPLANS\BIDD-ROT-TSM\_KP-0304\_XX\_00-DR-TR-0001.dwg

**Disclaimer**  
 © National Transport Authority (NTA) 2022. This drawing is confidential and the copyright in it is owned by NTA. This drawing must not be either loaned, copied or otherwise reproduced in whole or in part or used for any purpose without the prior permission of NTA.  
 This drawing is to be used for the design element identified in the title block. Other information shown is to be considered indicative only. The drawing is to be read in conjunction with all other relevant design drawings.  
 O.S. data used for plans are printed under © Ordnance Survey Ireland Government of Ireland. All rights reserved. Licence Number 2022/OSI\_JMA\_180 National Transport Authority. All elevations are in metres and relate to OSi Geoid Model (OSGM15) Mean Head. All Co-ordinates are in Irish

Transverse Mercator Grid (ITM) as defined by OSI active local GPS station.  
 Information concerning the position of apparatus shown on this drawing is based on drawings supplied by the utility owners and/or the utility works contractor, whilst every care has been taken in the preparation of this drawing, positions should be taken as approximate and are intended for general guidance only and no representation is made by the NTA as to the accuracy, completeness, sufficiency or otherwise of this information. The information contained herein does not purport to be comprehensive or final as the apparatus is subject to being altered and/or superseded. Recipients should not rely on this information. Any liabilities are hereby expressly disclaimed.

The information contained herein has been provided by the NTA but does not purport to be comprehensive or final. Recipients should not rely on the information. Neither the NTA nor any of its directors, officers, employees, agents, stakeholders or advisers make any representation or warranty as to, or accept any liability or responsibility in relation to, the adequacy, accuracy, reasonableness or completeness of the information provided as part of this document or any matter on which the information is based (including but not limited to loss or damage arising as a result of reliance by recipients on the information or any part of it). Any liabilities are hereby expressly disclaimed.



Rev	Date	Drn	Chk'd	App'd	Description
M01	13/05/2022	DS	EE	SMG	ISSUE FOR PHASE 4: PLANNING

Client  
**NTA**  
 Údarás Náisiúnta Iompair  
 National Transport Authority

Engineering Designer  
**FIROD**  
 TYPSA

Programme Title  
**BUSCONNECTS DUBLIN  
 CORE BUS CORRIDORS INFRASTRUCTURE WORKS**

Drawing Title  
 BALLYMUN / FINGLAS TO CITY CENTRE CORE BUS CORRIDOR SCHEME  
 JUNCTION SYSTEM DESIGN  
 KEYPLAN

Drawing File Name  
 BCIDD-ROT-TSM\_KP-0304\_XX\_00-DR-TR-0001

Sheet Number  
 01 of 01

Status  
 A

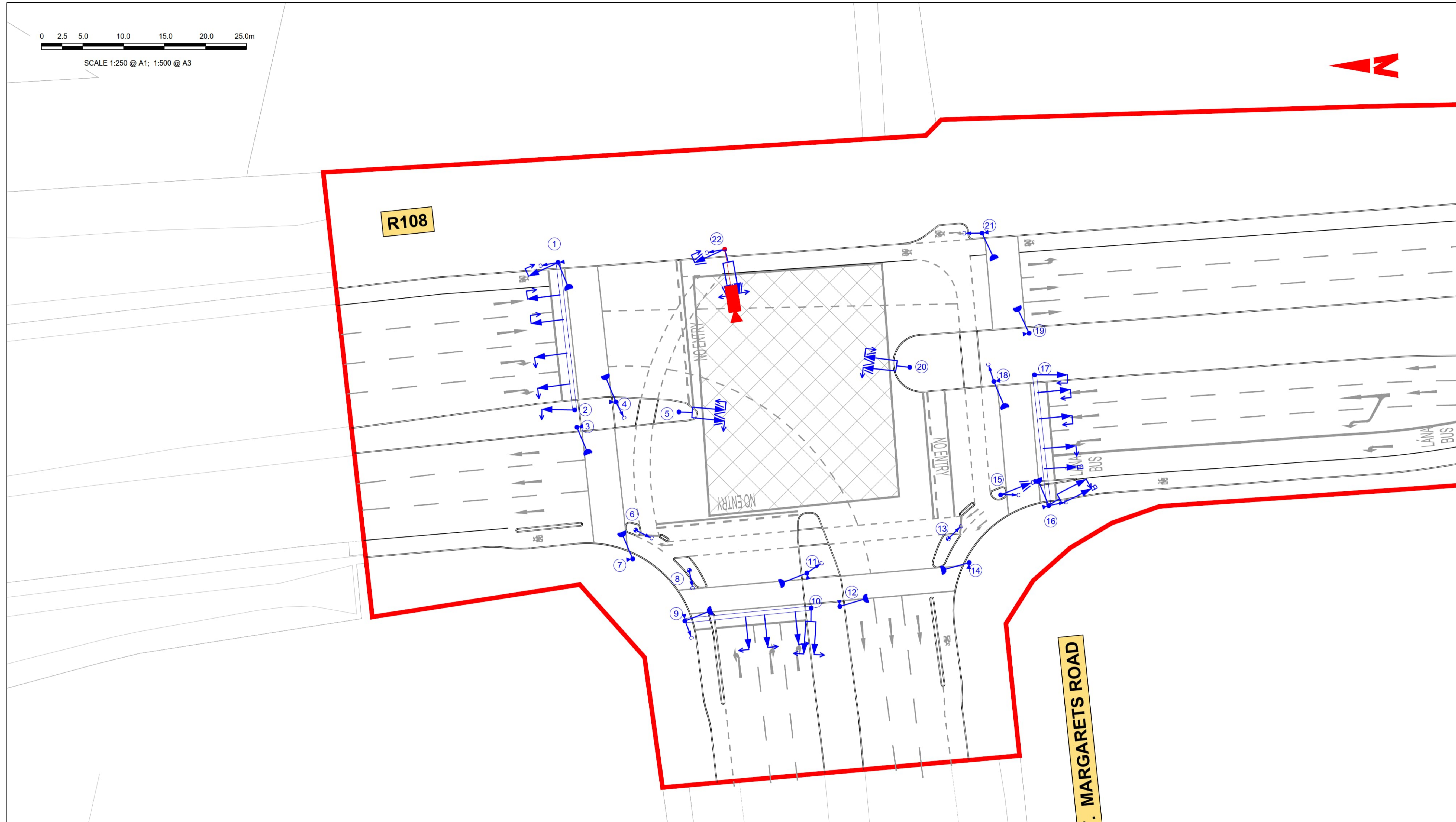
Rev  
 M01

DO NOT SCALE USE FIGURED DIMENSIONS ONLY



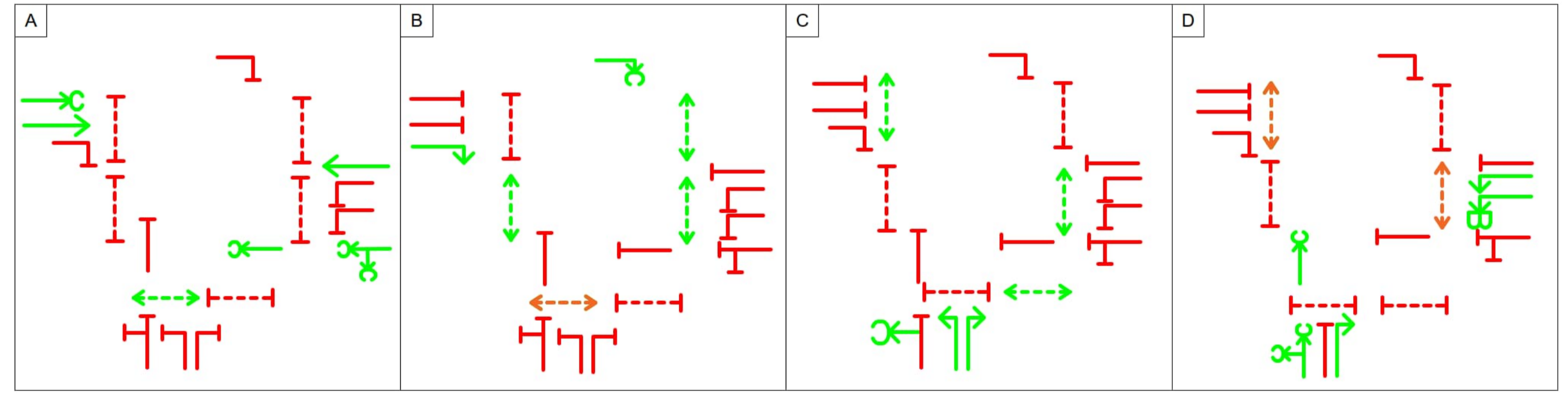


SCALE 1:250 @ A1; 1:500 @ A3



- LEGEND:**
- TRAFFIC SIGNAL HEADS:**
- RTS 001 PRIMARY
  - RTS 001 SECONDARY
  - RTS 002 PRIMARY
  - RTS 002 SECONDARY
  - RTS 003 (RUS 012) PRIMARY
  - RTS 003 (RUS 012) SECONDARY
  - RTS 007 (LOW LEVEL) PRIMARY
  - RPC 004 PEDESTRIAN HEAD
- TRAFFIC SIGNAL EQUIPMENT:**
- POLE (STANDARD HEIGHT)
  - TALL POLE (CCTV/TRAFFIC SIGNALS)
  - POLE NUMBER
  - PUSH BUTTON UNIT
  - PAN / TILT / ZOOM CCTV CAMERA
- GENERAL:**
- SITE BOUNDARY LINE
  - TEMPORARY LAND ACQUISITION

**INDICATIVE METHOD OF CONTROL**



**Disclaimer**

a. © National Transport Authority (NTA) 2022. This drawing is confidential and the copyright in it is owned by NTA. This drawing must not be either loaned, copied or otherwise reproduced in whole or in part or used for any purpose without the prior permission of NTA.

b. This drawing is to be used for the design element identified in the titlebox. Other information shown is to be considered indicative only. The drawing is to be read in conjunction with all other relevant design drawings.

c. O.S. data used for plans are printed under © Ordnance Survey Ireland Government of Ireland. All rights reserved. Licence Number 2022/OSI\_NMA\_180 National Transport Authority. All elevations are in metres and relate to OSI Geoid Model (OSGM15) Mean Head. All Co-ordinates are in Irish Transverse Mercator Grid (ITM) as defined by OSI active local GPS station.

d. Information concerning the position of apparatus shown on this drawing is based on drawings supplied by the utility owners and/or the utility works contractor, whilst every care has been taken in the preparation of this drawing, positions should be taken as approximate and are intended for general guidance only and no representation is made by the NTA as to the accuracy, completeness, sufficiency or otherwise of this drawing and the position of the apparatus. The information contained herein does not purport to be comprehensive or final as the apparatus is subject to being altered and/or superceded. Recipients should not rely on this information. Any liabilities are hereby expressly disclaimed.

e. The information contained herein has been provided by the NTA but does not purport to be comprehensive or final. Recipients should not rely on the information. Neither the NTA nor any of its directors, officers, employees, agents, stakeholders or advisers make any representation or warranty as to, or accept any liability or responsibility in relation to, the adequacy, accuracy, reasonableness or completeness of the information provided as part of this document or any matter on which the information is based (including but not limited to loss or damage arising as a result of reliance by recipients on the information or any part of it). Any liabilities are hereby expressly disclaimed.

Rev	Date	Drn	Chk'd	App'd	Description
M01	13/05/2022	DS	EE	SMG	ISSUE FOR PHASE 4 : PLANNING

Client

Engineering Designer

Programme Title					<b>BUSCONNECTS DUBLIN</b>
Drawing Title					<b>CORE BUS CORRIDORS INFRASTRUCTURE WORKS</b>
Drawing File Name					BALLYMUN / FINGLAS TO CITY CENTRE CORE BUS CORRIDOR SCHEME JUNCTION SYSTEM DESIGN ST. MARGARET'S ROAD / BALLYMUN ROAD
Date	Scale	Drawn	Checked	Approved	
13/05/2022	1:250 @ A1 1:500 @ A3	DS	EE	SMG	
Programme Code	Originator Code	QMS Code			
BCIDD	ROT				
Sheet Number	Status	Rev			
01 of 38	A	M01			

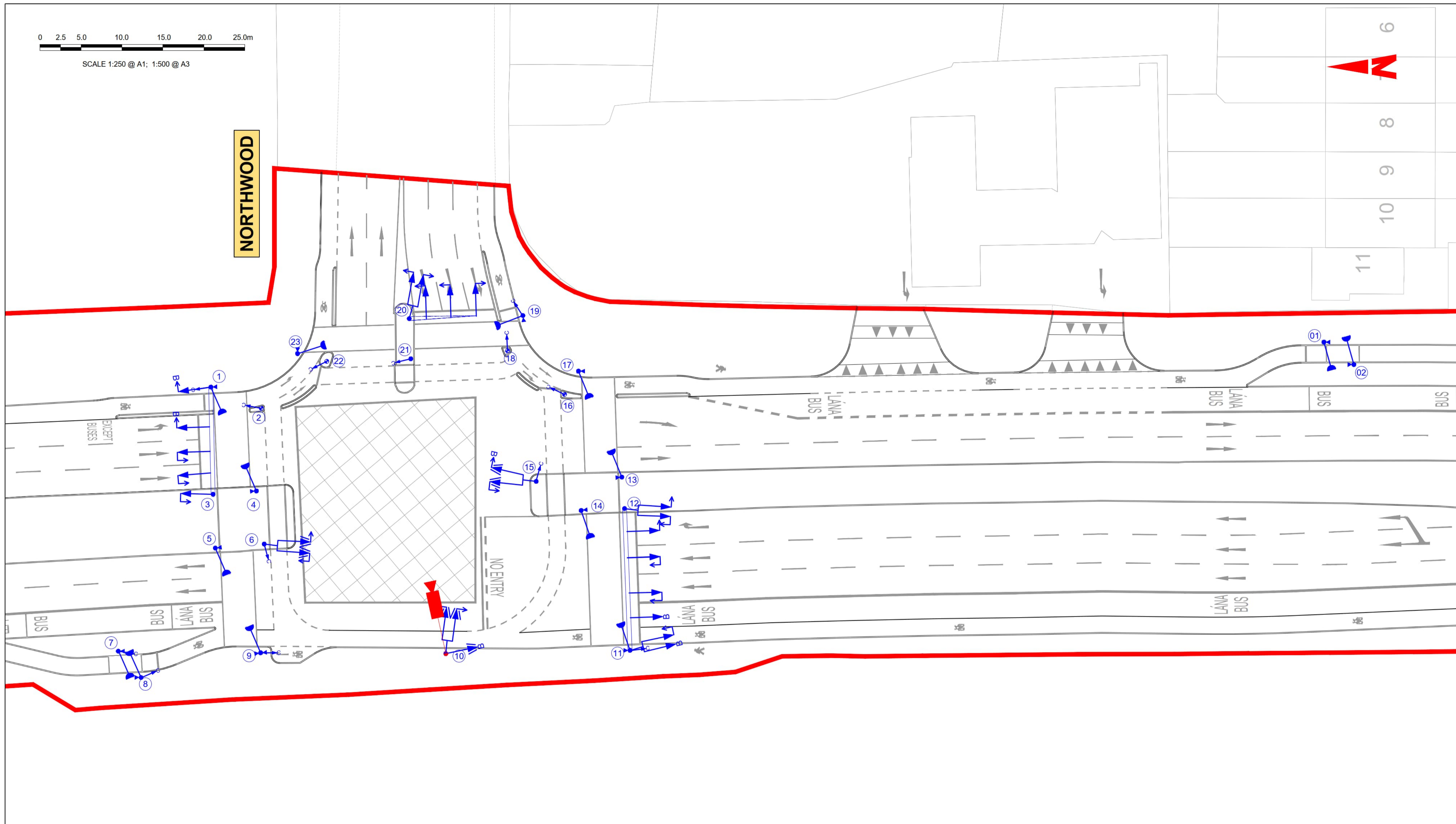
DO NOT SCALE USE FIGURED DIMENSIONS ONLY



0 2.5 5.0 10.0 15.0 20.0 25.0m

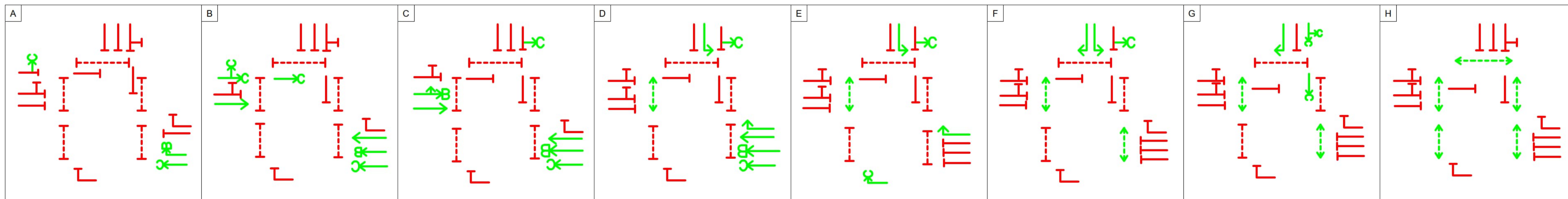
SCALE 1:250 @ A1; 1:500 @ A3

NORTHWOOD



- LEGEND:**
- TRAFFIC SIGNAL HEADS:**
- RTS 001 PRIMARY
  - RTS 001 SECONDARY
  - RTS 002 PRIMARY
  - RTS 002 SECONDARY
  - RTS 003 (RUS 012) PRIMARY
  - RTS 003 (RUS 012) SECONDARY
  - RTS 007 (LOW LEVEL) PRIMARY
  - RPC 004 PEDESTRIAN HEAD
- TRAFFIC SIGNAL EQUIPMENT:**
- POLE (STANDARD HEIGHT)
  - TALL POLE (CCTV/TRAFFIC SIGNALS)
  - POLE NUMBER
  - PUSH BUTTON UNIT
  - PAN / TILT / ZOOM CCTV CAMERA
- GENERAL:**
- SITE BOUNDARY LINE
  - TEMPORARY LAND ACQUISITION

**METHOD OF CONTROL**



**Disclaimer**

a. © National Transport Authority (NTA) 2022. This drawing is confidential and the copyright in it is owned by NTA. This drawing must not be either loaned, copied or otherwise reproduced in whole or in part or used for any purpose without the prior permission of NTA.

b. This drawing is to be used for the design element identified in the titlebox. Other information shown is to be considered indicative only. The drawing is to be read in conjunction with all other relevant design drawings.

c. O.S. data used for plans are printed under © Ordnance Survey Ireland Government of Ireland. All rights reserved. Licence Number 2022/OSI\_NMA\_180 National Transport Authority. All elevations are in metres and relate to OSI Geoid Model (OSGM15) Mean Head. All Co-ordinates are in Irish Transverse Mercator Grid (ITM) as defined by OSI active local GPS station.

d. Information concerning the position of apparatus shown on this drawing is based on drawings supplied by the utility owners and/or the utility works contractor, whilst every care has been taken in the preparation of this drawing, positions should be taken as approximate and are intended for general guidance only and no representation is made by the NTA as to the accuracy, completeness, sufficiency or otherwise of this drawing and the position of the apparatus. The information contained herein does not purport to be comprehensive or final as the apparatus is subject to being altered and/or superseded. Recipients should not rely on this information. Any liabilities are hereby expressly disclaimed.

e. The information contained herein has been provided by the NTA but does not purport to be comprehensive or final. Recipients should not rely on the information. Neither the NTA nor any of its directors, officers, employees, agents, stakeholders or advisers make any representation or warranty as to, or accept any liability or responsibility in relation to, the adequacy, accuracy, reasonableness or completeness of the information provided as part of this document or any matter on which the information is based (including but not limited to loss or damage arising as a result of reliance by recipients on the information or any part of it). Any liabilities are hereby expressly disclaimed.



Rev	Date	Drm	Chk'd	App'd	Description
M01	13/05/2022	DS	EE	SMG	ISSUE FOR PHASE 4 : PLANNING

Client

Engineering Designer

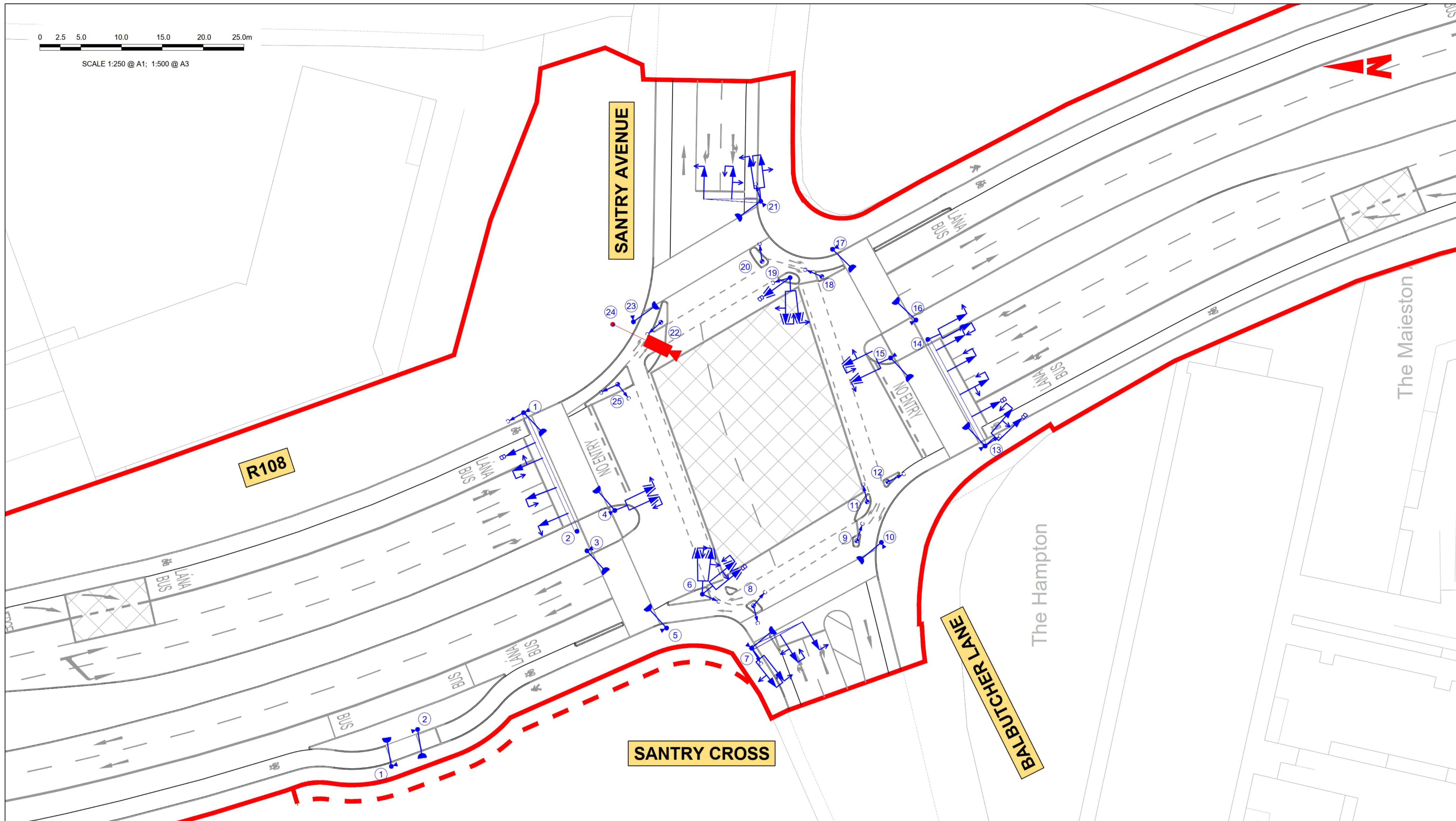
Programme Title		<b>BUSCONNECTS DUBLIN</b>	
		<b>CORE BUS CORRIDORS INFRASTRUCTURE WORKS</b>	
Drawing Title			
BALLYMUN / FINGLAS TO CITY CENTRE CORE BUS CORRIDOR SCHEME			
JUNCTION SYSTEM DESIGN			
NORTHWOOD AVENUE / BALLYMUN ROAD			
Drawing File Name	Sheet Number	Status	Rev
BCIDD-ROT-TSM_SJ-0304_XX_00-DR-CR-0002	02 of 38	A	M01

DO NOT SCALE USE FIGURED DIMENSIONS ONLY



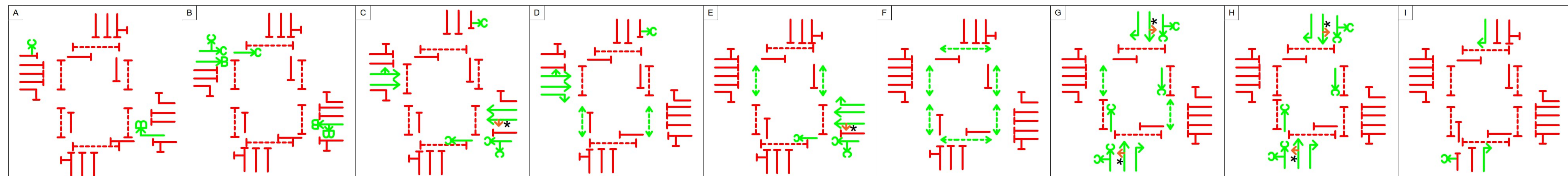


SCALE 1:250 @ A1; 1:500 @ A3



- LEGEND:**
- TRAFFIC SIGNAL HEADS:**
- RTS 001 PRIMARY
  - RTS 001 SECONDARY
  - RTS 002 PRIMARY
  - RTS 002 SECONDARY
  - RTS 003 (RUS 012) PRIMARY
  - RTS 003 (RUS 012) SECONDARY
  - RTS 007 (LOW LEVEL) PRIMARY
  - RPC 004 PEDESTRIAN HEAD
- TRAFFIC SIGNAL EQUIPMENT:**
- POLE (STANDARD HEIGHT)
  - TALL POLE (CCTV/TRAFFIC SIGNALS)
  - POLE NUMBER
  - PUSH BUTTON UNIT
  - PAN / TILT / ZOOM CCTV CAMERA
- GENERAL:**
- SITE BOUNDARY LINE
  - TEMPORARY LAND ACQUISITION

INDICATIVE METHOD OF CONTROL



\* DENOTES FLASHING AMBER

**Disclaimer**

a. © National Transport Authority (NTA) 2022. This drawing is confidential and the copyright in it is owned by NTA. This drawing must not be either loaned, copied or otherwise reproduced in whole or in part or used for any purpose without the prior permission of NTA.

b. This drawing is to be used for the design element identified in the titlebox. Other information shown is to be considered indicative only. The drawing is to be read in conjunction with all other relevant design drawings.

c. O.S. data used for plans are printed under © Ordnance Survey Ireland Government of Ireland. All rights reserved. Licence Number 2022/OSI\_NMA\_180 National Transport Authority. All elevations are in metres and relate to OSI Geoid Model (OSGM15) Mean Head. All Co-ordinates are in Irish Transverse Mercator Grid (ITM) as defined by OSI active local GPS station.

d. Information concerning the position of apparatus shown on this drawing is based on drawings supplied by the utility owners and/or the utility works contractor, whilst every care has been taken in the preparation of this drawing, positions should be taken as approximate and are intended for general guidance only and no representation is made by the NTA as to the accuracy, completeness, sufficiency or otherwise of this drawing and the position of the apparatus. The information contained herein does not purport to be comprehensive or final as the apparatus is subject to being altered and/or superceded. Recipients should not rely on this information. Any liabilities are hereby expressly disclaimed.

e. The information contained herein has been provided by the NTA but does not purport to be comprehensive or final. Recipients should not rely on the information. Neither the NTA nor any of its directors, officers, employees, agents, stakeholders or advisers make any representation or warranty as to, or accept any liability or responsibility in relation to, the adequacy, accuracy, reasonableness or completeness of the information provided as part of this document or any matter on which the information is based (including but not limited to loss or damage arising as a result of reliance by recipients on the information or any part of it). Any liabilities are hereby expressly disclaimed.

Project Ireland 2040  
Building Ireland's Future

Rev	Date	Drn	Chk'd	App'd	Description
M01	13/05/2022	DS	EE	SMG	ISSUE FOR PHASE 4 : PLANNING

Client

Údarás Náisiúnta Iompair  
National Transport Authority

Engineering Designer

Date	Scale	Drawn	Checked	Approved
13/05/2022	1:250 @ A1 1:500 @ A3	DS	EE	SMG
Programme Code	Originator Code	QMS Code		
BCIDD	ROT			

Programme Title

**BUSCONNECTS DUBLIN**  
**CORE BUS CORRIDORS INFRASTRUCTURE WORKS**

Drawing Title

BALLYMUN / FINGLAS TO CITY CENTRE CORE BUS CORRIDOR SCHEME  
JUNCTION SYSTEM DESIGN  
SANTRY AVENUE / BALLYMUN ROAD

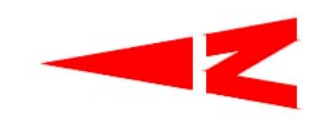
Drawing File Name	Sheet Number	Status	Rev
BCIDD-ROT-TSM_SJ-0304_XX_00-DR-CR-0003	03 of 38	A	M01

DO NOT SCALE USE FIGURED DIMENSIONS ONLY



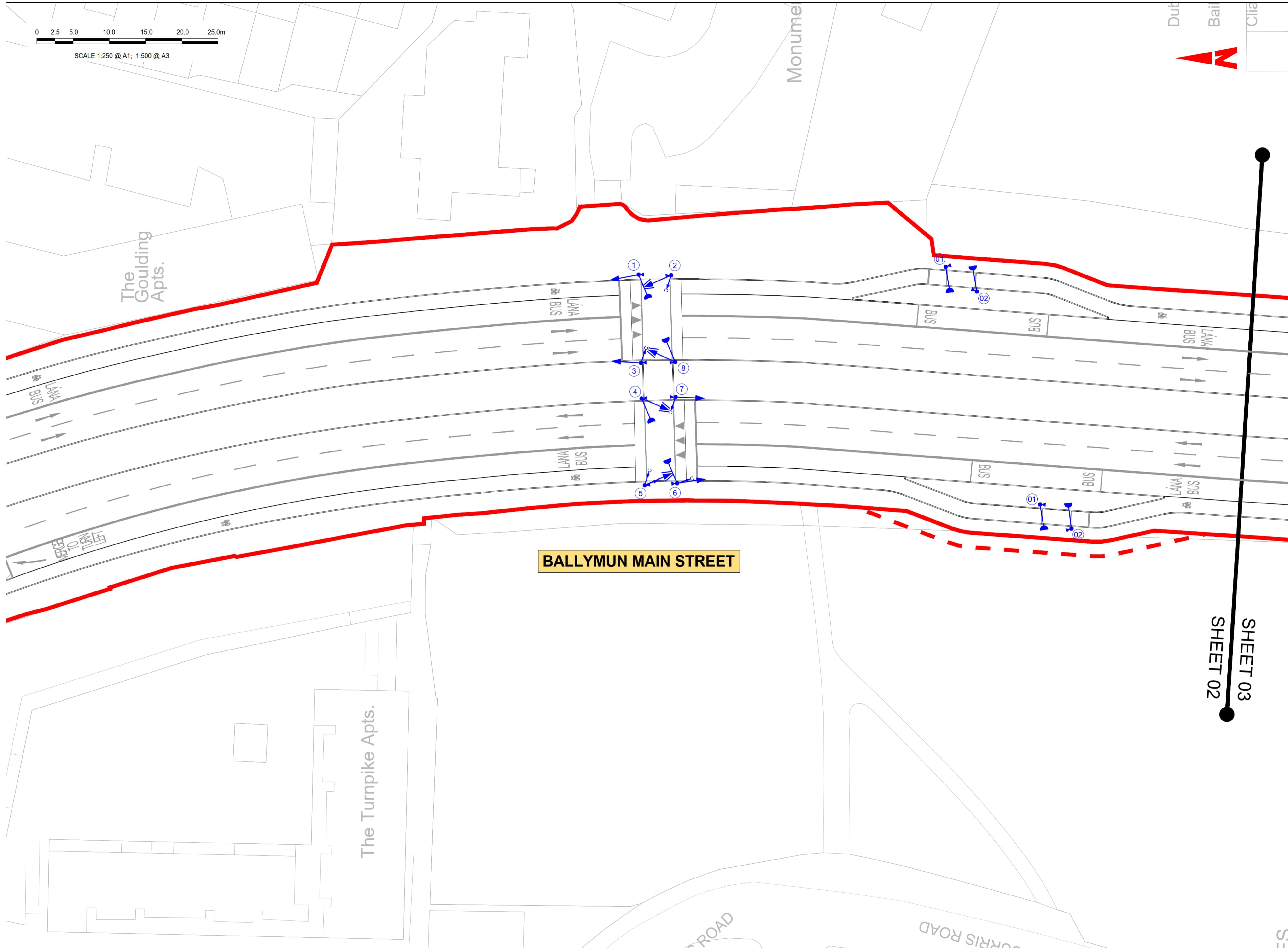


SCALE 1:250 @ A1; 1:500 @ A3



LEGEND:

- TRAFFIC SIGNAL HEADS:**
- RTS 001 PRIMARY
  - RTS 001 SECONDARY
  - RTS 002 PRIMARY
  - RTS 002 SECONDARY
  - RTS 003 (RUS 012) PRIMARY
  - RTS 003 (RUS 012) SECONDARY
  - RTS 007 (LOW LEVEL) PRIMARY
  - RPC 004 PEDESTRIAN HEAD
- TRAFFIC SIGNAL EQUIPMENT:**
- POLE (STANDARD HEIGHT)
  - TALL POLE (CCTV/TRAFFIC SIGNALS)
  - POLE NUMBER
  - PUSH BUTTON UNIT
  - PAN / TILT / ZOOM CCTV CAMERA
- GENERAL:**
- SITE BOUNDARY LINE
  - TEMPORARY LAND ACQUISITION



**BALLYMUN MAIN STREET**

SHEET 02  
SHEET 03

**Disclaimer**

a. © National Transport Authority (NTA) 2022. This drawing is confidential and the copyright in it is owned by NTA. This drawing must not be either loaned, copied or otherwise reproduced in whole or in part or used for any purpose without the prior permission of NTA.

b. This drawing is to be used for the design element identified in the titlebox. Other information shown is to be considered indicative only. The drawing is to be read in conjunction with all other relevant design drawings.

c. O.S. data used for plans are printed under © Ordnance Survey Ireland Government of Ireland. All rights reserved. Licence Number 2022/OSI\_NMA\_180 National Transport Authority. All elevations are in metres and relate to OSI Geoid Model (OSGM15) Mean Head. All Co-ordinates are in Irish Transverse Mercator Grid (ITM) as defined by OSI active local GPS station.

d. Information concerning the position of apparatus shown on this drawing is based on drawings supplied by the utility owners and/or the utility works contractor, whilst every care has been taken in the preparation of this drawing, positions should be taken as approximate and are intended for general guidance only and no representation is made by the NTA as to the accuracy, completeness, sufficiency or otherwise of this drawing and the position of the apparatus. The information contained herein does not purport to be comprehensive or final as the apparatus is subject to being altered and/or superceded. Recipients should not rely on this information. Any liabilities are hereby expressly disclaimed.

e. The information contained herein has been provided by the NTA but does not purport to be comprehensive or final. Recipients should not rely on the information. Neither the NTA nor any of its directors, officers, employees, agents, stakeholders or advisers make any representation or warranty as to, or accept any liability or responsibility in relation to, the adequacy, accuracy, reasonableness or completeness of the information provided as part of this document or any matter on which the information is based (including but not limited to loss or damage arising as a result of reliance by recipients on the information or any part of it). Any liabilities are hereby expressly disclaimed.



Rev	Date	Drm	Chk'd	App'd	Description
M01	13/05/2022	DS	EE	SMG	ISSUE FOR PHASE 4 : PLANNING

Client <b>NTA</b> Údarás Náisiúnta Iompair National Transport Authority		Engineering Designer <b>FIROD</b> TYPSA		
Date 13/05/2022	Scale 1:250 @ A1 1:500 @ A3	Drawn DS	Checked EE	Approved SMG
Programme Code BCIDD	Originator Code ROT	QMS Code		

Programme Title <b>BUSCONNECTS DUBLIN CORE BUS CORRIDORS INFRASTRUCTURE WORKS</b>				
Drawing Title BALLYMUN / FINGLAS TO CITY CENTRE CORE BUS CORRIDOR SCHEME JUNCTION SYSTEM DESIGN TOUCAN CROSSING				
Drawing File Name BCIDD-ROT-TSM_SJ-0304_XX_00-DR-CR-0004	Sheet Number 04 of 38	Status A	Rev M01	

DO NOT SCALE USE FIGURED DIMENSIONS ONLY



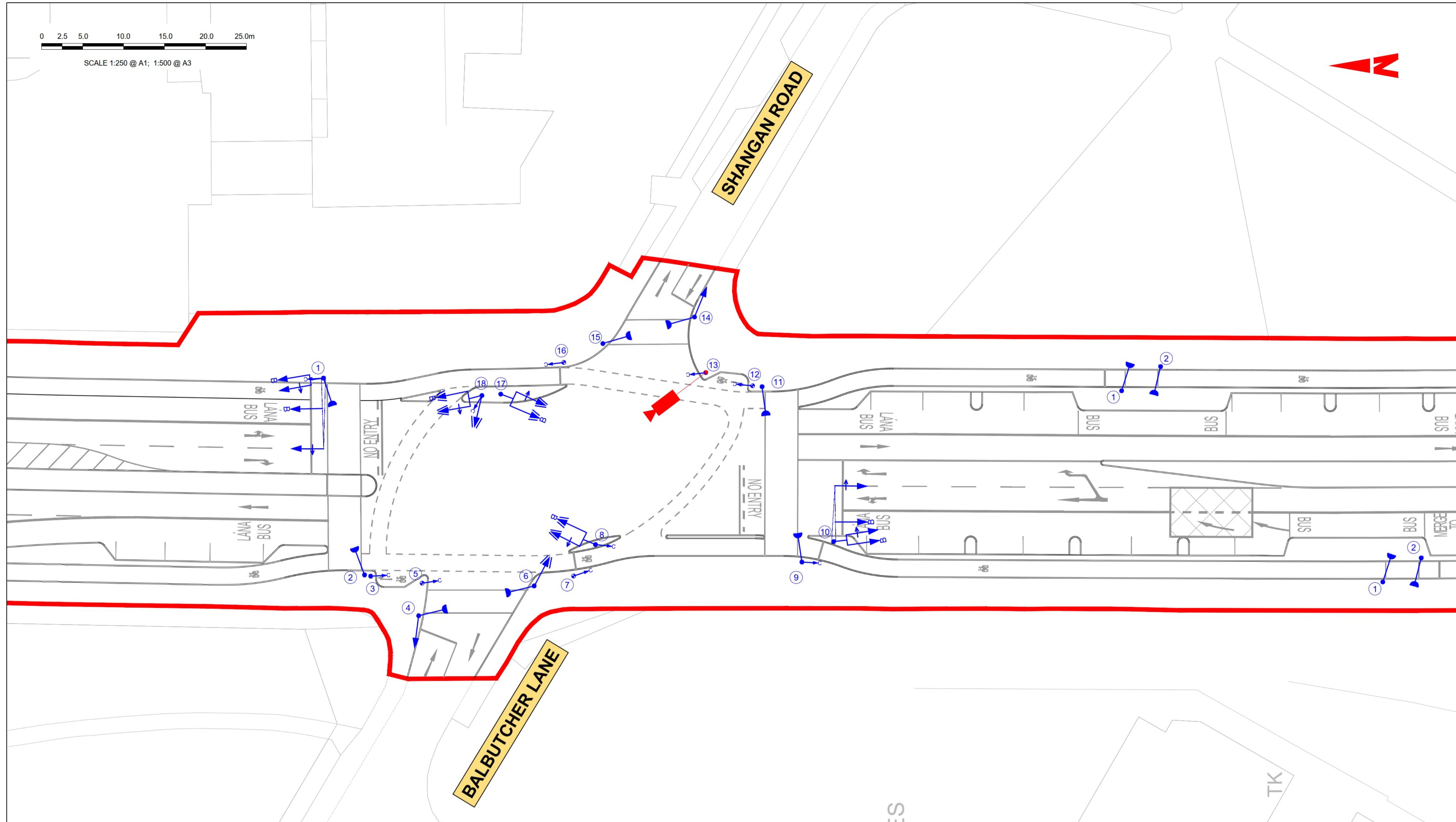
0 2.5 5.0 10.0 15.0 20.0 25.0m

SCALE 1:250 @ A1; 1:500 @ A3

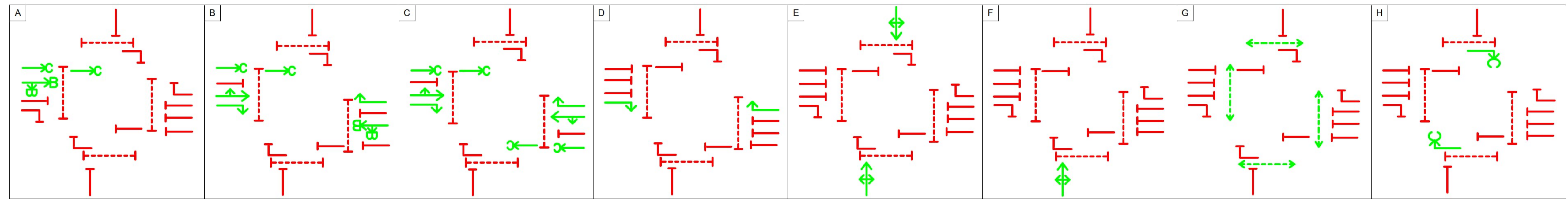


LEGEND:

- TRAFFIC SIGNAL HEADS:**
- RTS 001 PRIMARY
  - RTS 001 SECONDARY
  - RTS 002 PRIMARY
  - RTS 002 SECONDARY
  - RTS 003 (RUS 012) PRIMARY
  - RTS 003 (RUS 012) SECONDARY
  - RTS 007 (LOW LEVEL) PRIMARY
  - RPC 004 PEDESTRIAN HEAD
- TRAFFIC SIGNAL EQUIPMENT:**
- POLE (STANDARD HEIGHT)
  - TALL POLE (CCTV/TRAFFIC SIGNALS)
  - POLE NUMBER
  - PUSH BUTTON UNIT
  - PAN / TILT / ZOOM CCTV CAMERA
- GENERAL:**
- SITE BOUNDARY LINE
  - TEMPORARY LAND ACQUISITION



INDICATIVE METHOD OF CONTROL



**Disclaimer**

a. © National Transport Authority (NTA) 2022. This drawing is confidential and the copyright in it is owned by NTA. This drawing must not be either loaned, copied or otherwise reproduced in whole or in part or used for any purpose without the prior permission of NTA.

b. This drawing is to be used for the design element identified in the titlebox. Other information shown is to be considered indicative only. The drawing is to be read in conjunction with all other relevant design drawings.

c. O.S. data used for plans are printed under © Ordnance Survey Ireland Government of Ireland. All rights reserved. Licence Number 2022/OSI\_hMA\_180 National Transport Authority. All elevations are in metres and relate to OSI Geoid Model (OSGM15) Mean Head. All Co-ordinates are in Irish Transverse Mercator Grid (ITM) as defined by OSI active local GPS station.

d. Information concerning the position of apparatus shown on this drawing is based on drawings supplied by the utility owners and/or the utility works contractor, whilst every care has been taken in the preparation of this drawing, positions should be taken as approximate and are intended for general guidance only and no representation is made by the NTA as to the accuracy, completeness, sufficiency or otherwise of this drawing and the position of the apparatus. The information contained herein does not purport to be comprehensive or final as the apparatus is subject to being altered and/or superseded. Recipients should not rely on this information. Any liabilities are hereby expressly disclaimed.

e. The information contained herein has been provided by the NTA but does not purport to be comprehensive or final. Recipients should not rely on the information. Neither the NTA nor any of its directors, officers, employees, agents, stakeholders or advisers make any representation or warranty as to, or accept any liability or responsibility in relation to, the adequacy, accuracy, reasonableness or completeness of the information provided as part of this document or any matter on which the information is based (including but not limited to loss or damage arising as a result of reliance by recipients on the information or any part of it). Any liabilities are hereby expressly disclaimed.

Rev	Date	Drn	Chk'd	App'd	Description
M01	13/05/2022	DS	EE	SMG	ISSUE FOR PHASE 4 : PLANNING

Client: **NTA**  
Údarás Náisiúnta Iompair  
National Transport Authority

Engineering Designer: **FIROD**  
TYPSA

Date: 13/05/2022  
Scale: 1:250 @ A1  
1:500 @ A3

Drawn: DS  
Checked: EE  
Approved: SMG

Programme Code: BCIDD  
Originator Code: ROT  
QMS Code:

Programme Title: **BUSCONNECTS DUBLIN**  
**CORE BUS CORRIDORS INFRASTRUCTURE WORKS**

Drawing Title: **BALLYMUN / FINGLAS TO CITY CENTRE CORE BUS CORRIDOR SCHEME**  
JUNCTION SYSTEM DESIGN  
SHANGNAN ROAD / BALLYMUN ROAD

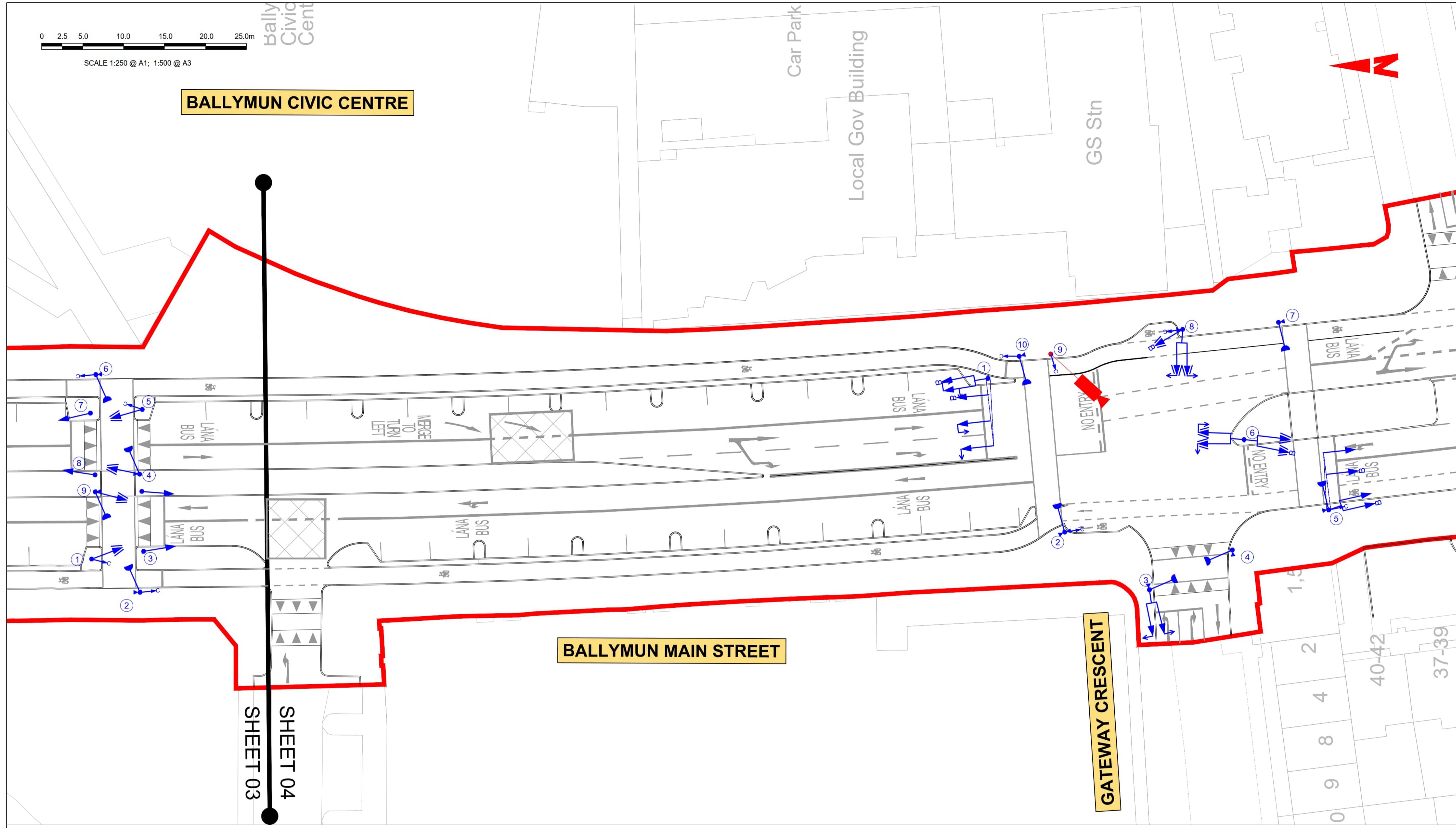
Drawing File Name: BCIDD-ROT-TSM\_SJ-0304\_XX\_00-DR-CR-0005  
Sheet Number: 05 of 38  
Status: A  
Rev: M01





SCALE 1:250 @ A1; 1:500 @ A3

**BALLYMUN CIVIC CENTRE**



**LEGEND:**

**TRAFFIC SIGNAL HEADS:**

- RTS 001 PRIMARY
- RTS 001 SECONDARY
- RTS 002 PRIMARY
- RTS 002 SECONDARY
- RTS 003 (RUS 012) PRIMARY
- RTS 003 (RUS 012) SECONDARY
- RTS 007 (LOW LEVEL) PRIMARY
- RPC 004 PEDESTRIAN HEAD

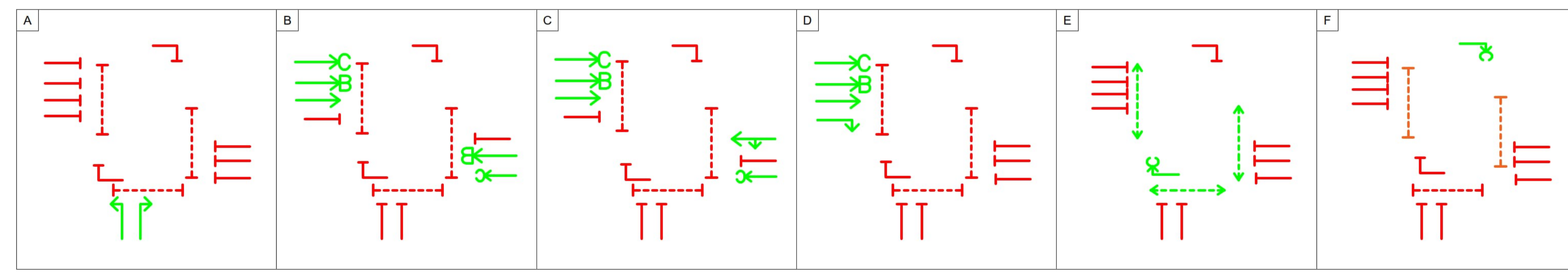
**TRAFFIC SIGNAL EQUIPMENT:**

- POLE (STANDARD HEIGHT)
- TALL POLE (CCTV/TRAFFIC SIGNALS)
- POLE NUMBER
- PUSH BUTTON UNIT
- PAN / TILT / ZOOM CCTV CAMERA

**GENERAL:**

- SITE BOUNDARY LINE
- TEMPORARY LAND ACQUISITION

**INDICATIVE METHOD OF CONTROL**



**Disclaimer**

a. © National Transport Authority (NTA) 2022. This drawing is confidential and the copyright in it is owned by NTA. This drawing must not be either loaned, copied or otherwise reproduced in whole or in part or used for any purpose without the prior permission of NTA.

b. This drawing is to be used for the design element identified in the titlebox. Other information shown is to be considered indicative only. The drawing is to be read in conjunction with all other relevant design drawings.

c. O.S. data used for plans are printed under © Ordnance Survey Ireland Government of Ireland. All rights reserved. Licence Number 2022/OSI\_hMA\_180 National Transport Authority. All elevations are in metres and relate to OSI Geoid Model (OSGM15) Mean Head. All Co-ordinates are in Irish Transverse Mercator Grid (ITM) as defined by OSI active local GPS station.

d. Information concerning the position of apparatus shown on this drawing is based on drawings supplied by the utility owners and/or the utility works contractor, whilst every care has been taken in the preparation of this drawing, positions should be taken as approximate and are intended for general guidance only and no representation is made by the NTA as to the accuracy, completeness, sufficiency or otherwise of this drawing and the position of the apparatus. The information contained herein does not purport to be comprehensive or final as the apparatus is subject to being altered and/or superseded. Recipients should not rely on this information. Any liabilities are hereby expressly disclaimed.

e. The information contained herein has been provided by the NTA but does not purport to be comprehensive or final. Recipients should not rely on the information. Neither the NTA nor any of its directors, officers, employees, agents, stakeholders or advisers make any representation or warranty as to, or accept any liability or responsibility in relation to, the adequacy, accuracy, reasonableness or completeness of the information provided as part of this document or any matter on which the information is based (including but not limited to loss or damage arising as a result of reliance by recipients on the information or any part of it). Any liabilities are hereby expressly disclaimed.

Rev	Date	Drn	Chk'd	App'd	Description
M01	13/05/2022	DS	EE	SMG	ISSUE FOR PHASE 4 : PLANNING

Client: **NTA**  
Údarás Náisiúnta Iompair  
National Transport Authority

Engineering Designer: **FIROD**  
TYPSA

Date: 13/05/2022 | Scale: 1:250 @ A1, 1:500 @ A3 | Drawn: DS | Checked: EE | Approved: SMG

Programme Code: BCIDD | Originator Code: ROT | QMS Code:

Programme Title: **BUSCONNECTS DUBLIN**  
**CORE BUS CORRIDORS INFRASTRUCTURE WORKS**

Drawing Title: **BALLYMUN / FINGLAS TO CITY CENTRE CORE BUS CORRIDOR SCHEME**  
JUNCTION SYSTEM DESIGN  
GATEWAY CRESCENT / BALLYMUN ROAD

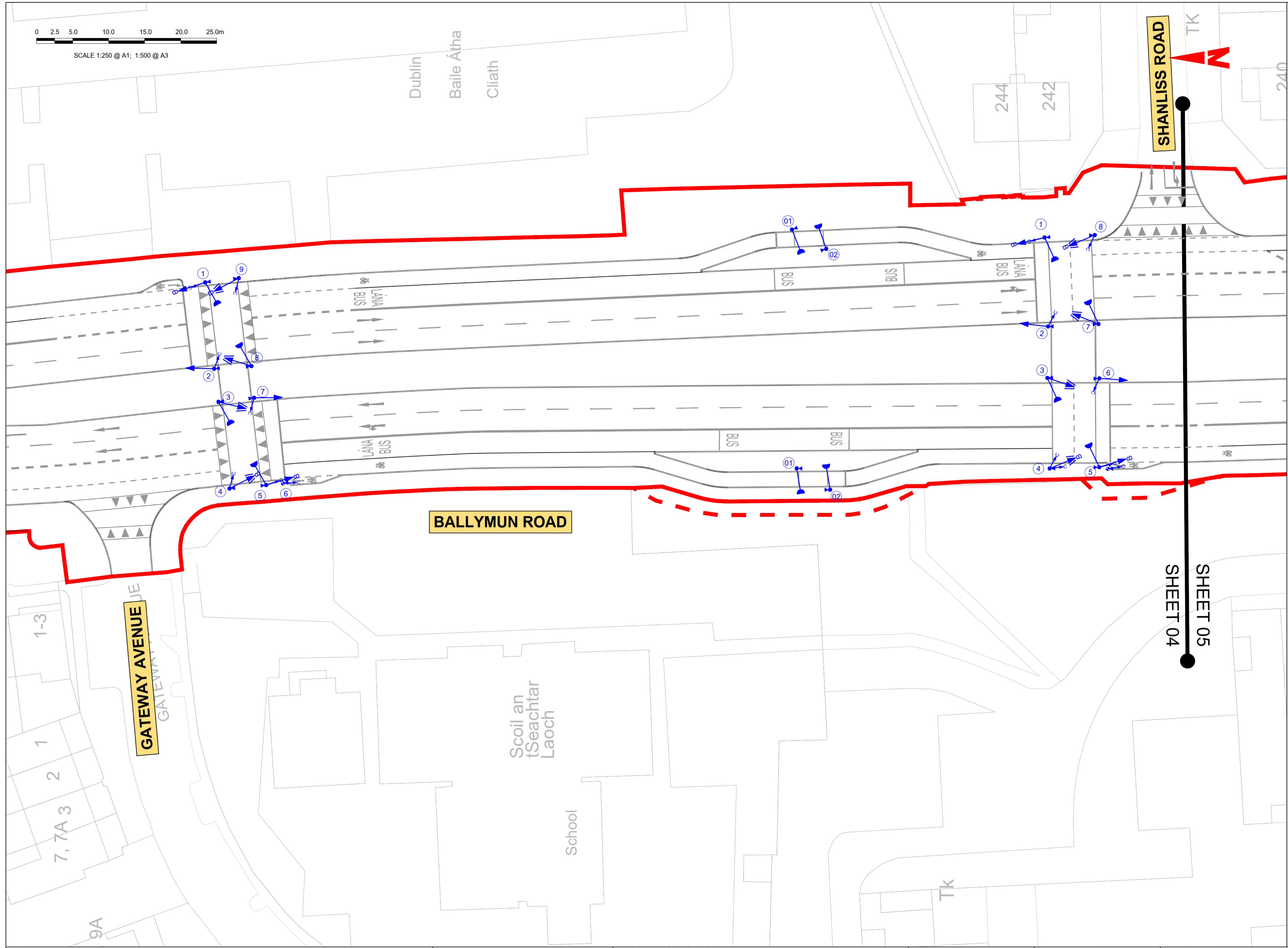
Drawing File Name: BCIDD-ROT-TSM\_SJ-0304\_XX\_00-DR-CR-0006 | Sheet Number: 06 of 38 | Status: A | Rev: M01





SCALE 1:250 @ A1; 1:500 @ A3

Dublin  
Baile Átha  
Cliath



**LEGEND:**

**TRAFFIC SIGNAL HEADS:**

- RTS 001 PRIMARY
- RTS 001 SECONDARY
- RTS 002 PRIMARY
- RTS 002 SECONDARY
- RTS 003 (RUS 012) PRIMARY
- RTS 003 (RUS 012) SECONDARY
- RTS 007 (LOW LEVEL) PRIMARY
- RPC 004 PEDESTRIAN HEAD

**TRAFFIC SIGNAL EQUIPMENT:**

- POLE (STANDARD HEIGHT)
- TALL POLE (CCTV/TRAFFIC SIGNALS)
- POLE NUMBER
- PUSH BUTTON UNIT
- PAN / TILT / ZOOM CCTV CAMERA

**GENERAL:**

- SITE BOUNDARY LINE
- TEMPORARY LAND ACQUISITION

SHEET 04  
SHEET 05

**Disclaimer**  
a. © National Transport Authority (NTA) 2022. This drawing is confidential and the copyright in it is owned by NTA. This drawing must not be either loaned, copied or otherwise reproduced in whole or in part or used for any purpose without the prior permission of NTA.  
b. This drawing is to be used for the design element identified in the titlebox. Other information shown is to be considered indicative only. The drawing is to be read in conjunction with all other relevant design drawings.  
c. O.S. data used for plans are printed under © Ordnance Survey Ireland Government of Ireland. All rights reserved. Licence Number 2022/OSI\_NMA\_180 National Transport Authority. All elevations are in metres and relate to OSI Geoid Model (OSGM15) Mean Head. All Co-ordinates are in Irish

Transverse Mercator Grid (ITM) as defined by OSI active local GPS station.  
Information concerning the position of apparatus shown on this drawing is based on drawings supplied by the utility owners and/or the utility works contractor, whilst every care has been taken in the preparation of this drawing, positions should be taken as approximate and are intended for general guidance only and no representation is made by the NTA as to the accuracy, completeness, sufficiency or otherwise of this drawing and the position of the apparatus. The information contained herein does not purport to be comprehensive or final as the apparatus is subject to being altered and/or superceded. Recipients should not rely on this information. Any liabilities are hereby expressly disclaimed.

The information contained herein has been provided by the NTA but does not purport to be comprehensive or final. Recipients should not rely on the information. Neither the NTA nor any of its directors, officers, employees, agents, stakeholders or advisers make any representation or warranty as to, or accept any liability or responsibility in relation to, the adequacy, accuracy, reasonableness or completeness of the information provided as part of this document or any matter on which the information is based (including but not limited to loss or damage arising as a result of reliance by recipients on the information or any part of it). Any liabilities are hereby expressly disclaimed.



Rev	Date	Drm	Chk'd	App'd	Description
M01	13/05/2022	DS	EE	SMG	ISSUE FOR PHASE 4 : PLANNING

Client  
**NTA**  
Údarás Náisiúnta Iompair  
National Transport Authority

Engineering Designer  
**FIROD**  
TYPSA

Date	Scale	Drawn	Checked	Approved
13/05/2022	1:250 @ A1 1:500 @ A3	DS	EE	SMG

Programme Title  
**BUSCONNECTS DUBLIN  
CORE BUS CORRIDORS INFRASTRUCTURE WORKS**

Drawing Title  
BALLYMUN / FINGLAS TO CITY CENTRE CORE BUS CORRIDOR SCHEME  
JUNCTION SYSTEM DESIGN  
TOUCAN CROSSING

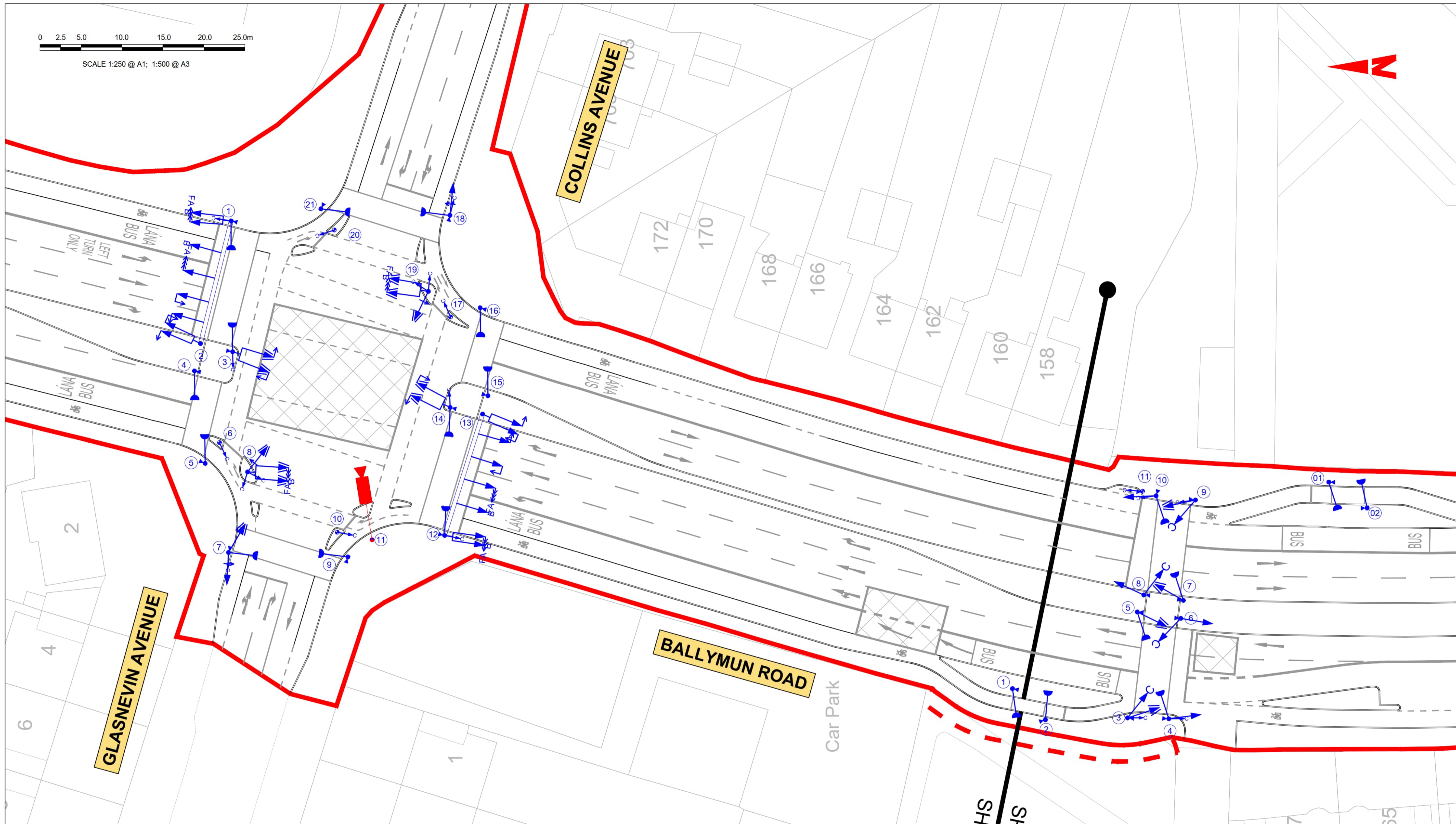
Drawing File Name	Sheet Number	Status	Rev
BCIDD-ROT-TSM_SJ-0304_XX_00-DR-CR-0007	07 of 38	A	M01

DO NOT SCALE USE FIGURED DIMENSIONS ONLY



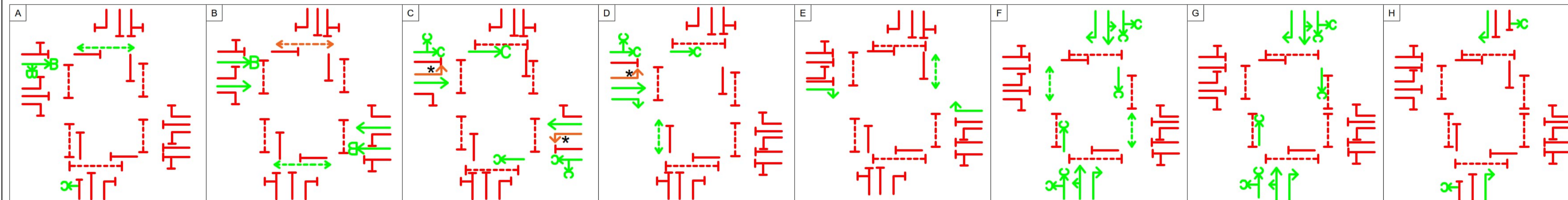
0 2.5 5.0 10.0 15.0 20.0 25.0m

SCALE 1:250 @ A1; 1:500 @ A3



- LEGEND:**
- TRAFFIC SIGNAL HEADS:**
- RTS 001 PRIMARY
  - RTS 001 SECONDARY
  - RTS 002 PRIMARY
  - RTS 002 SECONDARY
  - RTS 003 (RUS 012) PRIMARY
  - RTS 003 (RUS 012) SECONDARY
  - RTS 007 (LOW LEVEL) PRIMARY
  - RPC 004 PEDESTRIAN HEAD
- TRAFFIC SIGNAL EQUIPMENT:**
- POLE (STANDARD HEIGHT)
  - TALL POLE (CCTV/TRAFFIC SIGNALS)
  - POLE NUMBER
  - PUSH BUTTON UNIT
  - PAN / TILT / ZOOM CCTV CAMERA
- GENERAL:**
- SITE BOUNDARY LINE
  - TEMPORARY LAND ACQUISITION

INDICATIVE METHOD OF CONTROL



\* DENOTES FLASHING AMBER

**Disclaimer**

a. © National Transport Authority (NTA) 2022. This drawing is confidential and the copyright in it is owned by NTA. This drawing must not be either loaned, copied or otherwise reproduced in whole or in part or used for any purpose without the prior permission of NTA.

b. This drawing is to be used for the design element identified in the title block. Other information shown is to be considered indicative only. The drawing is to be read in conjunction with all other relevant design drawings.

c. O.S. data used for plans are printed under © Ordnance Survey Ireland Government of Ireland. All rights reserved. Licence Number 2022/OSI\_NMA\_180 National Transport Authority. All elevations are in metres and relate to OSI Geoid Model (OSGM15) Mean Head. All Co-ordinates are in Irish Transverse Mercator Grid (ITM) as defined by OSI active local GPS station.

d. Information concerning the position of apparatus shown on this drawing is based on drawings supplied by the utility owners and/or the utility works contractor, whilst every care has been taken in the preparation of this drawing, positions should be taken as approximate and are intended for general guidance only and no representation is made by the NTA as to the accuracy, completeness, sufficiency or otherwise of this drawing and the position of the apparatus. The information contained herein does not purport to be comprehensive or final as the apparatus is subject to being altered and/or superceded. Recipients should not rely on this information. Any liabilities are hereby expressly disclaimed.

e. The information contained herein has been provided by the NTA but does not purport to be comprehensive or final. Recipients should not rely on the information. Neither the NTA nor any of its directors, officers, employees, agents, stakeholders or advisers make any representation or warranty as to, or accept any liability or responsibility in relation to, the adequacy, accuracy, reasonableness or completeness of the information provided as part of this document or any matter on which the information is based (including but not limited to loss or damage arising as a result of reliance by recipients on the information or any part of it). Any liabilities are hereby expressly disclaimed.

Rev	Date	Drn	Chk'd	App'd	Description
M01	13/05/2022	DS	EE	SMG	ISSUE FOR PHASE 4 : PLANNING

Client: **NTA**  
Údarás Náisiúnta Iompair  
National Transport Authority

Engineering Designer: **CIROD**  
TYPSA

Date: 13/05/2022 | Scale: 1:250 @ A1, 1:500 @ A3 | Drawn: DS | Checked: EE | Approved: SMG

Programme Code: BCIDD | Originator Code: ROT | QMS Code:

Programme Title: **BUSCONNECTS DUBLIN**  
**CORE BUS CORRIDORS INFRASTRUCTURE WORKS**

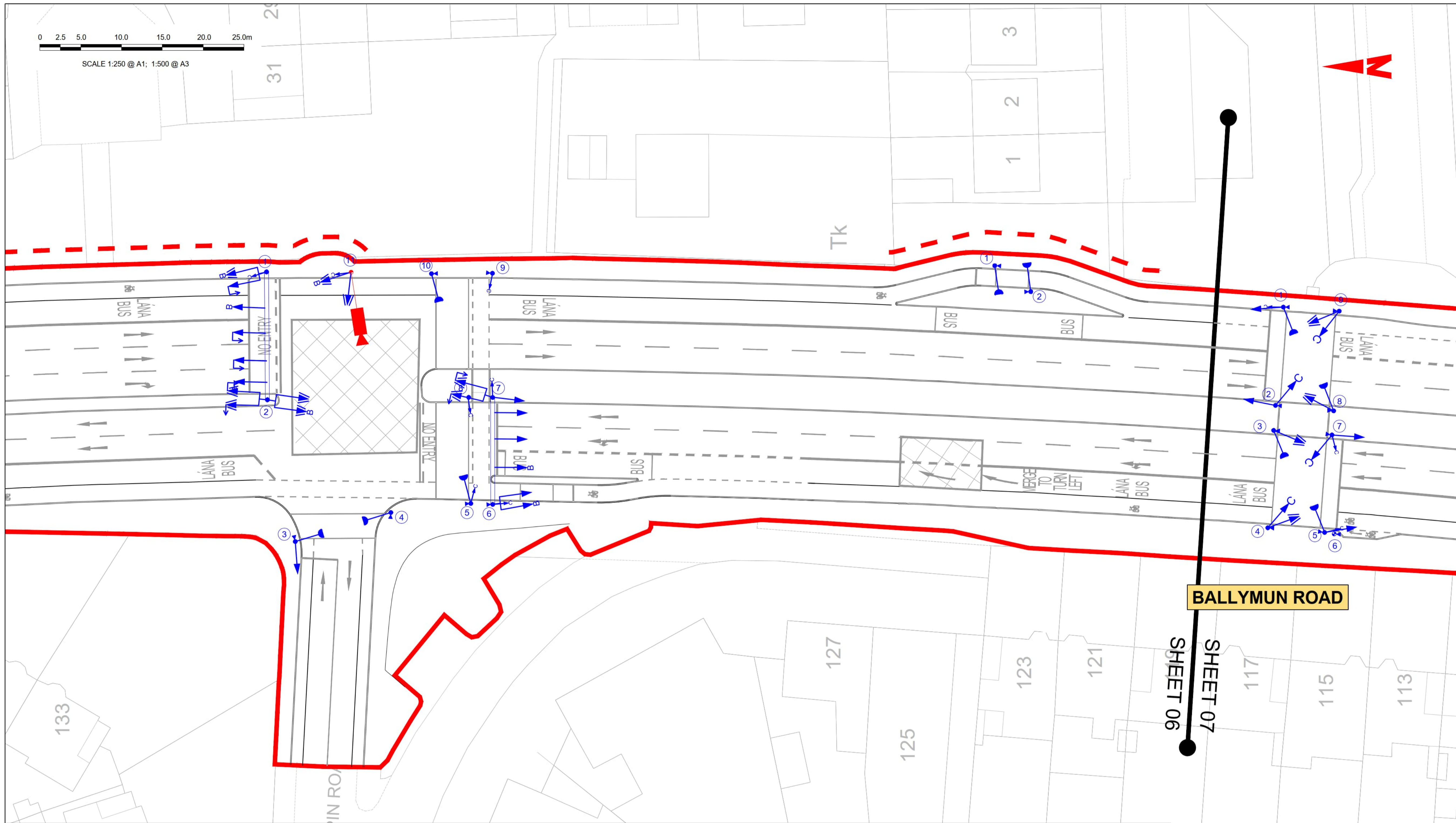
Drawing Title: BALLYMUN / FINGLAS TO CITY CENTRE CORE BUS CORRIDOR SCHEME  
JUNCTION SYSTEM DESIGN  
COLLINS AVENUE EXT / BALLYMUN ROAD

Drawing File Name: BCIDD-ROT-TSM\_SJ-0304\_XX\_00-DR-CR-0008 | Sheet Number: 08 of 38 | Status: A | Rev: M01



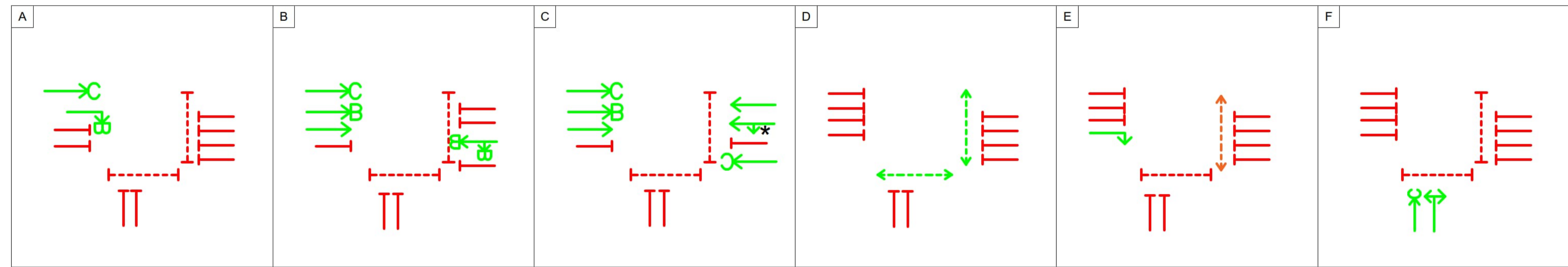


SCALE 1:250 @ A1; 1:500 @ A3



- LEGEND:**
- TRAFFIC SIGNAL HEADS:**
- RTS 001 PRIMARY
  - RTS 001 SECONDARY
  - RTS 002 PRIMARY
  - RTS 002 SECONDARY
  - RTS 003 (RUS 012) PRIMARY
  - RTS 003 (RUS 012) SECONDARY
  - RTS 007 (LOW LEVEL) PRIMARY
  - RPC 004 PEDESTRIAN HEAD
- TRAFFIC SIGNAL EQUIPMENT:**
- POLE (STANDARD HEIGHT)
  - TALL POLE (CCTV/TRAFFIC SIGNALS)
  - POLE NUMBER
  - PUSH BUTTON UNIT
  - PAN / TILT / ZOOM CCTV CAMERA
- GENERAL:**
- SITE BOUNDARY LINE
  - TEMPORARY LAND ACQUISITION

**INDICATIVE METHOD OF CONTROL**



**Disclaimer**

a. © National Transport Authority (NTA) 2022. This drawing is confidential and the copyright in it is owned by NTA. This drawing must not be either loaned, copied or otherwise reproduced in whole or in part or used for any purpose without the prior permission of NTA.

b. This drawing is to be used for the design element identified in the titlebox. Other information shown is to be considered indicative only. The drawing is to be read in conjunction with all other relevant design drawings.

c. O.S. data used for plans are printed under © Ordnance Survey Ireland Government of Ireland. All rights reserved. Licence Number 2022/OSI\_NMA\_180 National Transport Authority. All elevations are in metres and relate to OSI Geoid Model (OSGM15) Mean Head. All Co-ordinates are in Irish Transverse Mercator Grid (ITM) as defined by OSI active local GPS station.

d. Information concerning the position of apparatus shown on this drawing is based on drawings supplied by the utility owners and/or the utility works contractor, whilst every care has been taken in the preparation of this drawing, positions should be taken as approximate and are intended for general guidance only and no representation is made by the NTA as to the accuracy, completeness, sufficiency or otherwise of this drawing and the position of the apparatus. The information contained herein does not purport to be comprehensive or final as the apparatus is subject to being altered and/or superseded. Recipients should not rely on this information. Any liabilities are hereby expressly disclaimed.

e. The information contained herein has been provided by the NTA but does not purport to be comprehensive or final. Recipients should not rely on the information. Neither the NTA nor any of its directors, officers, employees, agents, stakeholders or advisers make any representation or warranty as to, or accept any liability or responsibility in relation to, the adequacy, accuracy, reasonableness or completeness of the information provided as part of this document or any matter on which the information is based (including but not limited to loss or damage arising as a result of reliance by recipients on the information or any part of it). Any liabilities are hereby expressly disclaimed.

Rev	Date	Drm	Chk'd	App'd	Description
M01	13/05/2022	DS	EE	SMG	ISSUE FOR PHASE 4 : PLANNING

Client: **NTA**  
Údarás Náisiúnta Iompair  
National Transport Authority

Date: 13/05/2022 Scale: 1:250 @ A1  
1:500 @ A3

Engineering Designer: **FIROD** (TYPSA)

Drawn: DS Checked: EE Approved: SMG

Programme Code: BCIDD Originator Code: ROT QMS Code:

Programme Title: **BUSCONNECTS DUBLIN**  
**CORE BUS CORRIDORS INFRASTRUCTURE WORKS**

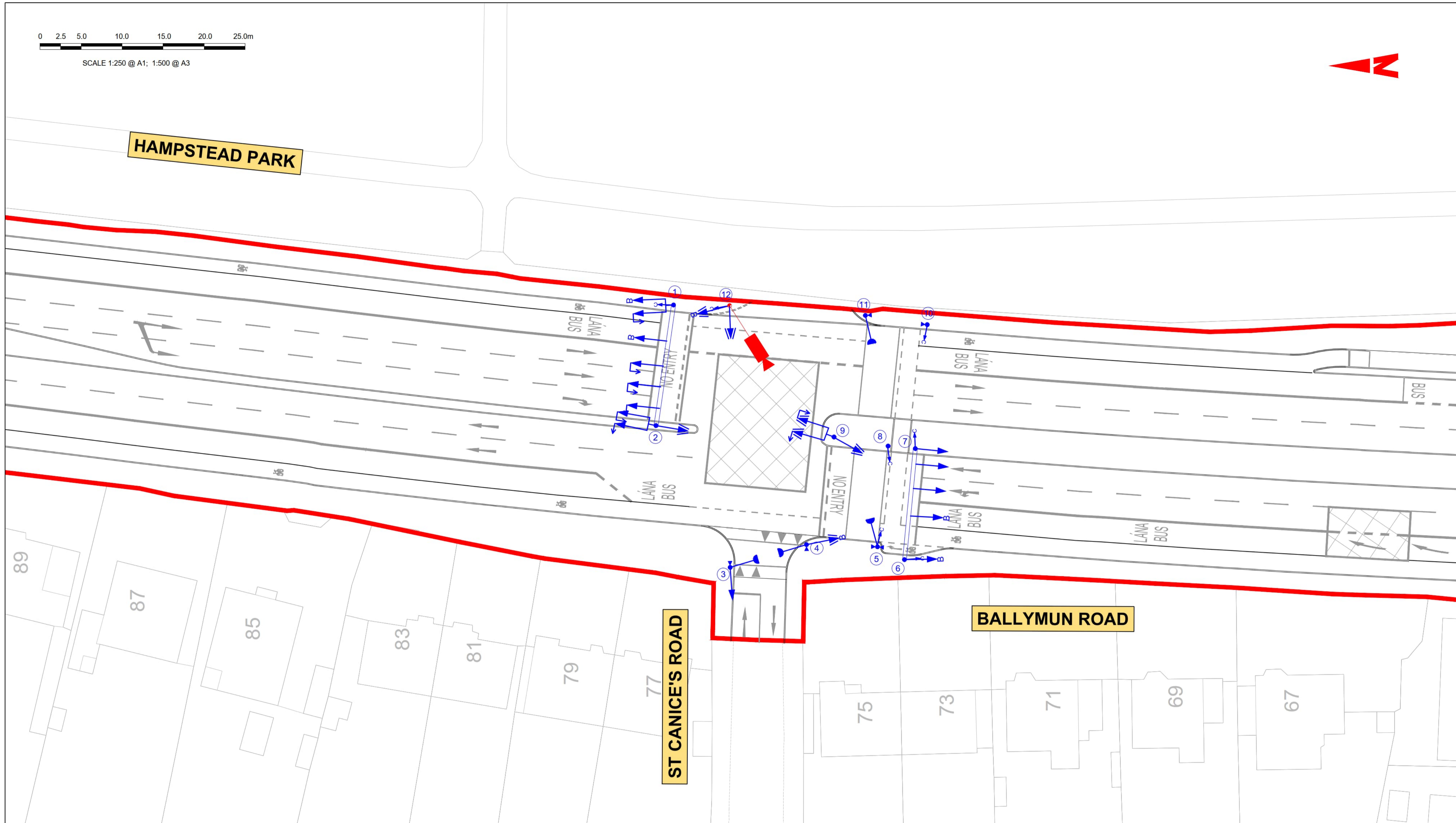
Drawing Title: **BALLYMUN / FINGLAS TO CITY CENTRE CORE BUS CORRIDOR SCHEME**  
JUNCTION SYSTEM DESIGN  
ST. PAPPIN ROAD / BALLYMUN ROAD

Drawing File Name: BCIDD-ROT-TSM\_SJ-0304\_XX\_00-DR-CR-0009 Sheet Number: 09 of 38 Status: A Rev: M01



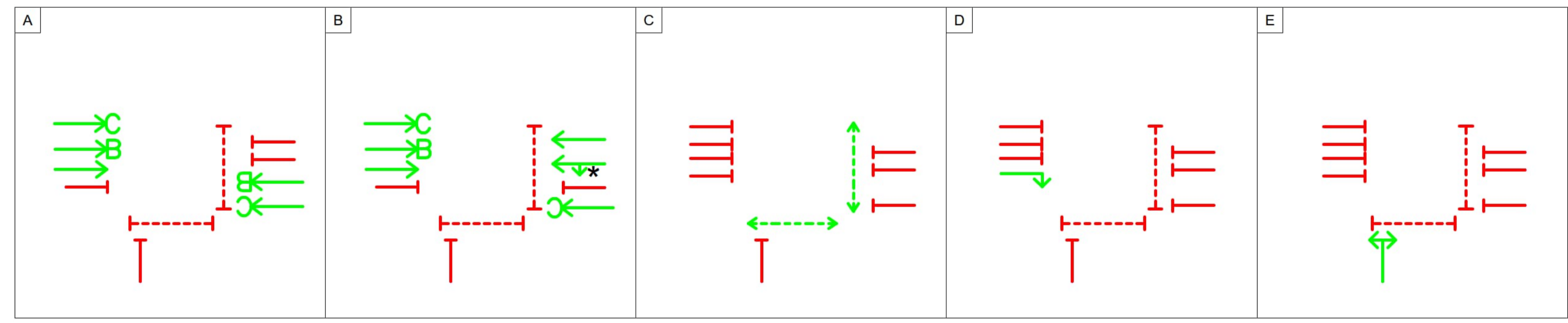


SCALE 1:250 @ A1; 1:500 @ A3



- LEGEND:**
- TRAFFIC SIGNAL HEADS:**
- RTS 001 PRIMARY
  - RTS 001 SECONDARY
  - RTS 002 PRIMARY
  - RTS 002 SECONDARY
  - RTS 003 (RUS 012) PRIMARY
  - RTS 003 (RUS 012) SECONDARY
  - RTS 007 (LOW LEVEL) PRIMARY
  - RPC 004 PEDESTRIAN HEAD
- TRAFFIC SIGNAL EQUIPMENT:**
- POLE (STANDARD HEIGHT)
  - TALL POLE (CCTV/TRAFFIC SIGNALS)
  - POLE NUMBER
  - PUSH BUTTON UNIT
  - PAN / TILT / ZOOM CCTV CAMERA
- GENERAL:**
- SITE BOUNDARY LINE
  - TEMPORARY LAND ACQUISITION

**INDICATIVE METHOD OF CONTROL**



**Disclaimer**

a. © National Transport Authority (NTA) 2022. This drawing is confidential and the copyright in it is owned by NTA. This drawing must not be either loaned, copied or otherwise reproduced in whole or in part or used for any purpose without the prior permission of NTA.

b. This drawing is to be used for the design element identified in the titleblock. Other information shown is to be considered indicative only. The drawing is to be read in conjunction with all other relevant design drawings.

c. O.S. data used for plans are printed under © Ordnance Survey Ireland Government of Ireland. All rights reserved. Licence Number 2022/OSI\_NMA\_180 National Transport Authority. All elevations are in metres and relate to OSI Geoid Model (OSGM15) Mean Head. All Co-ordinates are in Irish Transverse Mercator Grid (ITM) as defined by OSI active local GPS station.

d. Information concerning the position of apparatus shown on this drawing is based on drawings supplied by the utility owners and/or the utility works contractor, whilst every care has been taken in the preparation of this drawing, positions should be taken as approximate and are intended for general guidance only and no representation is made by the NTA as to the accuracy, completeness, sufficiency or otherwise of this drawing and the position of the apparatus. The information contained herein does not purport to be comprehensive or final as the apparatus is subject to being altered and/or superseded. Recipients should not rely on this information. Any liabilities are hereby expressly disclaimed.

e. The information contained herein has been provided by the NTA but does not purport to be comprehensive or final. Recipients should not rely on the information. Neither the NTA nor any of its directors, officers, employees, agents, stakeholders or advisers make any representation or warranty as to, or accept any liability or responsibility in relation to, the adequacy, accuracy, reasonableness or completeness of the information provided as part of this document or any matter on which the information is based (including but not limited to loss or damage arising as a result of reliance by recipients on the information or any part of it). Any liabilities are hereby expressly disclaimed.

Rev	Date	Dwn	Chk'd	App'd	Description
M01	13/05/2022	DS	EE	SMG	ISSUE FOR PHASE 4 : PLANNING

Client

Engineering Designer

Programme Title: **BUSCONNECTS DUBLIN CORE BUS CORRIDORS INFRASTRUCTURE WORKS**

Drawing Title: **BALLYMUN / FINGLAS TO CITY CENTRE CORE BUS CORRIDOR SCHEME JUNCTION SYSTEM DESIGN ST. CANICES ROAD / BALLYMUN ROAD**

Date	Scale	Drawn	Checked	Approved
13/05/2022	1:250 @ A1 1:500 @ A3	DS	EE	SMG

Programme Code	Originator Code	QMS Code
BCIDD	ROT	

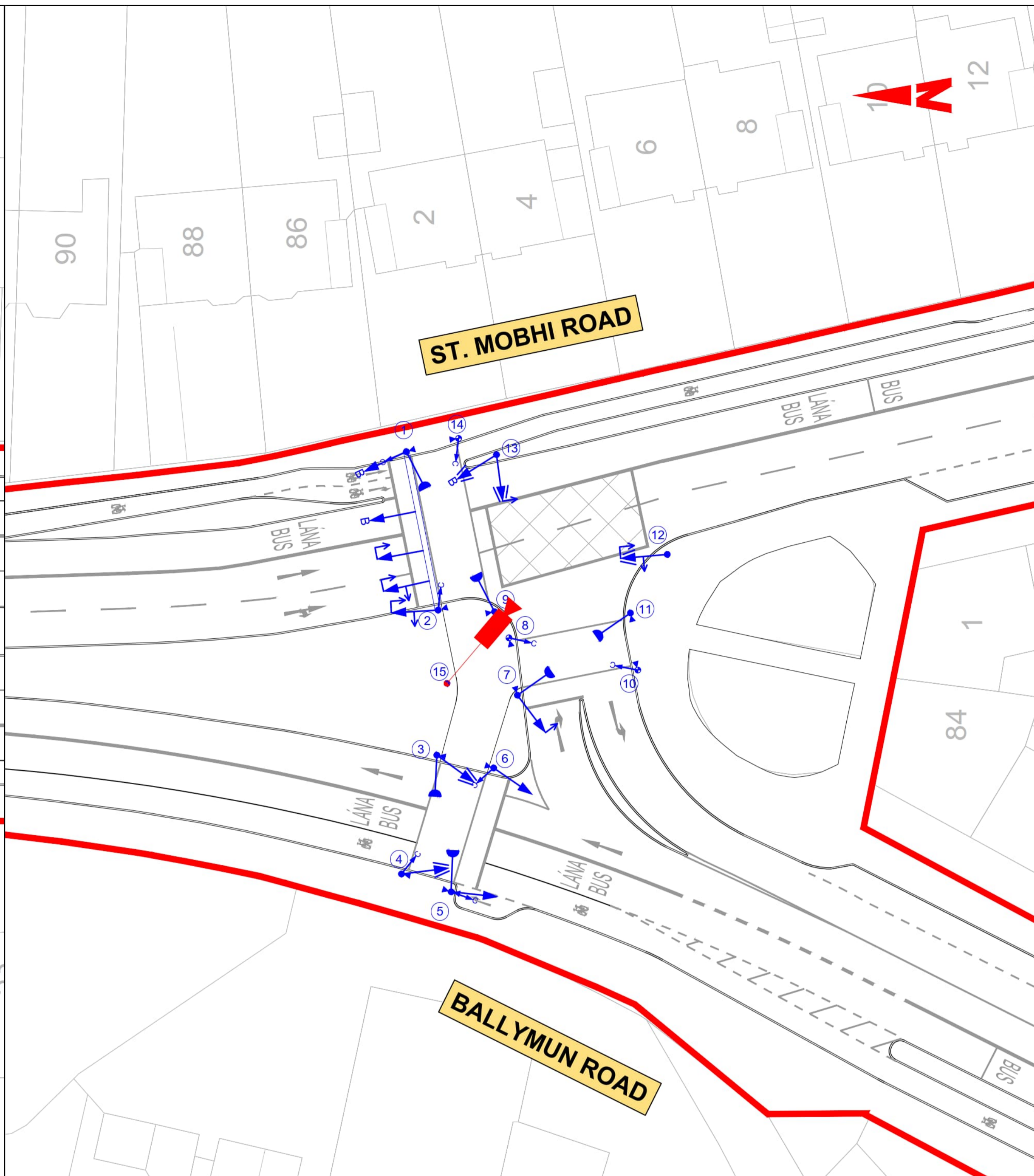
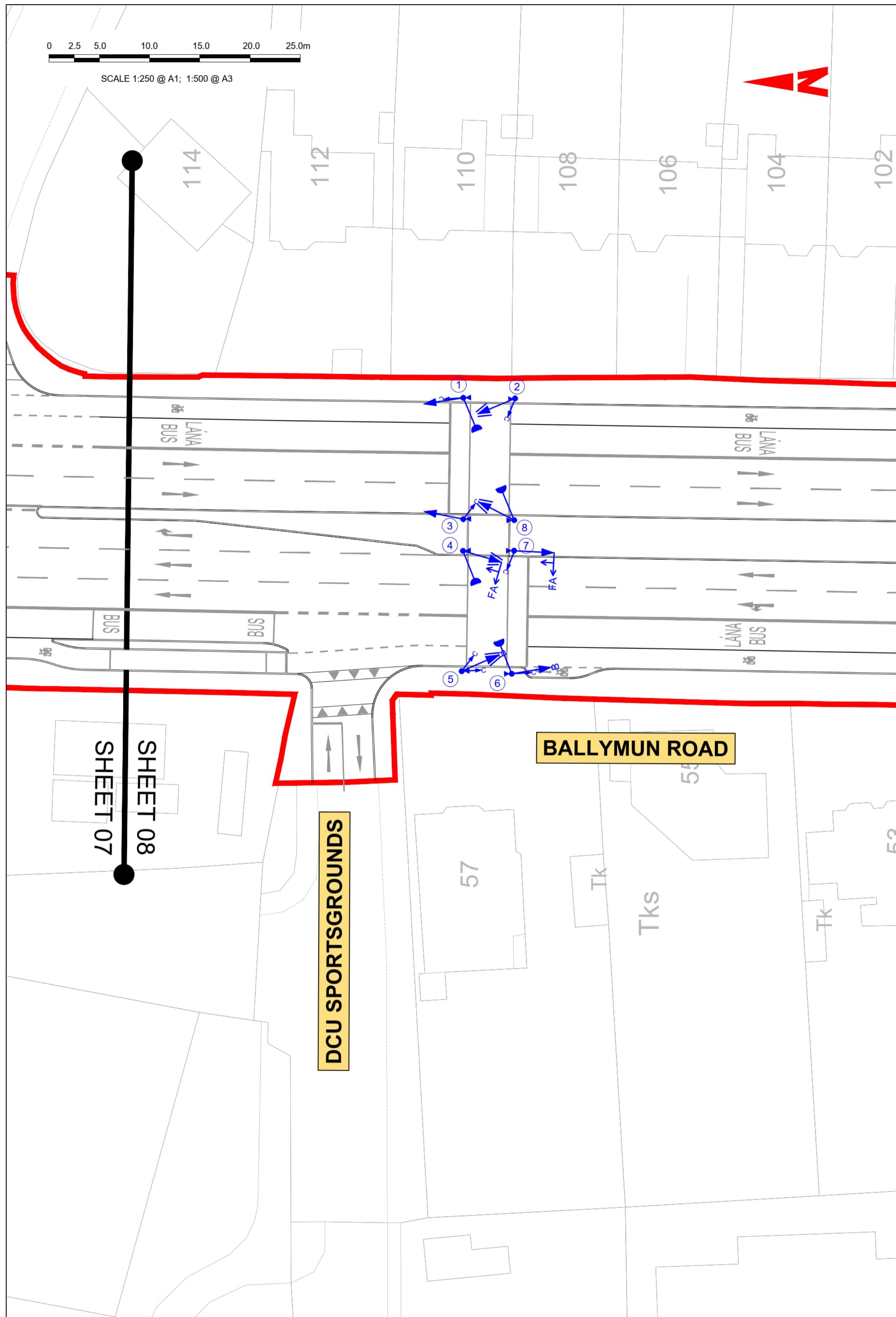
Drawing File Name	Sheet Number	Status	Rev
BCIDD-ROT-TSM_SJ-0304_XX_00-DR-CR-0010	10 of 38	A	M01

DO NOT SCALE USE FIGURED DIMENSIONS ONLY



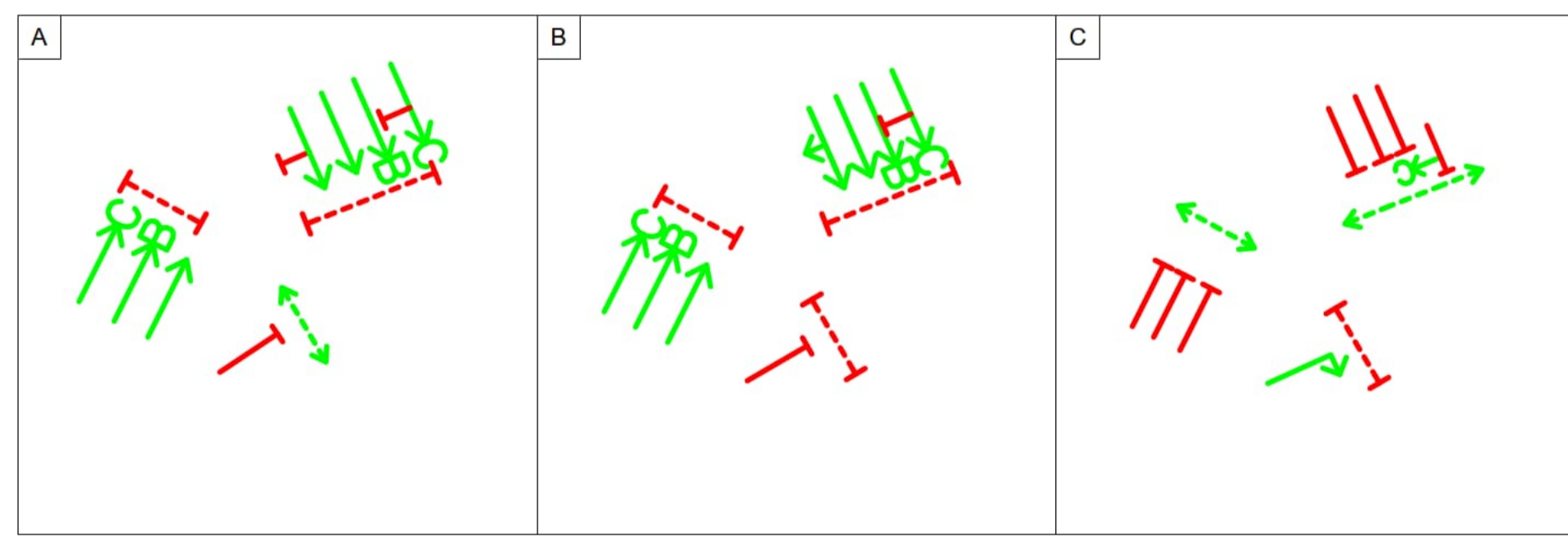
0 2.5 5.0 10.0 15.0 20.0 25.0m

SCALE 1:250 @ A1; 1:500 @ A3



- LEGEND:**
- TRAFFIC SIGNAL HEADS:**
    - RTS 001 PRIMARY
    - RTS 001 SECONDARY
    - RTS 002 PRIMARY
    - RTS 002 SECONDARY
    - RTS 003 (RUS 012) PRIMARY
    - RTS 003 (RUS 012) SECONDARY
    - RTS 007 (LOW LEVEL) PRIMARY
    - RPC 004 PEDESTRIAN HEAD
  - TRAFFIC SIGNAL EQUIPMENT:**
    - POLE (STANDARD HEIGHT)
    - TALL POLE (CCTV/TRAFFIC SIGNALS)
    - POLE NUMBER
    - PUSH BUTTON UNIT
    - PAN / TILT / ZOOM CCTV CAMERA
  - GENERAL:**
    - SITE BOUNDARY LINE
    - TEMPORARY LAND ACQUISITION

**INDICATIVE METHOD OF CONTROL**



**Disclaimer**

a. © National Transport Authority (NTA) 2022. This drawing is confidential and the copyright in it is owned by NTA. This drawing must not be either loaned, copied or otherwise reproduced in whole or in part or used for any purpose without the prior permission of NTA.

b. This drawing is to be used for the design element identified in the titlebox. Other information shown is to be considered indicative only. The drawing is to be read in conjunction with all other relevant design drawings.

c. O.S. data used for plans are printed under © Ordnance Survey Ireland Government of Ireland. All rights reserved. Licence Number 2022/OSI\_NMA\_180 National Transport Authority. All elevations are in metres and relate to OSI Geoid Model (OSGM15) Mean Head. All Co-ordinates are in Irish Transverse Mercator Grid (ITM) as defined by OSI active local GPS station.

d. Information concerning the position of apparatus shown on this drawing is based on drawings supplied by the utility owners and/or the utility works contractor, whilst every care has been taken in the preparation of this drawing, positions should be taken as approximate and are intended for general guidance only and no representation is made by the NTA as to the accuracy, completeness, sufficiency or otherwise of this drawing and the position of the apparatus. The information contained herein does not purport to be comprehensive or final as the apparatus is subject to being altered and/or superceded. Recipients should not rely on this information. Any liabilities are hereby expressly disclaimed.

e. The information contained herein has been provided by the NTA but does not purport to be comprehensive or final. Recipients should not rely on the information. Neither the NTA nor any of its directors, officers, employees, agents, stakeholders or advisers make any representation or warranty as to, or accept any liability or responsibility in relation to, the adequacy, accuracy, reasonableness or completeness of the information provided as part of this document or any matter on which the information is based (including but not limited to loss or damage arising as a result of reliance by recipients on the information or any part of it). Any liabilities are hereby expressly disclaimed.

Project Ireland 2040  
Building Ireland's Future

Rev	Date	Drm	Chk'd	App'd	Description
M01	13/05/2022	DS	EE	SMG	ISSUE FOR PHASE 4 : PLANNING

Client: **NTA**  
Údarás Náisiúnta Iompair  
National Transport Authority

Engineering Designer: **FIROD**  
TYPSA

Date: 13/05/2022  
Scale: 1:250 @ A1  
1:500 @ A3

Drawn: DS  
Checked: EE  
Approved: SMG

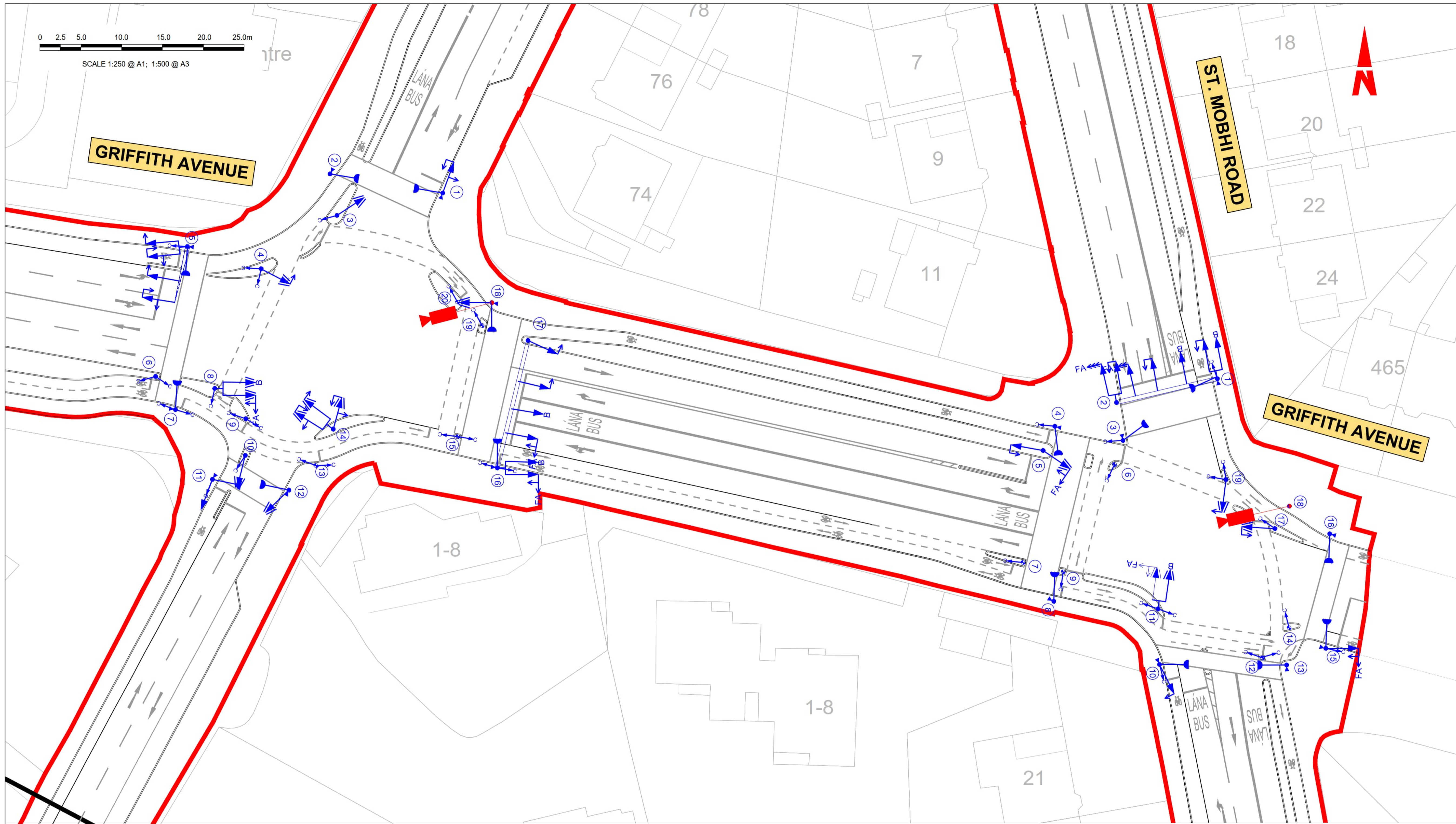
Programme Code: BCIDD  
Originator Code: ROT  
QMS Code:

Programme Title: **BUSCONNECTS DUBLIN  
CORE BUS CORRIDORS INFRASTRUCTURE WORKS**

Drawing Title: **BALLYMUN / FINGLAS TO CITY CENTRE CORE BUS CORRIDOR SCHEME  
JUNCTION SYSTEM DESIGN  
TOUCAN CROSSING & GRIFFITH AVENUE GYRATORY**

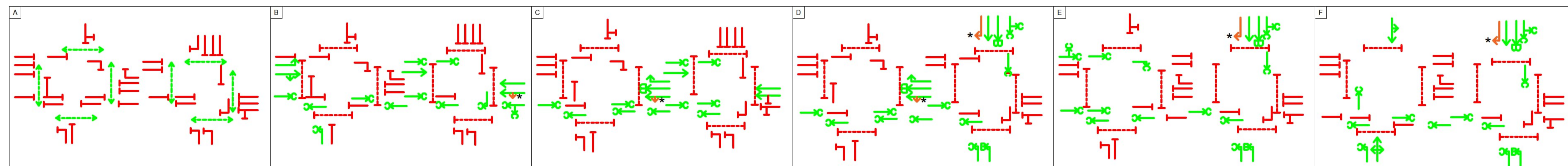
Drawing File Name: BCIDD-ROT-TSM\_SJ-0304\_XX\_00-DR-CR-0011  
Sheet Number: 11 of 38  
Status: A  
Rev: M01





- LEGEND:**
- TRAFFIC SIGNAL HEADS:**
- RTS 001 PRIMARY
  - RTS 001 SECONDARY
  - RTS 002 PRIMARY
  - RTS 002 SECONDARY
  - RTS 003 (RUS 012) PRIMARY
  - RTS 003 (RUS 012) SECONDARY
  - RTS 007 (LOW LEVEL) PRIMARY
  - RPC 004 PEDESTRIAN HEAD
- TRAFFIC SIGNAL EQUIPMENT:**
- POLE (STANDARD HEIGHT)
  - TALL POLE (CCTV/TRAFFIC SIGNALS)
  - POLE NUMBER
  - PUSH BUTTON UNIT
  - PAN / TILT / ZOOM CCTV CAMERA
- GENERAL:**
- SITE BOUNDARY LINE
  - TEMPORARY LAND ACQUISITION

**INDICATIVE METHOD OF CONTROL**



**Disclaimer**

a. © National Transport Authority (NTA) 2022. This drawing is confidential and the copyright in it is owned by NTA. This drawing must not be either loaned, copied or otherwise reproduced in whole or in part or used for any purpose without the prior permission of NTA.

b. This drawing is to be used for the design element identified in the titlebox. Other information shown is to be considered indicative only. The drawing is to be read in conjunction with all other relevant design drawings.

c. O.S. data used for plans are printed under © Ordnance Survey Ireland Government of Ireland. All rights reserved. Licence Number 2022/OSI\_NMA\_180 National Transport Authority. All elevations are in metres and relate to OSI Geoid Model (OSGM15) Mean Head. All Co-ordinates are in Irish Transverse Mercator Grid (ITM) as defined by OSI active local GPS station.

d. Information concerning the position of apparatus shown on this drawing is based on drawings supplied by the utility owners and/or the utility works contractor, whilst every care has been taken in the preparation of this drawing, positions should be taken as approximate and are intended for general guidance only and no representation is made by the NTA as to the accuracy, completeness, sufficiency or otherwise of this drawing and the position of the apparatus. The information contained herein does not purport to be comprehensive or final as the apparatus is subject to being altered and/or superceded. Recipients should not rely on this information. Any liabilities are hereby expressly disclaimed.

e. The information contained herein has been provided by the NTA but does not purport to be comprehensive or final. Recipients should not rely on the information. Neither the NTA nor any of its directors, officers, employees, agents, stakeholders or advisers make any representation or warranty as to, or accept any liability or responsibility in relation to, the adequacy, accuracy, reasonableness or completeness of the information provided as part of this document or any matter on which the information is based (including but not limited to loss or damage arising as a result of reliance by recipients on the information or any part of it). Any liabilities are hereby expressly disclaimed.



Rev	Date	Drm	Chk'd	App'd	Description
M01	13/05/2022	DS	EE	SMG	ISSUE FOR PHASE 4 : PLANNING

Client: **NTA**  
Údarás Náisiúnta Iompair  
National Transport Authority

Engineering Designer: **PROD**  
TYPSA

Date: 13/05/2022 Scale: 1:250 @ A1, 1:500 @ A3

Programme Code: BCIDD Originator Code: ROT

Drawn: DS Checked: EE Approved: SMG

QMS Code:

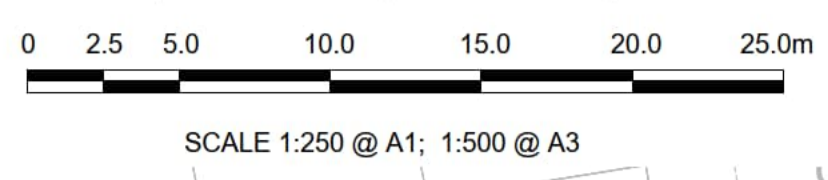
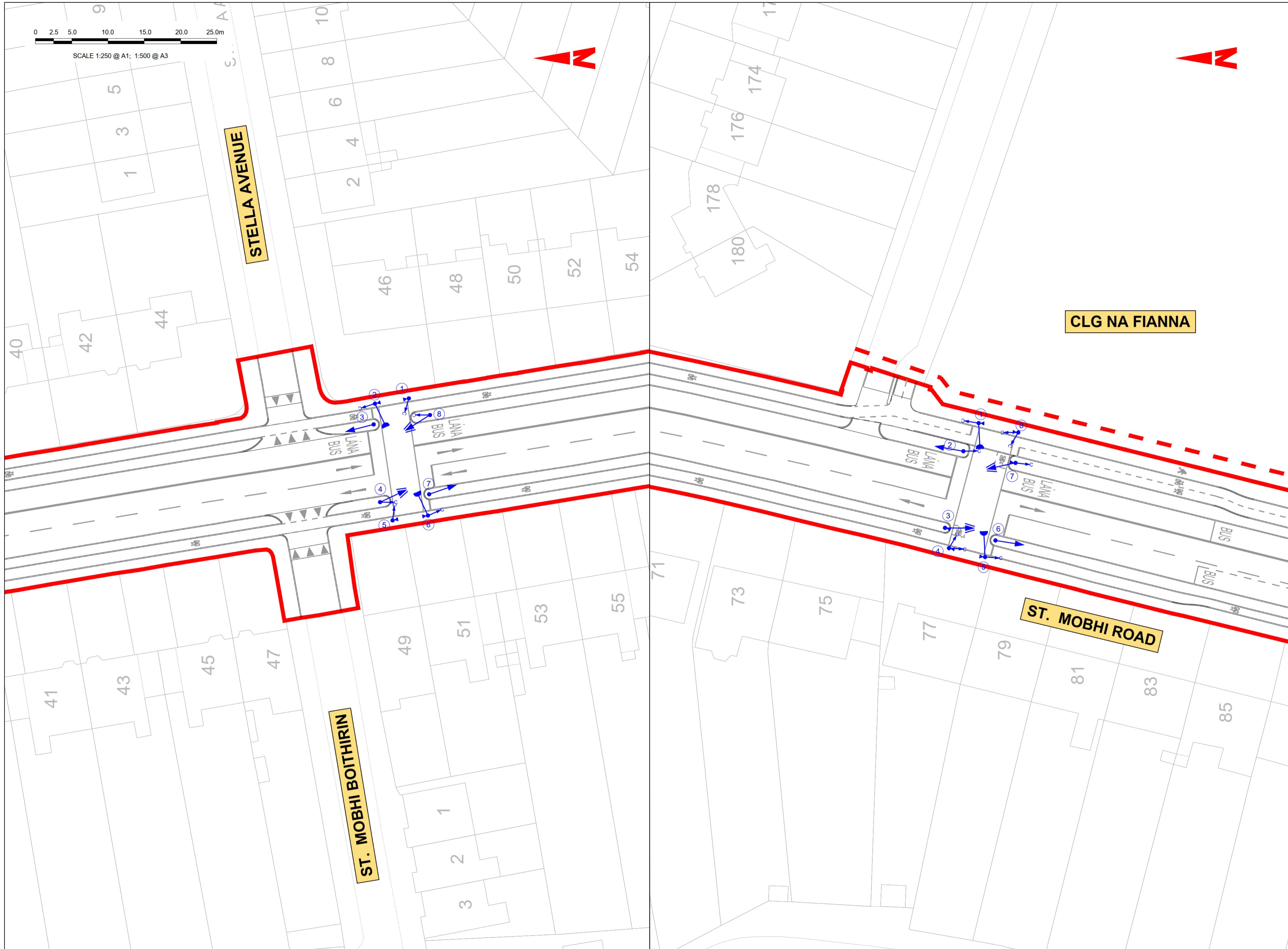
Programme Title: **BUSCONNECTS DUBLIN**  
**CORE BUS CORRIDORS INFRASTRUCTURE WORKS**

Drawing Title: BALLYMUN / FINGLAS TO CITY CENTRE CORE BUS CORRIDOR SCHEME  
JUNCTION SYSTEM DESIGN  
GRIFFITH AVENUE / ST. MOBHI

Drawing File Name: BCIDD-ROT-TSM\_SJ-0304\_XX\_00-DR-CR-0012

Sheet Number: 12 of 38 Status: A Rev: M01





- LEGEND:**
- TRAFFIC SIGNAL HEADS:**
- RTS 001 PRIMARY
  - RTS 001 SECONDARY
  - RTS 002 PRIMARY
  - RTS 002 SECONDARY
  - RTS 003 (RUS 012) PRIMARY
  - RTS 003 (RUS 012) SECONDARY
  - RTS 007 (LOW LEVEL) PRIMARY
  - RPC 004 PEDESTRIAN HEAD
- TRAFFIC SIGNAL EQUIPMENT:**
- POLE (STANDARD HEIGHT)
  - TALL POLE (CCTV/TRAFFIC SIGNALS)
  - POLE NUMBER
  - PUSH BUTTON UNIT
  - PAN / TILT / ZOOM CCTV CAMERA
- GENERAL:**
- SITE BOUNDARY LINE
  - TEMPORARY LAND ACQUISITION

**Disclaimer**

a. © National Transport Authority (NTA) 2022. This drawing is confidential and the copyright in it is owned by NTA. This drawing must not be either loaned, copied or otherwise reproduced in whole or in part or used for any purpose without the prior permission of NTA.

b. This drawing is to be used for the design element identified in the titlebox. Other information shown is to be considered indicative only. The drawing is to be read in conjunction with all other relevant design drawings.

c. O.S. data used for plans are printed under © Ordnance Survey Ireland Government of Ireland. All rights reserved. Licence Number 2022/OSI\_NMA\_180 National Transport Authority. All elevations are in metres and relate to OSI Geoid Model (OSGM15) Mean Head. All Co-ordinates are in Irish

Transverse Mercator Grid (ITM) as defined by OSI active local GPS station.

d. Information concerning the position of apparatus shown on this drawing is based on drawings supplied by the utility owners and/or the utility works contractor, whilst every care has been taken in the preparation of this drawing, positions should be taken as approximate and are intended for general guidance only and no representation is made by the NTA as to the accuracy, completeness, sufficiency or otherwise of this drawing and the position of the apparatus. The information contained herein does not purport to be comprehensive or final as the apparatus is subject to being altered and/or superseded. Recipients should not rely on this information. Any liabilities are hereby expressly disclaimed.

e. The information contained herein has been provided by the NTA but does not purport to be comprehensive or final. Recipients should not rely on the information. Neither the NTA nor any of its directors, officers, employees, agents, stakeholders or advisers make any representation or warranty as to, or accept any liability or responsibility in relation to, the adequacy, accuracy, reasonableness or completeness of the information provided as part of this document or any matter on which the information is based (including but not limited to loss or damage arising as a result of reliance by recipients on the information or any part of it). Any liabilities are hereby expressly disclaimed.



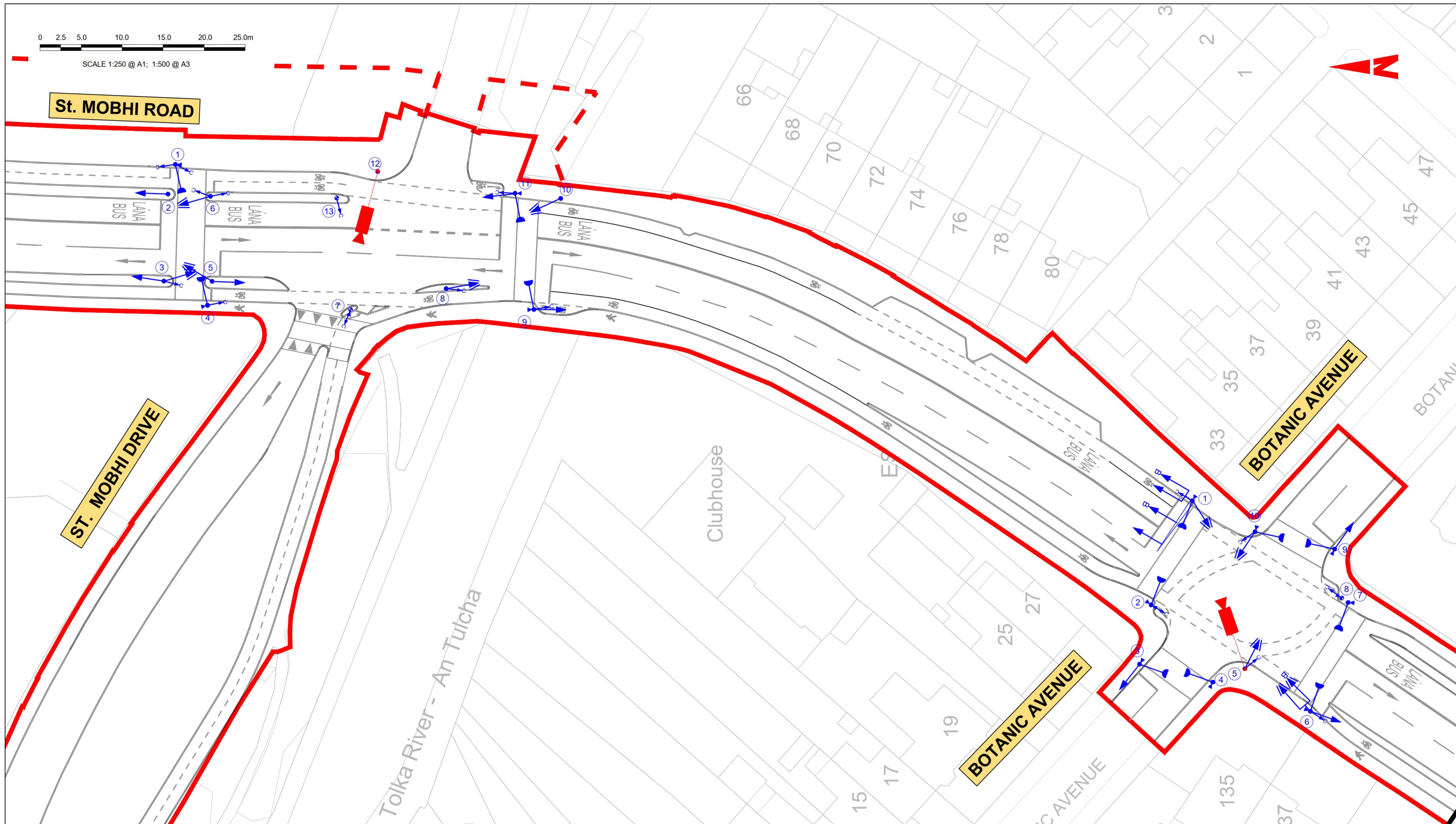
Rev	Date	Dwn	Chk'd	App'd	Description
M01	13/05/2022	DS	EE	SMG	ISSUE FOR PHASE 4 : PLANNING

Date	Scale	Drawn	Checked	Approved
13/05/2022	1:250 @ A1 1:500 @ A3	DS	EE	SMG
Programme Code	Originator Code	QMS Code		
BCIDD	ROT			

<b>Programme Title</b> <b>BUSCONNECTS DUBLIN</b> <b>CORE BUS CORRIDORS INFRASTRUCTURE WORKS</b>			
<b>Drawing Title</b> BALLYMUN / FINGLAS TO CITY CENTRE CORE BUS CORRIDOR SCHEME JUNCTION SYSTEM DESIGN TOUCAN CROSSINGS			
Drawing File Name	Sheet Number	Status	Rev
BCIDD-ROT-TSM_SJ-0304_XX_00-DR-CR-0013	13 of 38	A	M01

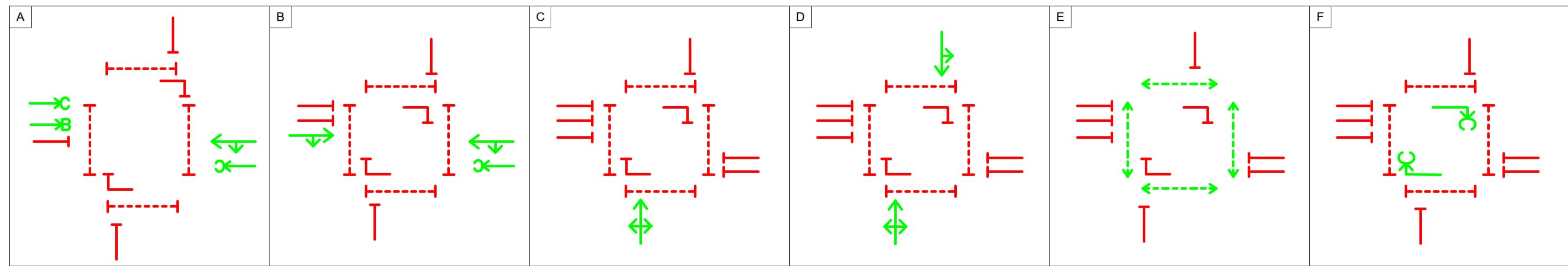
DO NOT SCALE USE FIGURED DIMENSIONS ONLY





- LEGEND:**
- TRAFFIC SIGNAL HEADS:**
- RTS 001 PRIMARY
  - RTS 001 SECONDARY
  - RTS 002 PRIMARY
  - RTS 002 SECONDARY
  - RTS 003 (RUS 012) PRIMARY
  - RTS 003 (RUS 012) SECONDARY
  - RTS 007 (LOW LEVEL) PRIMARY
  - RPC 004 PEDESTRIAN HEAD
- TRAFFIC SIGNAL EQUIPMENT:**
- POLE (STANDARD HEIGHT)
  - TALL POLE (CCTV/TRAFFIC SIGNALS)
  - POLE NUMBER
  - PUSH BUTTON UNIT
  - PAN / TILT / ZOOM CCTV CAMERA
- GENERAL:**
- SITE BOUNDARY LINE
  - TEMPORARY LAND ACQUISITION

INDICATIVE METHOD OF CONTROL - BOTANIC AVENUE / ST MOBHI RD JUNCTION



**Disclaimer**

a. © National Transport Authority (NTA) 2022. This drawing is confidential and the copyright in it is owned by NTA. This drawing must not be either loaned, copied or otherwise reproduced in whole or in part or used for any purpose without the prior permission of NTA.

b. This drawing is to be used for the design element identified in the titlebox. Other information shown is to be considered indicative only. The drawing is to be read in conjunction with all other relevant design drawings.

c. O.S. data used for plans are printed under © Ordnance Survey Ireland Government of Ireland. All rights reserved. Licence Number 2022/OSI\_NMA\_180 National Transport Authority. All elevations are in metres and relate to OSI Geoid Model (OSGM15) Mean Head. All Co-ordinates are in Irish Transverse Mercator Grid (ITM) as defined by OSI active local GPS station.

d. Information concerning the position of apparatus shown on this drawing is based on drawings supplied by the utility owners and/or the utility works contractor, whilst every care has been taken in the preparation of this drawing, positions should be taken as approximate and are intended for general guidance only and no representation is made by the NTA as to the accuracy, completeness, sufficiency or otherwise of this drawing and the position of the apparatus. The information contained herein does not purport to be comprehensive or final as the apparatus is subject to being altered and/or superseded. Recipients should not rely on this information. Any liabilities are hereby expressly disclaimed.

e. The information contained herein has been provided by the NTA but does not purport to be comprehensive or final. Recipients should not rely on the information. Neither the NTA nor any of its directors, officers, employees, agents, stakeholders or advisers make any representation or warranty as to, or accept any liability or responsibility in relation to, the adequacy, accuracy, reasonableness or completeness of the information provided as part of this document or any matter on which the information is based (including but not limited to loss or damage arising as a result of reliance by recipients on the information or any part of it). Any liabilities are hereby expressly disclaimed.

Rev	Date	Drm	Chk'd	App'd	Description
M01	13/05/2022	DS	EE	SMG	ISSUE FOR PHASE 4 : PLANNING

Client: **NTA**  
Údarás Náisiúnta Iompair  
National Transport Authority

Engineering Designer: **PROD**  
TYPSA

Date: 13/05/2022  
Scale: 1:250 @ A1  
1:500 @ A3

Drawn: DS  
Checked: EE  
Approved: SMG

Programme Code: BCIDD  
Originator Code: ROT

QMS Code:

Programme Title: **BUSCONNECTS DUBLIN**  
**CORE BUS CORRIDORS INFRASTRUCTURE WORKS**

Drawing Title: **BALLYMUN / FINGLAS TO CITY CENTRE CORE BUS CORRIDOR SCHEME**  
JUNCTION SYSTEM DESIGN  
BOTANIC AVENUE / ST. MOBHI ROAD

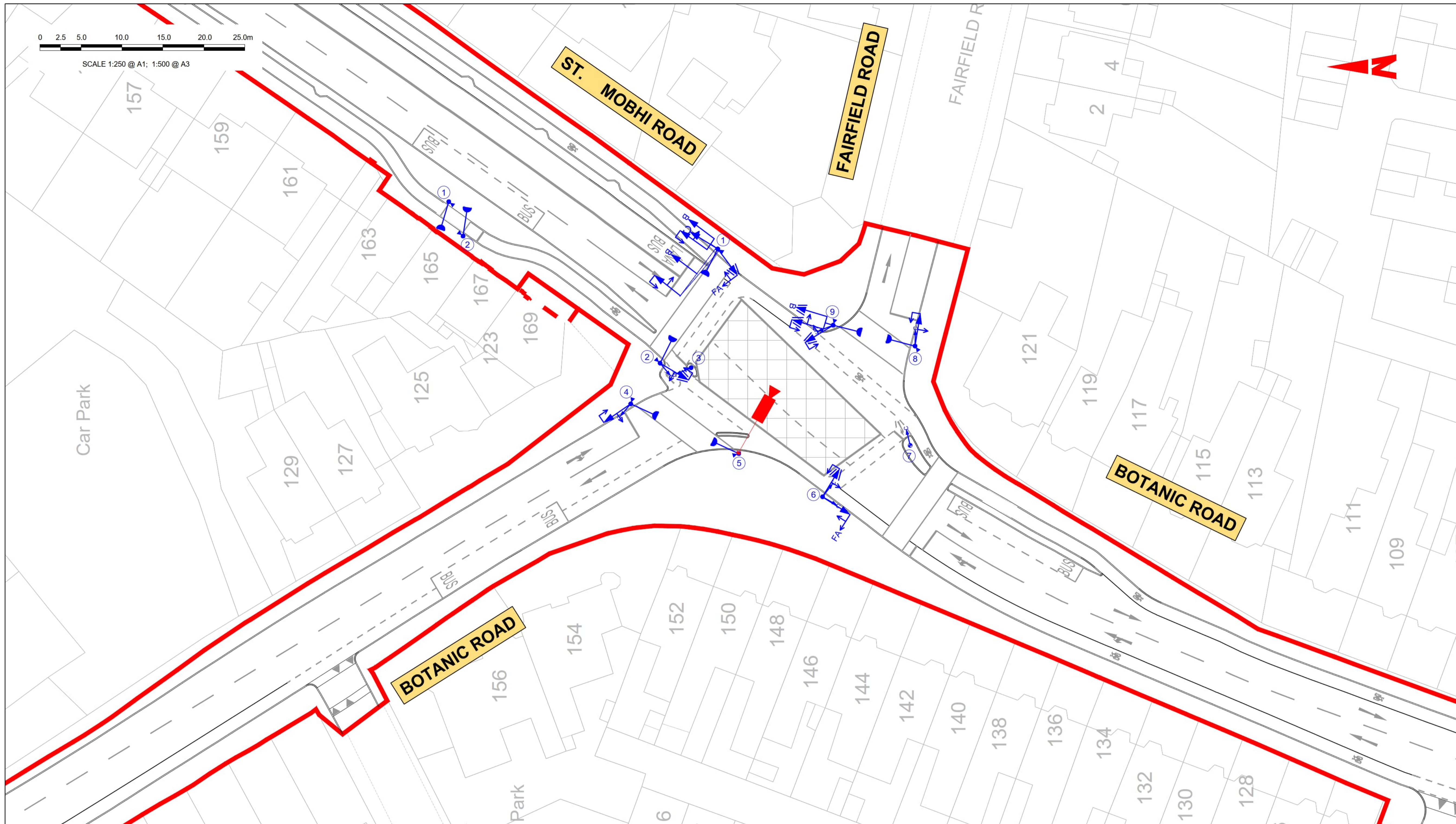
Drawing File Name: BCIDD-ROT-TSM\_SJ-0304\_XX\_00-DR-CR-0014

Sheet Number: 14 of 38  
Status: A  
Rev: M01



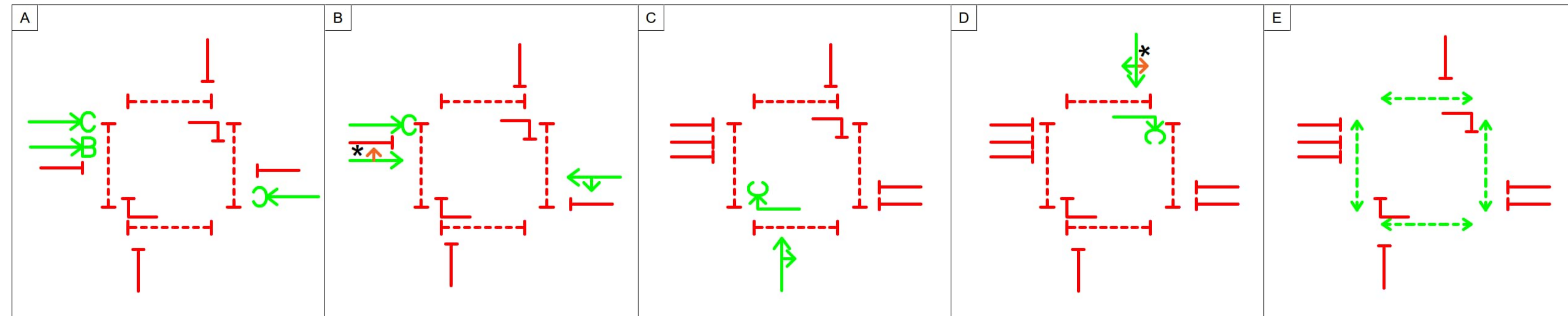
0 2.5 5.0 10.0 15.0 20.0 25.0m

SCALE 1:250 @ A1; 1:500 @ A3



- LEGEND:**
- TRAFFIC SIGNAL HEADS:**
- RTS 001 PRIMARY
  - RTS 001 SECONDARY
  - RTS 002 PRIMARY
  - RTS 002 SECONDARY
  - RTS 003 (RUS 012) PRIMARY
  - RTS 003 (RUS 012) SECONDARY
  - RTS 007 (LOW LEVEL) PRIMARY
  - RPC 004 PEDESTRIAN HEAD
- TRAFFIC SIGNAL EQUIPMENT:**
- POLE (STANDARD HEIGHT)
  - TALL POLE (CCTV/TRAFFIC SIGNALS)
  - POLE NUMBER
  - PUSH BUTTON UNIT
  - PAN / TILT / ZOOM CCTV CAMERA
- GENERAL:**
- SITE BOUNDARY LINE
  - TEMPORARY LAND ACQUISITION

**INDICATIVE METHOD OF CONTROL**



\* DENOTES FLASHING AMBER

**Disclaimer**

a. © National Transport Authority (NTA) 2022. This drawing is confidential and the copyright in it is owned by NTA. This drawing must not be either loaned, copied or otherwise reproduced in whole or in part or used for any purpose without the prior permission of NTA.

b. This drawing is to be used for the design element identified in the titlebox. Other information shown is to be considered indicative only. The drawing is to be read in conjunction with all other relevant design drawings.

c. O.S. data used for plans are printed under © Ordnance Survey Ireland Government of Ireland. All rights reserved. Licence Number 2022/OSI\_NMA\_180 National Transport Authority. All elevations are in metres and relate to OSI Geoid Model (OSGM15) Mean Head. All Co-ordinates are in Irish Transverse Mercator Grid (ITM) as defined by OSI active local GPS station.

d. Information concerning the position of apparatus shown on this drawing is based on drawings supplied by the utility owners and/or the utility works contractor, whilst every care has been taken in the preparation of this drawing, positions should be taken as approximate and are intended for general guidance only and no representation is made by the NTA as to the accuracy, completeness, sufficiency or otherwise of this drawing and the position of the apparatus. The information contained herein does not purport to be comprehensive or final as the apparatus is subject to being altered and/or superseded. Recipients should not rely on this information. Any liabilities are hereby expressly disclaimed.

e. The information contained herein has been provided by the NTA but does not purport to be comprehensive or final. Recipients should not rely on the information. Neither the NTA nor any of its directors, officers, employees, agents, stakeholders or advisers make any representation or warranty as to, or accept any liability or responsibility in relation to, the adequacy, accuracy, reasonableness or completeness of the information provided as part of this document or any matter on which the information is based (including but not limited to loss or damage arising as a result of reliance by recipients on the information or any part of it). Any liabilities are hereby expressly disclaimed.



Rev	Date	Dwn	Chk'd	App'd	Description
M01	13/05/2022	DS	EE	SMG	ISSUE FOR PHASE 4 : PLANNING

Client

Date: 13/05/2022

Scale: 1:250 @ A1; 1:500 @ A3

Programme Code: BCIDD

Originator Code: ROT

Engineering Designer

Drawn: DS

Checked: EE

Approved: SMG

QMS Code

Programme Title: **BUSCONNECTS DUBLIN CORE BUS CORRIDORS INFRASTRUCTURE WORKS**

Drawing Title: **BALLYMUN / FINGLAS TO CITY CENTRE CORE BUS CORRIDOR SCHEME JUNCTION SYSTEM DESIGN BOTANIC ROAD / ST. MOBHI ROAD**

Drawing File Name: BCIDD-ROT-TSM\_SJ-0304\_XX\_00-DR-CR-0015

Sheet Number: 15 of 38

Status: A

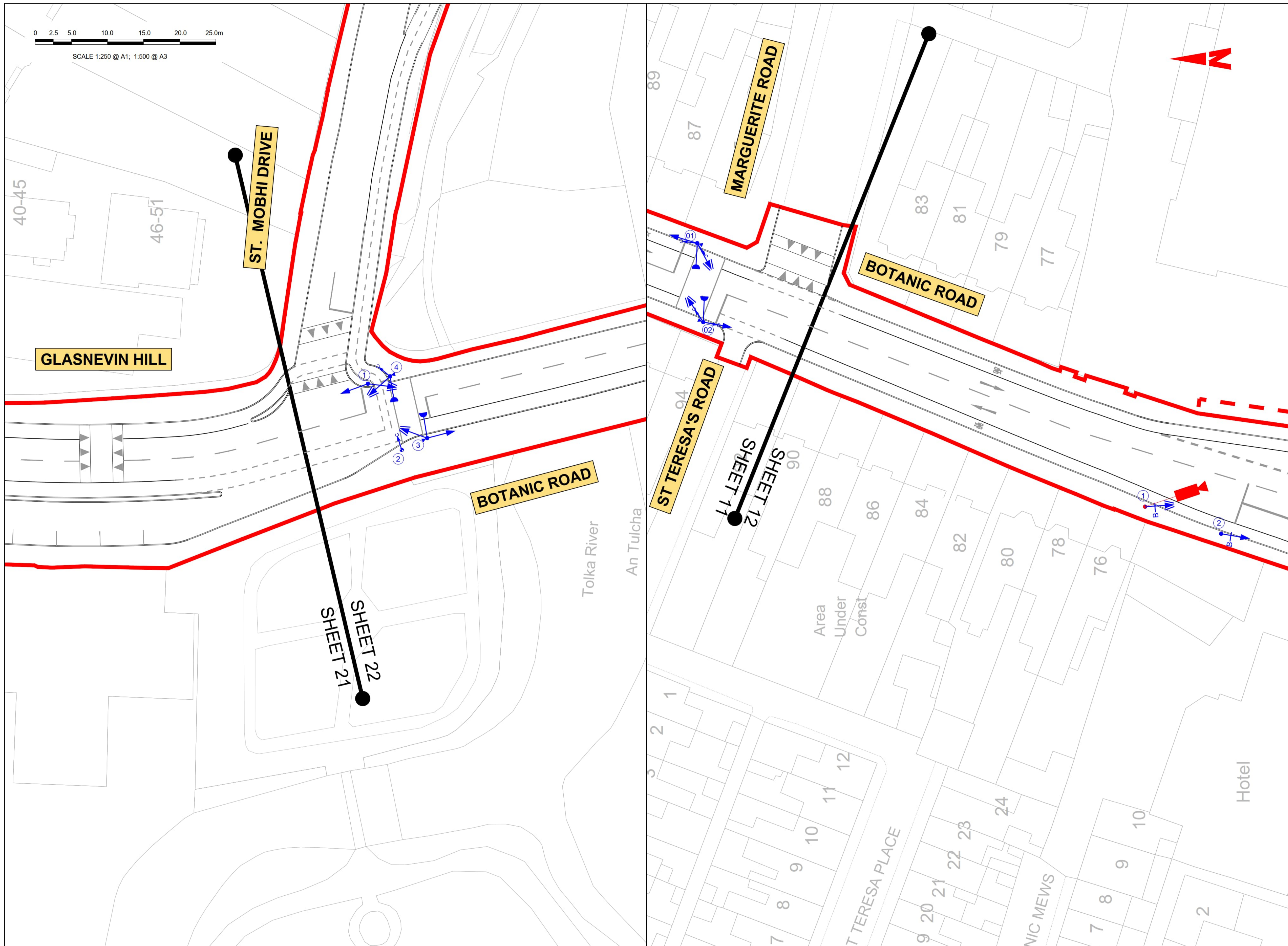
Rev: M01

DO NOT SCALE USE FIGURED DIMENSIONS ONLY





SCALE 1:250 @ A1; 1:500 @ A3



- LEGEND:**
- TRAFFIC SIGNAL HEADS:**
- RTS 001 PRIMARY
  - RTS 001 SECONDARY
  - RTS 002 PRIMARY
  - RTS 002 SECONDARY
  - RTS 003 (RUS 012) PRIMARY
  - RTS 003 (RUS 012) SECONDARY
  - RTS 007 (LOW LEVEL) PRIMARY
  - RPC 004 PEDESTRIAN HEAD
- TRAFFIC SIGNAL EQUIPMENT:**
- POLE (STANDARD HEIGHT)
  - TALL POLE (CCTV/TRAFFIC SIGNALS)
  - POLE NUMBER
  - PUSH BUTTON UNIT
  - PAN / TILT / ZOOM CCTV CAMERA
- GENERAL:**
- SITE BOUNDARY LINE
  - TEMPORARY LAND ACQUISITION

**Disclaimer**

a. © National Transport Authority (NTA) 2022. This drawing is confidential and the copyright in it is owned by NTA. This drawing must not be either loaned, copied or otherwise reproduced in whole or in part or used for any purpose without the prior permission of NTA.

b. This drawing is to be used for the design element identified in the title block. Other information shown is to be considered indicative only. The drawing is to be read in conjunction with all other relevant design drawings.

c. O.S. data used for plans are printed under © Ordnance Survey Ireland Government of Ireland. All rights reserved. Licence Number 2022/OSI\_NMA\_180 National Transport Authority. All elevations are in metres and relate to OSI Geoid Model (OSGM15) Mean Head. All Co-ordinates are in Irish Transverse Mercator Grid (ITM) as defined by OSI active local GPS station.

d. Information concerning the position of apparatus shown on this drawing is based on drawings supplied by the utility owners and/or the utility works contractor, whilst every care has been taken in the preparation of this drawing, positions should be taken as approximate and are intended for general guidance only and no representation is made by the NTA as to the accuracy, completeness, sufficiency or otherwise of this drawing and the position of the apparatus. The information contained herein does not purport to be comprehensive or final as the apparatus is subject to being altered and/or superceded. Recipients should not rely on this information. Any liabilities are hereby expressly disclaimed.

e. The information contained herein has been provided by the NTA but does not purport to be comprehensive or final. Recipients should not rely on the information. Neither the NTA nor any of its directors, officers, employees, agents, stakeholders or advisers make any representation or warranty as to, or accept any liability or responsibility in relation to, the adequacy, accuracy, reasonableness or completeness of the information provided as part of this document or any matter on which the information is based (including but not limited to loss or damage arising as a result of reliance by recipients on the information or any part of it). Any liabilities are hereby expressly disclaimed.

Building Ireland's Future

Rev	Date	Dwn	Chk'd	App'd	Description
M01	13/05/2022	DS	EE	SMG	ISSUE FOR PHASE 4 : PLANNING

Client: **NTA**  
Údarás Náisiúnta Iompair  
National Transport Authority

Engineering Designer: **FIROD**  
TYPSA

Date: 13/05/2022 | Scale: 1:250 @ A1, 1:500 @ A3 | Drawn: DS | Checked: EE | Approved: SMG

Programme Code: BCIDD | Originator Code: ROT | QMS Code:

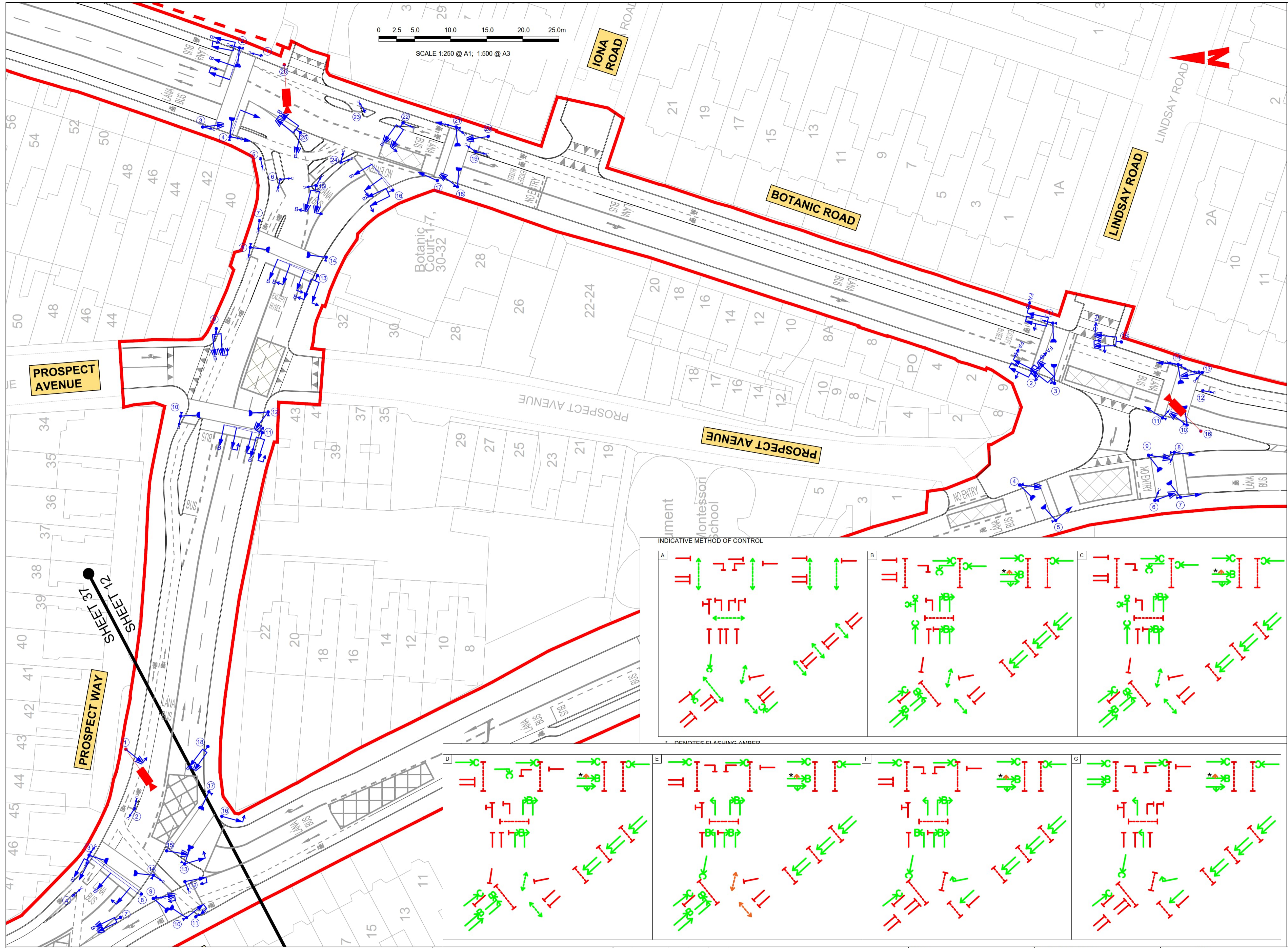
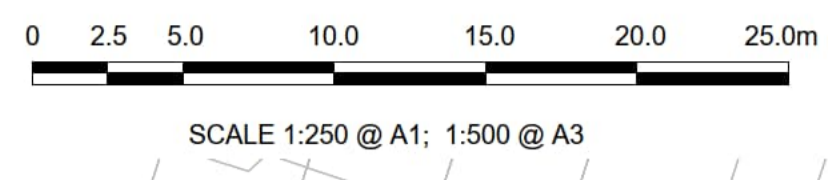
Programme Title: **BUSCONNECTS DUBLIN**  
**CORE BUS CORRIDORS INFRASTRUCTURE WORKS**

Drawing Title: BALLYMUN / FINGLAS TO CITY CENTRE CORE BUS CORRIDOR SCHEME  
JUNCTION SYSTEM DESIGN  
PEDESTRIAN & TOUCAN CROSSING

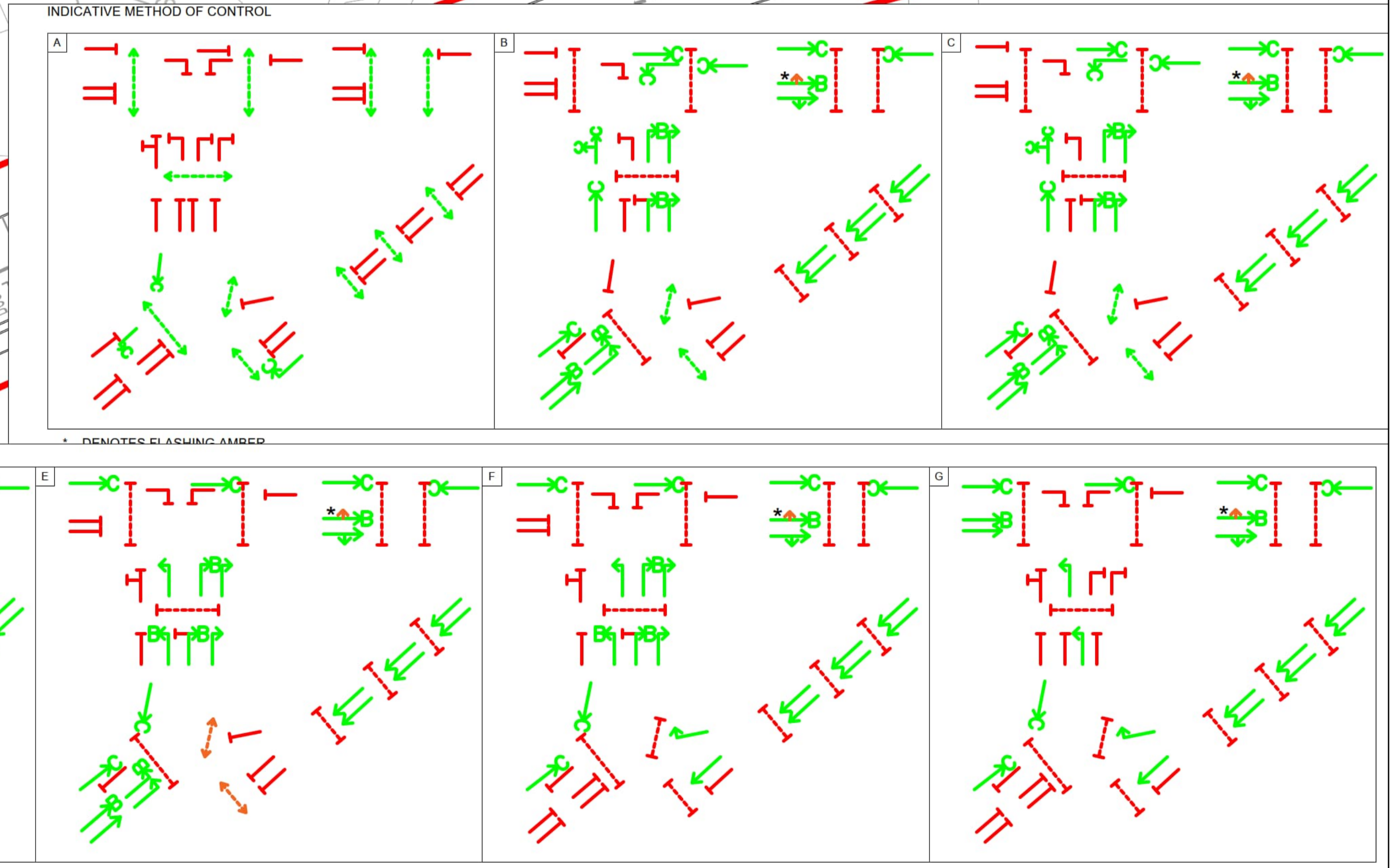
Drawing File Name: BCIDD-ROT-TSM\_SJ-0304\_XX\_00-DR-CR-0016 | Sheet Number: 16 of 38 | Status: A | Rev: M01

DO NOT SCALE USE FIGURED DIMENSIONS ONLY





- LEGEND:**
- TRAFFIC SIGNAL HEADS:**
    - RTS 001 PRIMARY
    - RTS 001 SECONDARY
    - RTS 002 PRIMARY
    - RTS 002 SECONDARY
    - RTS 003 (RUS 012) PRIMARY
    - RTS 003 (RUS 012) SECONDARY
    - RTS 007 (LOW LEVEL) PRIMARY
    - RPC 004 PEDESTRIAN HEAD
  - TRAFFIC SIGNAL EQUIPMENT:**
    - POLE (STANDARD HEIGHT)
    - TALL POLE (CCTV/TRAFFIC SIGNALS)
    - POLE NUMBER
    - PUSH BUTTON UNIT
    - PAN / TILT / ZOOM CCTV CAMERA
  - GENERAL:**
    - SITE BOUNDARY LINE
    - TEMPORARY LAND ACQUISITION



**Disclaimer**  
 a. © National Transport Authority (NTA) 2022. This drawing is confidential and the copyright in it is owned by NTA. This drawing must not be either loaned, copied or otherwise reproduced in whole or in part or used for any purpose without the prior permission of NTA.  
 b. This drawing is to be used for the design element identified in the title block. Other information shown is to be considered indicative only. The drawing is to be read in conjunction with all other relevant design drawings.  
 c. O.S. data used for plans are printed under © Ordnance Survey Ireland Government of Ireland. All rights reserved. Licence Number 2022/OSI\_NMA\_180 National Transport Authority. All elevations are in metres and relate to OSI Geoid Model (OSGM15) Mean Head. All Co-ordinates are in Irish

Transverse Mercator Grid (ITM) as defined by OSI active local GPS station.  
 d. Information concerning the position of apparatus shown on this drawing is based on drawings supplied by the utility owners and/or the utility works contractor, whilst every care has been taken in the preparation of this drawing, positions should be taken as approximate and are intended for general guidance only and no representation is made by the NTA as to the accuracy, completeness, sufficiency or otherwise of this drawing and the position of the apparatus. The information contained herein does not purport to be comprehensive or final as the apparatus is subject to being altered and/or superceded. Recipients should not rely on this information. Any liabilities are hereby expressly disclaimed.

e. The information contained herein has been provided by the NTA but does not purport to be comprehensive or final. Recipients should not rely on the information. Neither the NTA nor any of its directors, officers, employees, agents, stakeholders or advisers make any representation or warranty as to, or accept any liability or responsibility in relation to, the adequacy, accuracy, reasonableness or completeness of the information provided as part of this document or any matter on which the information is based (including but not limited to loss or damage arising as a result of reliance by recipients on the information or any part of it). Any liabilities are hereby expressly disclaimed.

Rev	Date	Drn	Chk'd	App'd	Description
M01	13/05/2022	DS	EE	SMG	ISSUE FOR PHASE 4 : PLANNING

Client: **NTA**  
 Údarás Náisiúnta Iompair  
 National Transport Authority

Engineering Designer: **CIROD**  
 TYPSA

Date: 13/05/2022  
 Scale: N.T.S @ A1, N.T.S @ A3  
 Drawn: DS, Checked: EE, Approved: SMG

Programme Code: BCIDD, Originator Code: ROT, QMS Code:

Programme Title: **BUSCONNECTS DUBLIN**  
**CORE BUS CORRIDORS INFRASTRUCTURE WORKS**

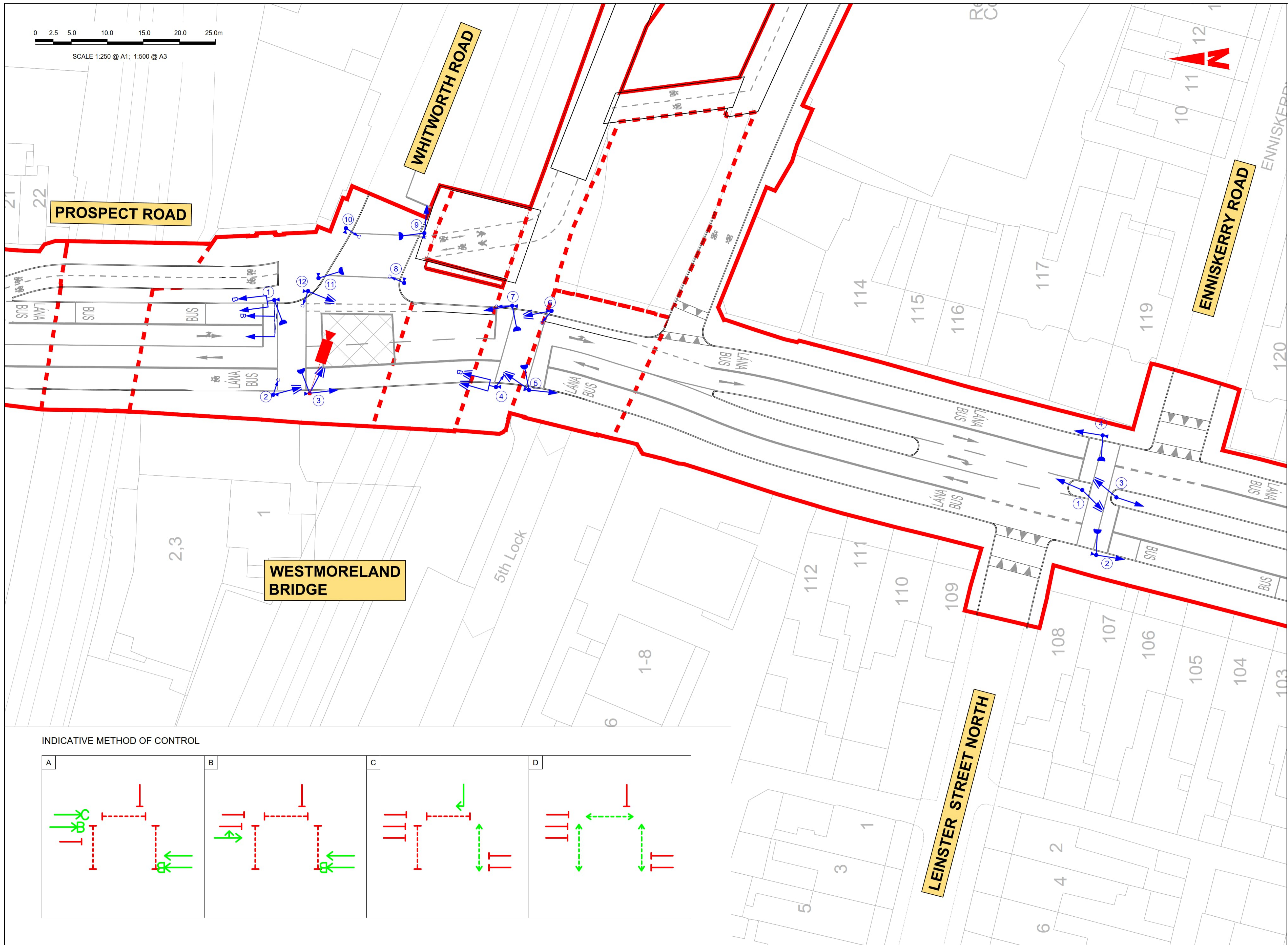
Drawing Title: BALLYMUN / FINGLAS TO CITY CENTRE CORE BUS CORRIDOR SCHEME  
 JUNCTION SYSTEM DESIGN  
 HARTS CORNER GYRATORY

Drawing File Name: BCIDD-ROT-TSM\_SJ-0304\_XX\_00-DR-CR-0017  
 Sheet Number: 17 of 38  
 Status: A  
 Rev: M01



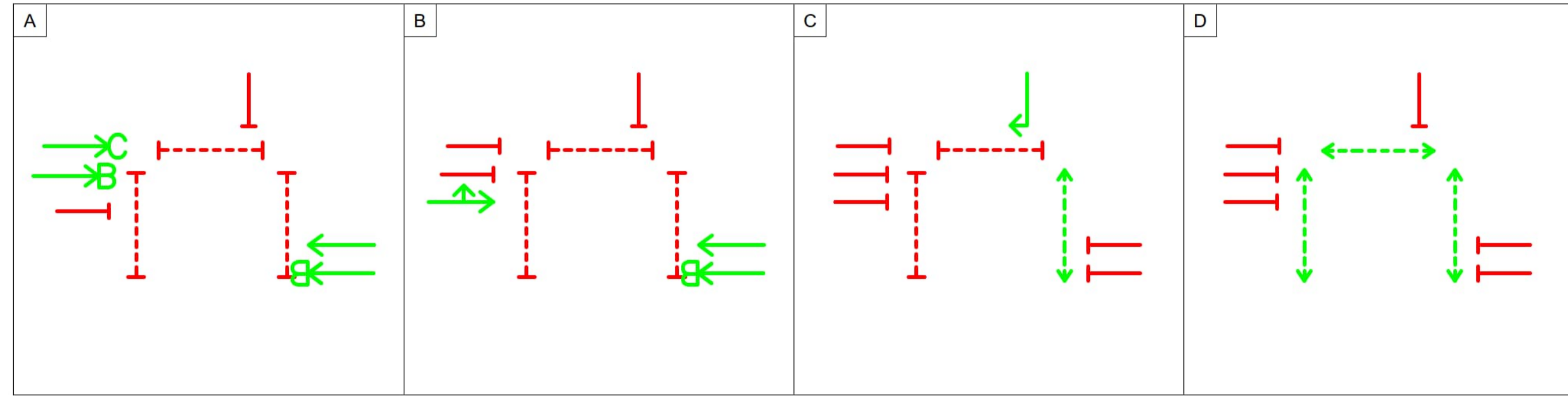


SCALE 1:250 @ A1; 1:500 @ A3



- LEGEND:**
- TRAFFIC SIGNAL HEADS:**
- RTS 001 PRIMARY
  - RTS 001 SECONDARY
  - RTS 002 PRIMARY
  - RTS 002 SECONDARY
  - RTS 003 (RUS 012) PRIMARY
  - RTS 003 (RUS 012) SECONDARY
  - RTS 007 (LOW LEVEL) PRIMARY
  - RPC 004 PEDESTRIAN HEAD
- TRAFFIC SIGNAL EQUIPMENT:**
- POLE (STANDARD HEIGHT)
  - TALL POLE (CCTV/TRAFFIC SIGNALS)
  - POLE NUMBER
  - PUSH BUTTON UNIT
  - PAN / TILT / ZOOM CCTV CAMERA
- GENERAL:**
- SITE BOUNDARY LINE
  - TEMPORARY LAND ACQUISITION

**INDICATIVE METHOD OF CONTROL**



**Disclaimer**

a. © National Transport Authority (NTA) 2022. This drawing is confidential and the copyright in it is owned by NTA. This drawing must not be either loaned, copied or otherwise reproduced in whole or in part or used for any purpose without the prior permission of NTA.

b. This drawing is to be used for the design element identified in the titlebox. Other information shown is to be considered indicative only. The drawing is to be read in conjunction with all other relevant design drawings.

c. O.S. data used for plans are printed under © Ordnance Survey Ireland Government of Ireland. All rights reserved. Licence Number 2022/OSI\_NMA\_180 National Transport Authority. All elevations are in metres and relate to OSI Geoid Model (OSGM15) Mean Head. All Co-ordinates are in Irish Transverse Mercator Grid (ITM) as defined by OSI active local GPS station.

d. Information concerning the position of apparatus shown on this drawing is based on drawings supplied by the utility owners and/or the utility works contractor, whilst every care has been taken in the preparation of this drawing, positions should be taken as approximate and are intended for general guidance only and no representation is made by the NTA as to the accuracy, completeness, sufficiency or otherwise of this drawing and the position of the apparatus. The information contained herein does not purport to be comprehensive or final as the apparatus is subject to being altered and/or superceded. Recipients should not rely on this information. Any liabilities are hereby expressly disclaimed.

e. The information contained herein has been provided by the NTA but does not purport to be comprehensive or final. Recipients should not rely on the information. Neither the NTA nor any of its directors, officers, employees, agents, stakeholders or advisers make any representation or warranty as to, or accept any liability or responsibility in relation to, the adequacy, accuracy, reasonableness or completeness of the information provided as part of this document or any matter on which the information is based (including but not limited to loss or damage arising as a result of reliance by recipients on the information or any part of it). Any liabilities are hereby expressly disclaimed.

Rev	Date	Drn	Chk'd	App'd	Description
M01	13/05/2022	DS	EE	SMG	ISSUE FOR PHASE 4 : PLANNING

Client: **NTA**  
Údarás Náisiúnta Iompair  
National Transport Authority

Engineering Designer: **PROD**  
TYPSA

Date: 13/05/2022 | Scale: 1:250 @ A1, 1:500 @ A3 | Drawn: DS | Checked: EE | Approved: SMG

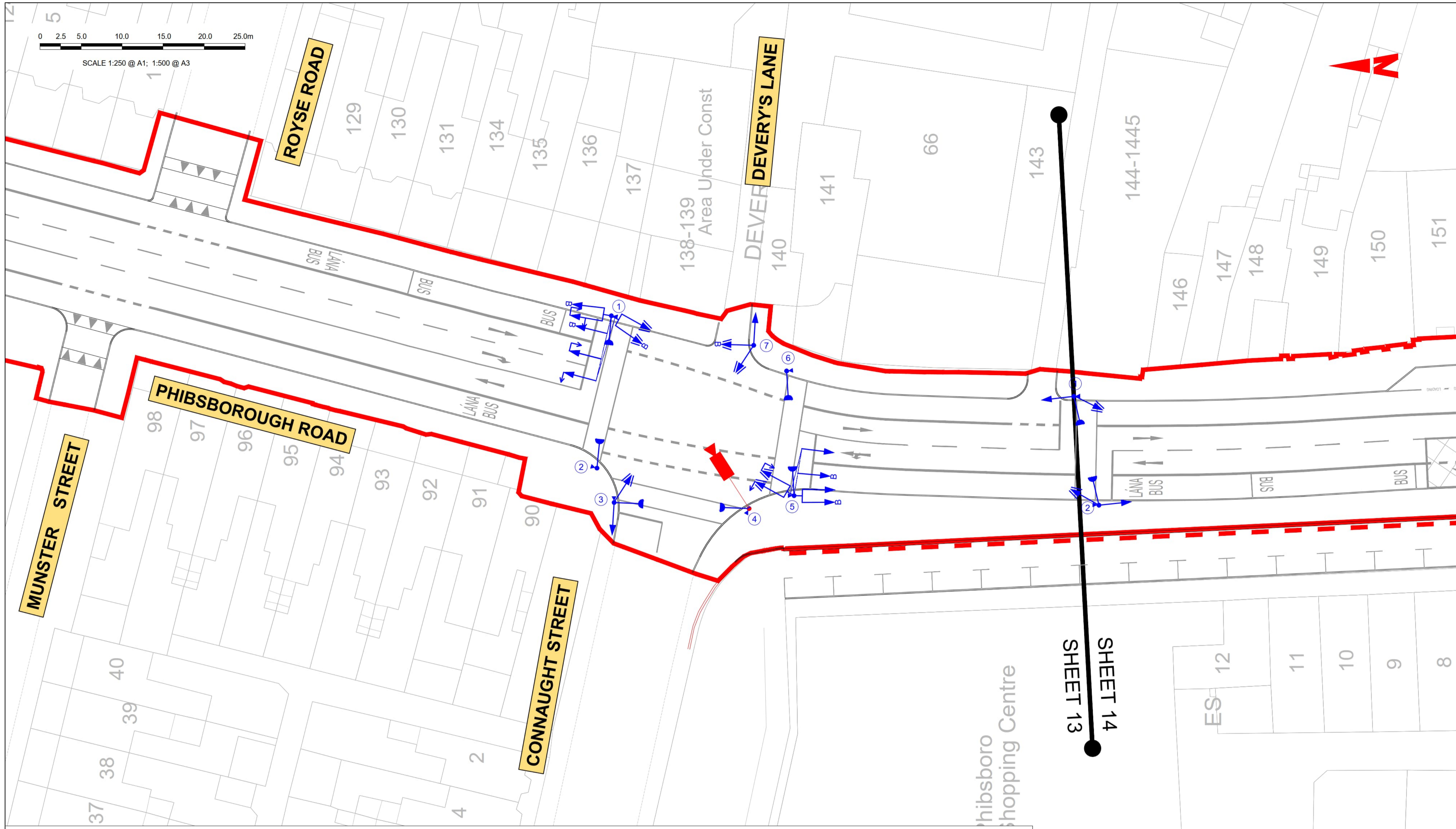
Programme Code: BCIDD | Originator Code: ROT | QMS Code:

Programme Title: **BUSCONNECTS DUBLIN**  
**CORE BUS CORRIDORS INFRASTRUCTURE WORKS**

Drawing Title: BALLYMUN / FINGLAS TO CITY CENTRE CORE BUS CORRIDOR SCHEME  
JUNCTION SYSTEM DESIGN  
WHITWORTH ROAD / PROSPECT ROAD

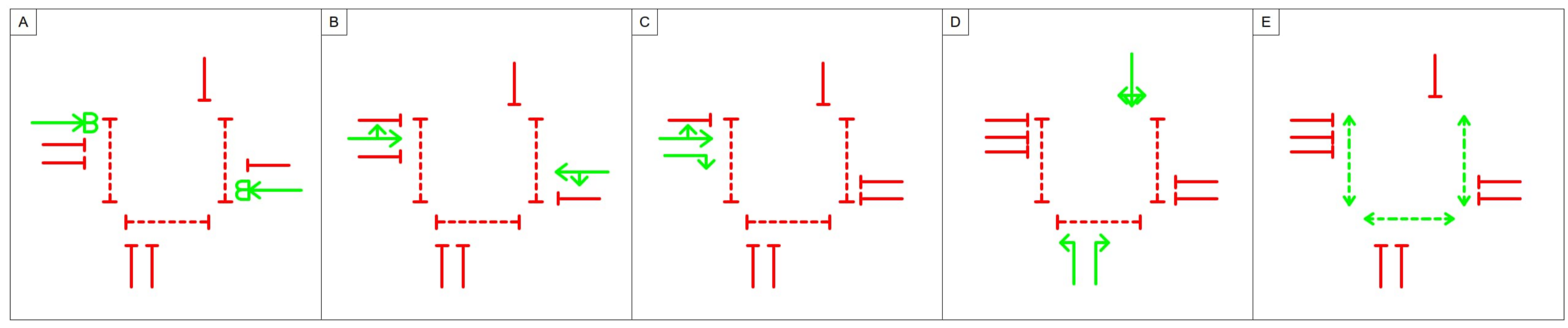
Drawing File Name: BCIDD-ROT-TSM\_SJ-0304\_XX\_00-DR-CR-0018 | Sheet Number: 18 of 38 | Status: A | Rev: M01





- LEGEND:**
- TRAFFIC SIGNAL HEADS:**
- RTS 001 PRIMARY
  - RTS 001 SECONDARY
  - RTS 002 PRIMARY
  - RTS 002 SECONDARY
  - RTS 003 (RUS 012) PRIMARY
  - RTS 003 (RUS 012) SECONDARY
  - RTS 007 (LOW LEVEL) PRIMARY
  - RPC 004 PEDESTRIAN HEAD
- TRAFFIC SIGNAL EQUIPMENT:**
- POLE (STANDARD HEIGHT)
  - TALL POLE (CCTV/TRAFFIC SIGNALS)
  - POLE NUMBER
  - PUSH BUTTON UNIT
  - PAN / TILT / ZOOM CCTV CAMERA
- GENERAL:**
- SITE BOUNDARY LINE
  - TEMPORARY LAND ACQUISITION

**INDICATIVE METHOD OF CONTROL**



**Disclaimer**

a. © National Transport Authority (NTA) 2022. This drawing is confidential and the copyright in it is owned by NTA. This drawing must not be either loaned, copied or otherwise reproduced in whole or in part or used for any purpose without the prior permission of NTA.

b. This drawing is to be used for the design element identified in the titlebox. Other information shown is to be considered indicative only. The drawing is to be read in conjunction with all other relevant design drawings.

c. O.S. data used for plans are printed under © Ordnance Survey Ireland Government of Ireland. All rights reserved. Licence Number 2022/OSI\_NMA\_180 National Transport Authority. All elevations are in metres and relate to OSI Geoid Model (OSGM15) Mean Head. All Co-ordinates are in Irish

Transverse Mercator Grid (ITM) as defined by OSI active local GPS station.

d. Information concerning the position of apparatus shown on this drawing is based on drawings supplied by the utility owners and/or the utility works contractor, whilst every care has been taken in the preparation of this drawing, positions should be taken as approximate and are intended for general guidance only and no representation is made by the NTA as to the accuracy, completeness, sufficiency or otherwise of this drawing and the position of the apparatus. The information contained herein does not purport to be comprehensive or final as the apparatus is subject to being altered and/or superseded. Recipients should not rely on this information. Any liabilities are hereby expressly disclaimed.

e. The information contained herein has been provided by the NTA but does not purport to be comprehensive or final. Recipients should not rely on the information. Neither the NTA nor any of its directors, officers, employees, agents, stakeholders or advisers make any representation or warranty as to, or accept any liability or responsibility in relation to, the adequacy, accuracy, reasonableness or completeness of the information provided as part of this document or any matter on which the information is based (including but not limited to loss or damage arising as a result of reliance by recipients on the information or any part of it). Any liabilities are hereby expressly disclaimed.



Rev	Date	Dwn	Chk'd	App'd	Description
M01	13/05/2022	DS	EE	SMG	ISSUE FOR PHASE 4 : PLANNING

Client

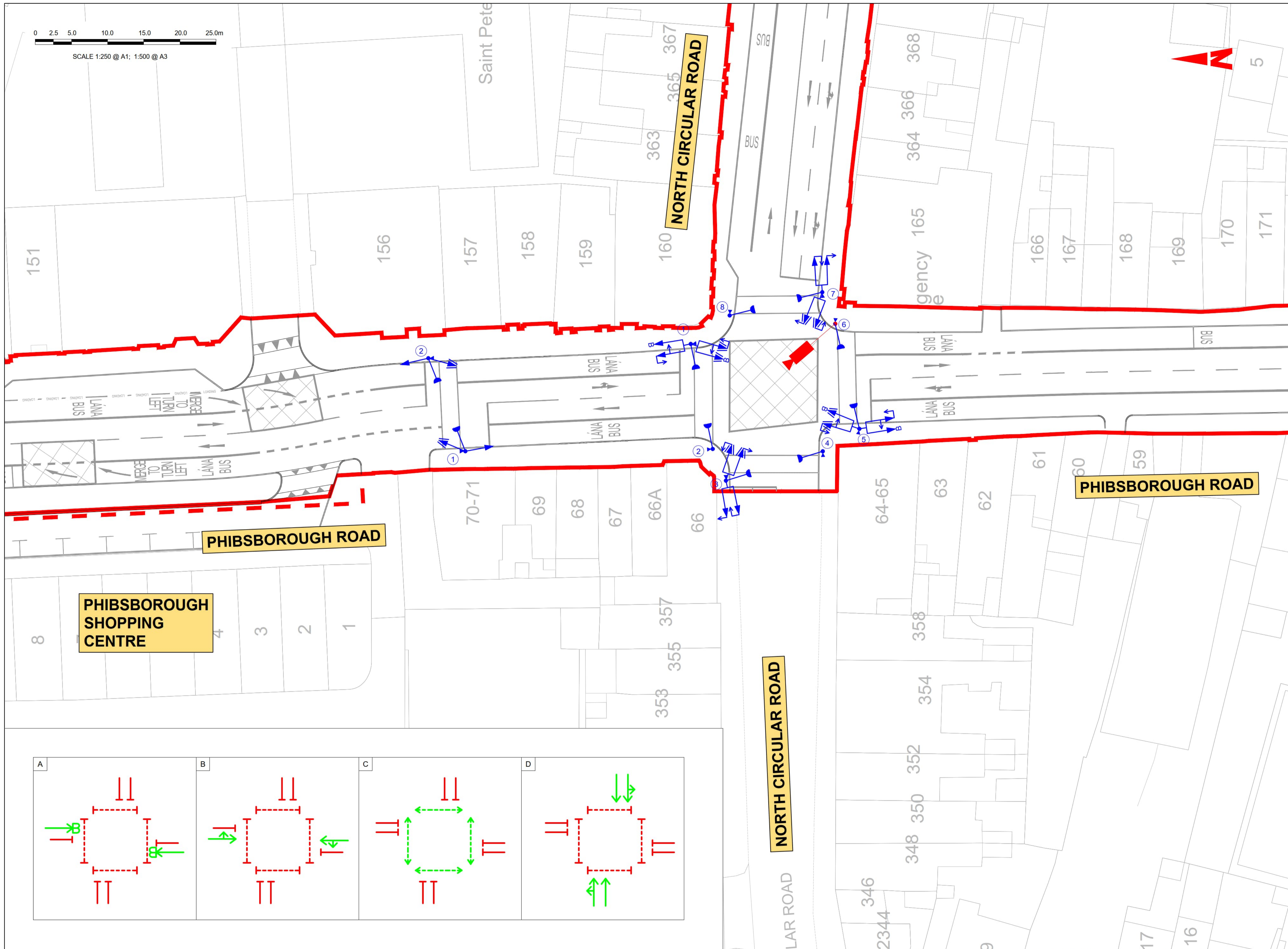
Engineering Designer

Programme Title <b>BUSCONNECTS DUBLIN CORE BUS CORRIDORS INFRASTRUCTURE WORKS</b>				
Drawing Title BALLYMUN / FINGLAS TO CITY CENTRE CORE BUS CORRIDOR SCHEME JUNCTION SYSTEM DESIGN CONNAUGHT STREET / PHIBSBOROUGH ROAD				
Date 13/05/2022	Scale 1:250 @ A1 1:500 @ A3	Drawn DS	Checked EE	Approved SMG
Programme Code BCIDD	Originator Code ROT	QMS Code		Drawing File Name BCIDD-ROT-TSM_SJ-0304_XX_00-DR-CR-0019
Sheet Number 19 of 38	Status A	Rev M01		



0 2.5 5.0 10.0 15.0 20.0 25.0m

SCALE 1:250 @ A1; 1:500 @ A3



**LEGEND:**

**TRAFFIC SIGNAL HEADS:**

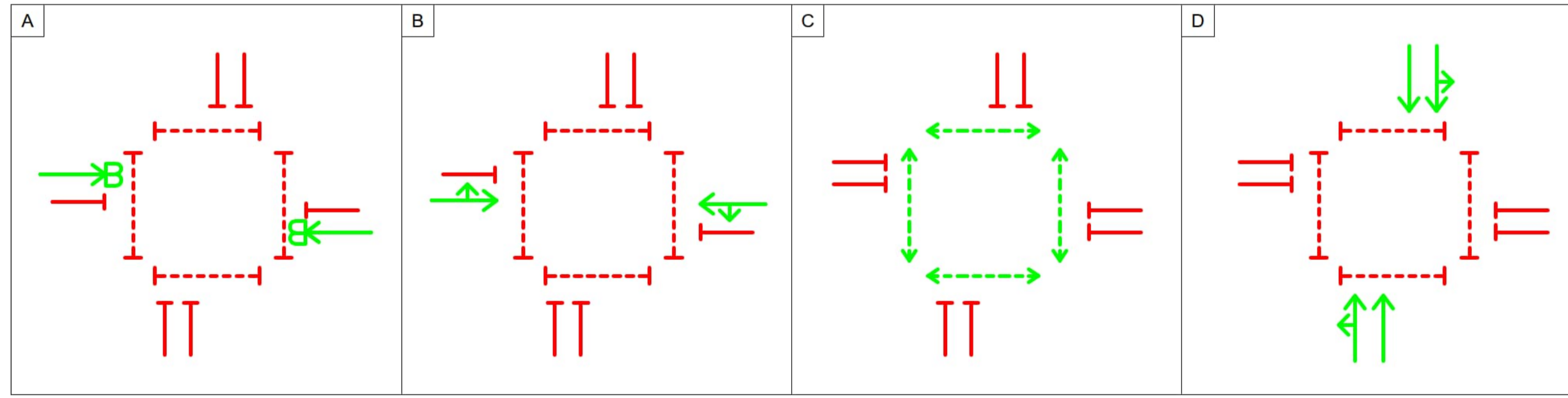
- RTS 001 PRIMARY
- RTS 001 SECONDARY
- RTS 002 PRIMARY
- RTS 002 SECONDARY
- RTS 003 (RUS 012) PRIMARY
- RTS 003 (RUS 012) SECONDARY
- RTS 007 (LOW LEVEL) PRIMARY
- RPC 004 PEDESTRIAN HEAD

**TRAFFIC SIGNAL EQUIPMENT:**

- POLE (STANDARD HEIGHT)
- TALL POLE (CCTV/TRAFFIC SIGNALS)
- POLE NUMBER
- PUSH BUTTON UNIT
- PAN / TILT / ZOOM CCTV CAMERA

**GENERAL:**

- SITE BOUNDARY LINE
- TEMPORARY LAND ACQUISITION



**Disclaimer**  
 a. © National Transport Authority (NTA) 2022. This drawing is confidential and the copyright in it is owned by NTA. This drawing must not be either loaned, copied or otherwise reproduced in whole or in part or used for any purpose without the prior permission of NTA.  
 b. This drawing is to be used for the design element identified in the titlebox. Other information shown is to be considered indicative only. The drawing is to be read in conjunction with all other relevant design drawings.  
 c. O.S. data used for plans are printed under © Ordnance Survey Ireland Government of Ireland. All rights reserved. Licence Number 2022/OSI\_hMA\_180 National Transport Authority. All elevations are in metres and relate to OSI Geoid Model (OSGM15) Mean Head. All Co-ordinates are in Irish

Transverse Mercator Grid (ITM) as defined by OSI active local GPS station.  
 d. Information concerning the position of apparatus shown on this drawing is based on drawings supplied by the utility owners and/or the utility works contractor, whilst every care has been taken in the preparation of this drawing, positions should be taken as approximate and are intended for general guidance only and no representation is made by the NTA as to the accuracy, completeness, sufficiency or otherwise of this drawing and the position of the apparatus. The information contained herein does not purport to be comprehensive or final as the apparatus is subject to being altered and/or superseded. Recipients should not rely on this information. Any liabilities are hereby expressly disclaimed.

e. The information contained herein has been provided by the NTA but does not purport to be comprehensive or final. Recipients should not rely on the information. Neither the NTA nor any of its directors, officers, employees, agents, stakeholders or advisers make any representation or warranty as to, or accept any liability or responsibility in relation to, the adequacy, accuracy, reasonableness or completeness of the information provided as part of this document or any matter on which the information is based (including but not limited to loss or damage arising as a result of reliance by recipients on the information or any part of it). Any liabilities are hereby expressly disclaimed.



Rev	Date	Drn	Chk'd	App'd	Description
M01	13/05/2022	DS	EE	SMG	ISSUE FOR PHASE 4 : PLANNING

Client: **NTA**  
 Údarás Náisiúnta Iompair  
 National Transport Authority

Engineering Designer: **FIROD**  
 TYPSA

Date: 13/05/2022 Scale: 1:250 @ A1, 1:500 @ A3  
 Drawn: DS Checked: EE Approved: SMG

Programme Code: BCIDD Originator Code: ROT QMS Code:

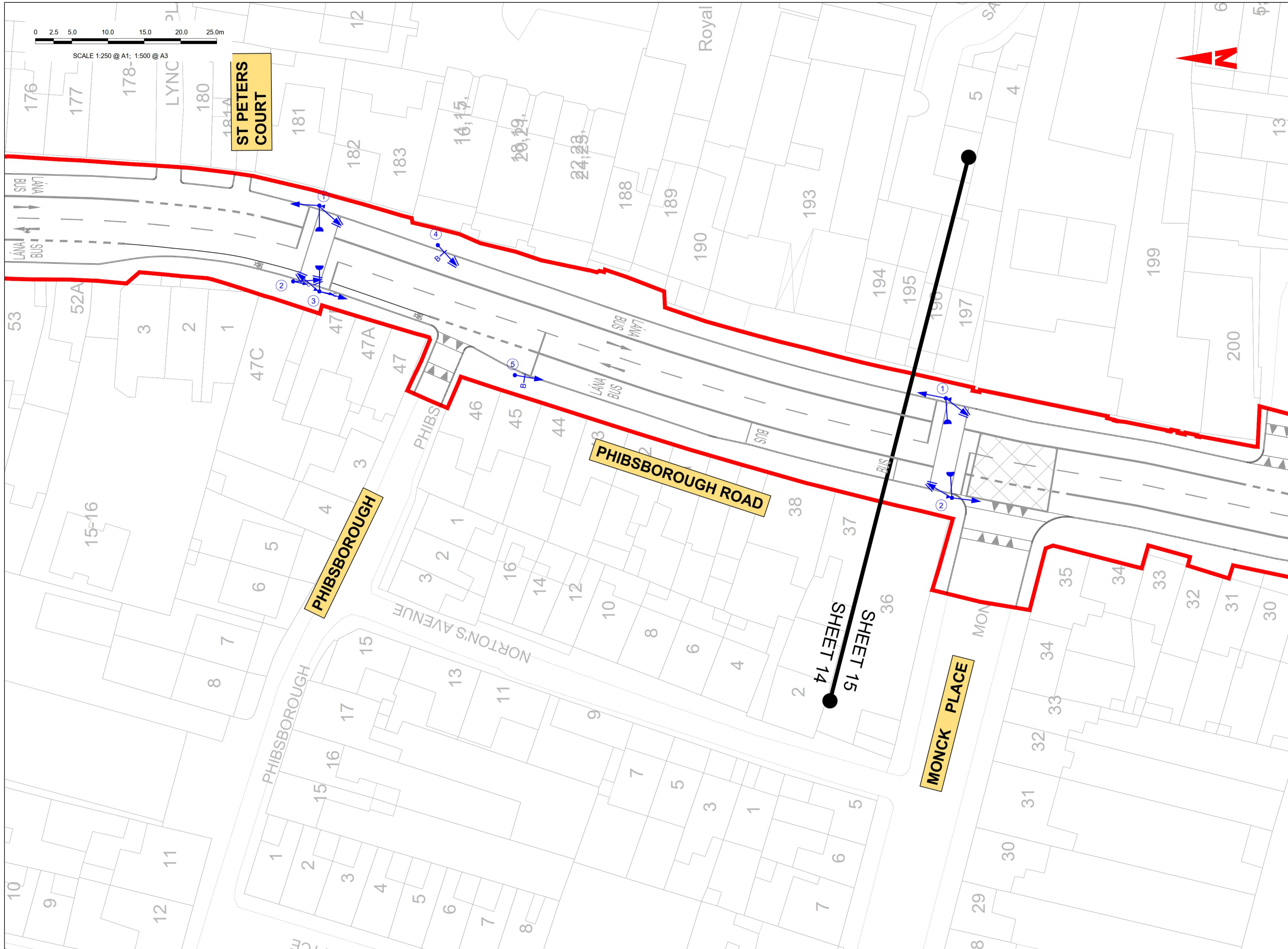
Programme Title: **BUSCONNECTS DUBLIN**  
**CORE BUS CORRIDORS INFRASTRUCTURE WORKS**

Drawing Title: **BALLYMUN / FINGLAS TO CITY CENTRE CORE BUS CORRIDOR SCHEME**  
**JUNCTION SYSTEM DESIGN**  
**DOYLES CORNER**

Drawing File Name: BCIDD-ROT-TSM\_SJ-0304\_XX\_00-DR-CR-0020 Sheet Number: 20 of 38 Status: A Rev: M01

DO NOT SCALE USE FIGURED DIMENSIONS ONLY





- LEGEND:**
- TRAFFIC SIGNAL HEADS:**
- RTS 001 PRIMARY
  - RTS 001 SECONDARY
  - RTS 002 PRIMARY
  - RTS 002 SECONDARY
  - RTS 003 (RUS 012) PRIMARY
  - RTS 003 (RUS 012) SECONDARY
  - RTS 007 (LOW LEVEL) PRIMARY
  - RPC 004 PEDESTRIAN HEAD
- TRAFFIC SIGNAL EQUIPMENT:**
- POLE (STANDARD HEIGHT)
  - TALL POLE (CCTV/TRAFFIC SIGNALS)
  - POLE NUMBER
  - PUSH BUTTON UNIT
  - PAN / TILT / ZOOM CCTV CAMERA
- GENERAL:**
- SITE BOUNDARY LINE
  - TEMPORARY LAND ACQUISITION

**Disclaimer**

a. © National Transport Authority (NTA) 2022. This drawing is confidential and the copyright in it is owned by NTA. This drawing must not be either loaned, copied or otherwise reproduced in whole or in part or used for any purpose without the prior permission of NTA.

b. This drawing is to be used for the design element identified in the title block. Other information shown is to be considered indicative only. The drawing is to be read in conjunction with all other relevant design drawings.

c. O.S. data used for plans are printed under © Ordnance Survey Ireland Government of Ireland. All rights reserved. Licence Number 2022/OSI\_NMA\_180 National Transport Authority. All elevations are in metres and relate to OSI Geoid Model (OSGM15) Mean Head. All Co-ordinates are in Irish Transverse Mercator Grid (ITM) as defined by OSI active local GPS station.

d. Information concerning the position of apparatus shown on this drawing is based on drawings supplied by the utility owners and/or the utility works contractor, whilst every care has been taken in the preparation of this drawing, positions should be taken as approximate and are intended for general guidance only and no representation is made by the NTA as to the accuracy, completeness, sufficiency or otherwise of this drawing and the position of the apparatus. The information contained herein does not purport to be comprehensive or final as the apparatus is subject to being altered and/or superseded. Recipients should not rely on this information. Any liabilities are hereby expressly disclaimed.

e. The information contained herein has been provided by the NTA but does not purport to be comprehensive or final. Recipients should not rely on the information. Neither the NTA nor any of its directors, officers, employees, agents, stakeholders or advisers make any representation or warranty as to, or accept any liability or responsibility in relation to, the adequacy, accuracy, reasonableness or completeness of the information provided as part of this document or any matter on which the information is based (including but not limited to loss or damage arising as a result of reliance by recipients on the information or any part of it). Any liabilities are hereby expressly disclaimed.

**Project Ireland 2040**  
Building Ireland's Future

Rev	Date	Drm	Chk'd	App'd	Description
M01	13/05/2022	DS	EE	SMG	ISSUE FOR PHASE 4 : PLANNING

Client: **NTA**  
Údarás Náisiúnta Iompair  
National Transport Authority

Engineering Designer: **FIROD**  
TYPSA

Date: 13/05/2022  
Scale: 1:250 @ A1  
1:500 @ A3

Drawn: DS  
Checked: EE  
Approved: SMG

Programme Code: BCIDD  
Originator Code: ROT  
QMS Code:

Programme Title: **BUSCONNECTS DUBLIN**  
**CORE BUS CORRIDORS INFRASTRUCTURE WORKS**

Drawing Title: **BALLYMUN / FINGLAS TO CITY CENTRE CORE BUS CORRIDOR SCHEME**  
JUNCTION SYSTEM DESIGN  
PEDESTRIAN CROSSINGS

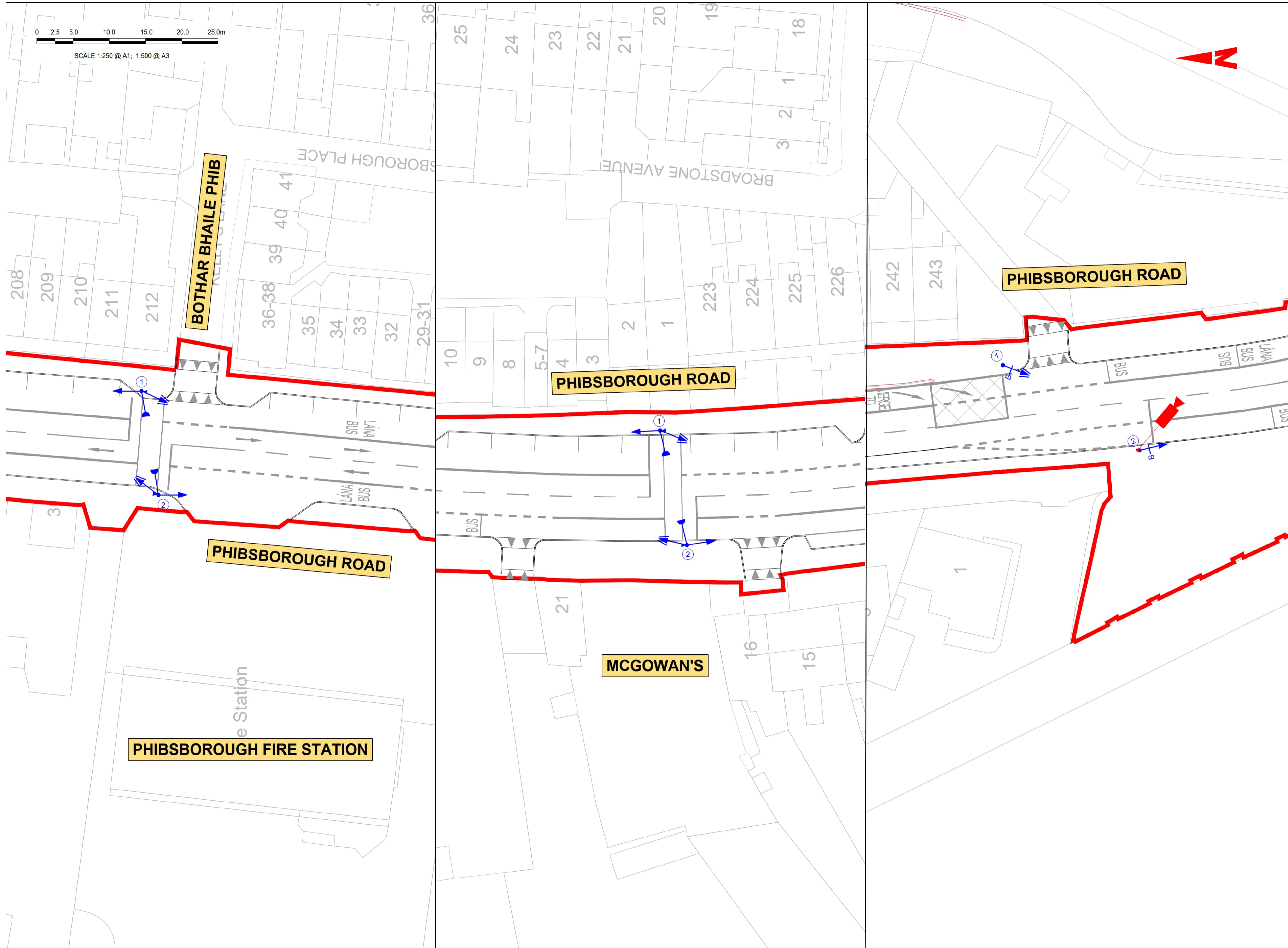
Drawing File Name: BCIDD-ROT-TSM\_SJ-0304\_XX\_00-DR-CR-0021  
Sheet Number: 21 of 38  
Status: A  
Rev: M01

DO NOT SCALE USE FIGURED DIMENSIONS ONLY





SCALE 1:250 @ A1; 1:500 @ A3



**LEGEND:**

**TRAFFIC SIGNAL HEADS:**

- RTS 001 PRIMARY
- RTS 001 SECONDARY
- RTS 002 PRIMARY
- RTS 002 SECONDARY
- RTS 003 (RUS 012) PRIMARY
- RTS 003 (RUS 012) SECONDARY
- RTS 007 (LOW LEVEL) PRIMARY
- RPC 004 PEDESTRIAN HEAD

**TRAFFIC SIGNAL EQUIPMENT:**

- POLE (STANDARD HEIGHT)
- TALL POLE (CCTV/TRAFFIC SIGNALS)
- POLE NUMBER
- PUSH BUTTON UNIT
- PAN / TILT / ZOOM CCTV CAMERA

**GENERAL:**

- SITE BOUNDARY LINE
- TEMPORARY LAND ACQUISITION

**Disclaimer**

a. © National Transport Authority (NTA) 2022. This drawing is confidential and the copyright in it is owned by NTA. This drawing must not be either loaned, copied or otherwise reproduced in whole or in part or used for any purpose without the prior permission of NTA.

b. This drawing is to be used for the design element identified in the titlebox. Other information shown is to be considered indicative only. The drawing is to be read in conjunction with all other relevant design drawings.

c. O.S. data used for plans are printed under © Ordnance Survey Ireland Government of Ireland. All rights reserved. Licence Number 2022/OSI\_NMA\_180 National Transport Authority. All elevations are in metres and relate to OSI Geoid Model (OSGM15) Mean Head. All Co-ordinates are in Irish Transverse Mercator Grid (ITM) as defined by OSI active local GPS station.

d. Information concerning the position of apparatus shown on this drawing is based on drawings supplied by the utility owners and/or the utility works contractor, whilst every care has been taken in the preparation of this drawing, positions should be taken as approximate and are intended for general guidance only and no representation is made by the NTA as to the accuracy, completeness, sufficiency or otherwise of this drawing and the position of the apparatus. The information contained herein does not purport to be comprehensive or final as the apparatus is subject to being altered and/or superceded. Recipients should not rely on this information. Any liabilities are hereby expressly disclaimed.

e. The information contained herein has been provided by the NTA but does not purport to be comprehensive or final. Recipients should not rely on the information. Neither the NTA nor any of its directors, officers, employees, agents, stakeholders or advisers make any representation or warranty as to, or accept any liability or responsibility in relation to, the adequacy, accuracy, reasonableness or completeness of the information provided as part of this document or any matter on which the information is based (including but not limited to loss or damage arising as a result of reliance by recipients on the information or any part of it). Any liabilities are hereby expressly disclaimed.

Rev	Date	Dwn	Chk'd	App'd	Description
M01	13/05/2022	DS	EE	SMG	ISSUE FOR PHASE 4 : PLANNING

Client: **NTA**  
Údarás Náisiúnta Iompair  
National Transport Authority

Engineering Designer: **FIROD**  
TYPSA

Date: 13/05/2022  
Scale: 1:250 @ A1  
1:500 @ A3

Drawn: DS  
Checked: EE  
Approved: SMG

Programme Code: BCIDD  
Originator Code: ROT  
QMS Code:

Programme Title: **BUSCONNECTS DUBLIN**  
**CORE BUS CORRIDORS INFRASTRUCTURE WORKS**

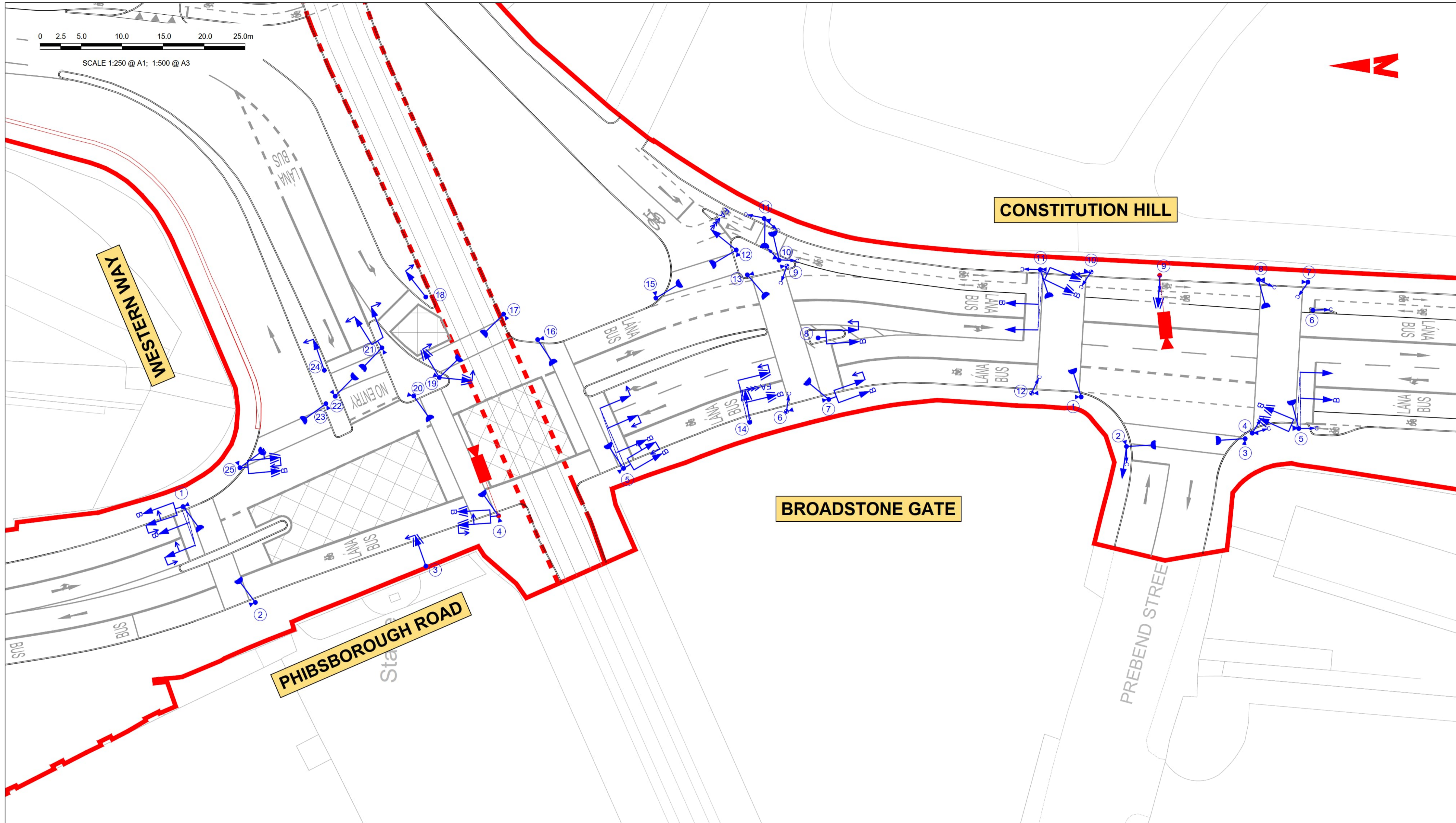
Drawing Title: **BALLYMUN / FINGLAS TO CITY CENTRE CORE BUS CORRIDOR SCHEME**  
JUNCTION SYSTEM DESIGN  
PEDESTRIAN CROSSINGS

Drawing File Name: BCIDD-ROT-TSM\_SJ-0304\_XX\_00-DR-CR-0022  
Sheet Number: 22 of 38  
Status: A  
Rev: M01



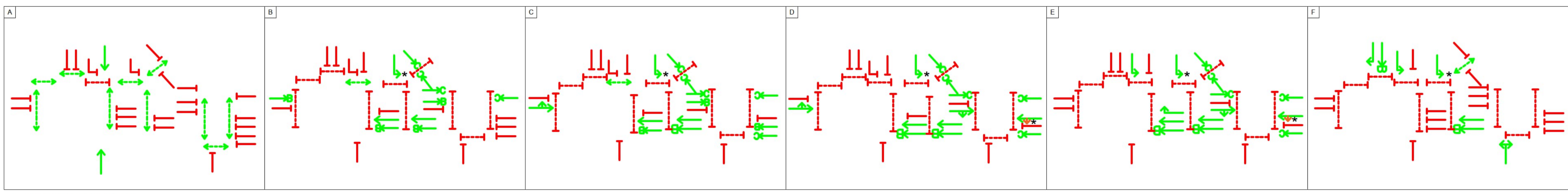
DO NOT SCALE USE FIGURED DIMENSIONS ONLY





- LEGEND:**
- TRAFFIC SIGNAL HEADS:**
- RTS 001 PRIMARY
  - RTS 001 SECONDARY
  - RTS 002 PRIMARY
  - RTS 002 SECONDARY
  - RTS 003 (RUS 012) PRIMARY
  - RTS 003 (RUS 012) SECONDARY
  - RTS 007 (LOW LEVEL) PRIMARY
  - RPC 004 PEDESTRIAN HEAD
- TRAFFIC SIGNAL EQUIPMENT:**
- POLE (STANDARD HEIGHT)
  - TALL POLE (CCTV/TRAFFIC SIGNALS)
  - POLE NUMBER
  - PUSH BUTTON UNIT
  - PAN / TILT / ZOOM CCTV CAMERA
- GENERAL:**
- SITE BOUNDARY LINE
  - TEMPORARY LAND ACQUISITION

INDICATIVE METHOD OF CONTROL



\* DENOTES FLASHING AMBER

**Disclaimer**

a. © National Transport Authority (NTA) 2022. This drawing is confidential and the copyright in it is owned by NTA. This drawing must not be either loaned, copied or otherwise reproduced in whole or in part or used for any purpose without the prior permission of NTA.

b. This drawing is to be used for the design element identified in the titlebox. Other information shown is to be considered indicative only. The drawing is to be read in conjunction with all other relevant design drawings.

c. O.S. data used for plans are printed under © Ordnance Survey Ireland Government of Ireland. All rights reserved. Licence Number 2022/OSI\_NMA\_180 National Transport Authority. All elevations are in metres and relate to OSI Geoid Model (OSGM15) Mean Head. All Co-ordinates are in Irish Transverse Mercator Grid (ITM) as defined by OSI active local GPS station.

d. Information concerning the position of apparatus shown on this drawing is based on drawings supplied by the utility owners and/or the utility works contractor, whilst every care has been taken in the preparation of this drawing, positions should be taken as approximate and are intended for general guidance only and no representation is made by the NTA as to the accuracy, completeness, sufficiency or otherwise of this information. The information contained herein does not purport to be comprehensive or final as the apparatus is subject to being altered and/or superseded. Recipients should not rely on this information. Any liabilities are hereby expressly disclaimed.

e. The information contained herein has been provided by the NTA but does not purport to be comprehensive or final. Recipients should not rely on the information. Neither the NTA nor any of its directors, officers, employees, agents, stakeholders or advisers make any representation or warranty as to, or accept any liability or responsibility in relation to, the adequacy, accuracy, reasonableness or completeness of the information provided as part of this document or any matter on which the information is based (including but not limited to loss or damage arising as a result of reliance by recipients on the information or any part of it). Any liabilities are hereby expressly disclaimed.

Rev	Date	Drm	Chk'd	App'd	Description
M01	13/05/2022	DS	EE	SMG	ISSUE FOR PHASE 4 : PLANNING

Client: **NTA**  
Údarás Náisiúnta Iompair  
National Transport Authority

Engineering Designer: **TIROD**  
TYPSA

Date: 13/05/2022 Scale: 1:250 @ A1, 1:500 @ A3

Programme Code: BCIDD Originator Code: ROT

Drawn: DS Checked: EE Approved: SMG

QMS Code:

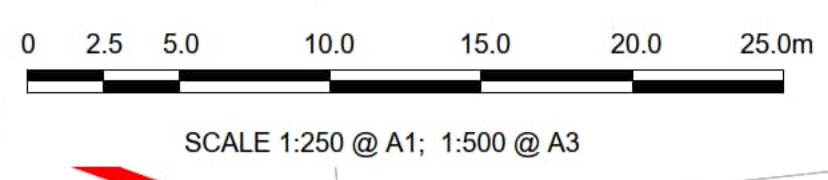
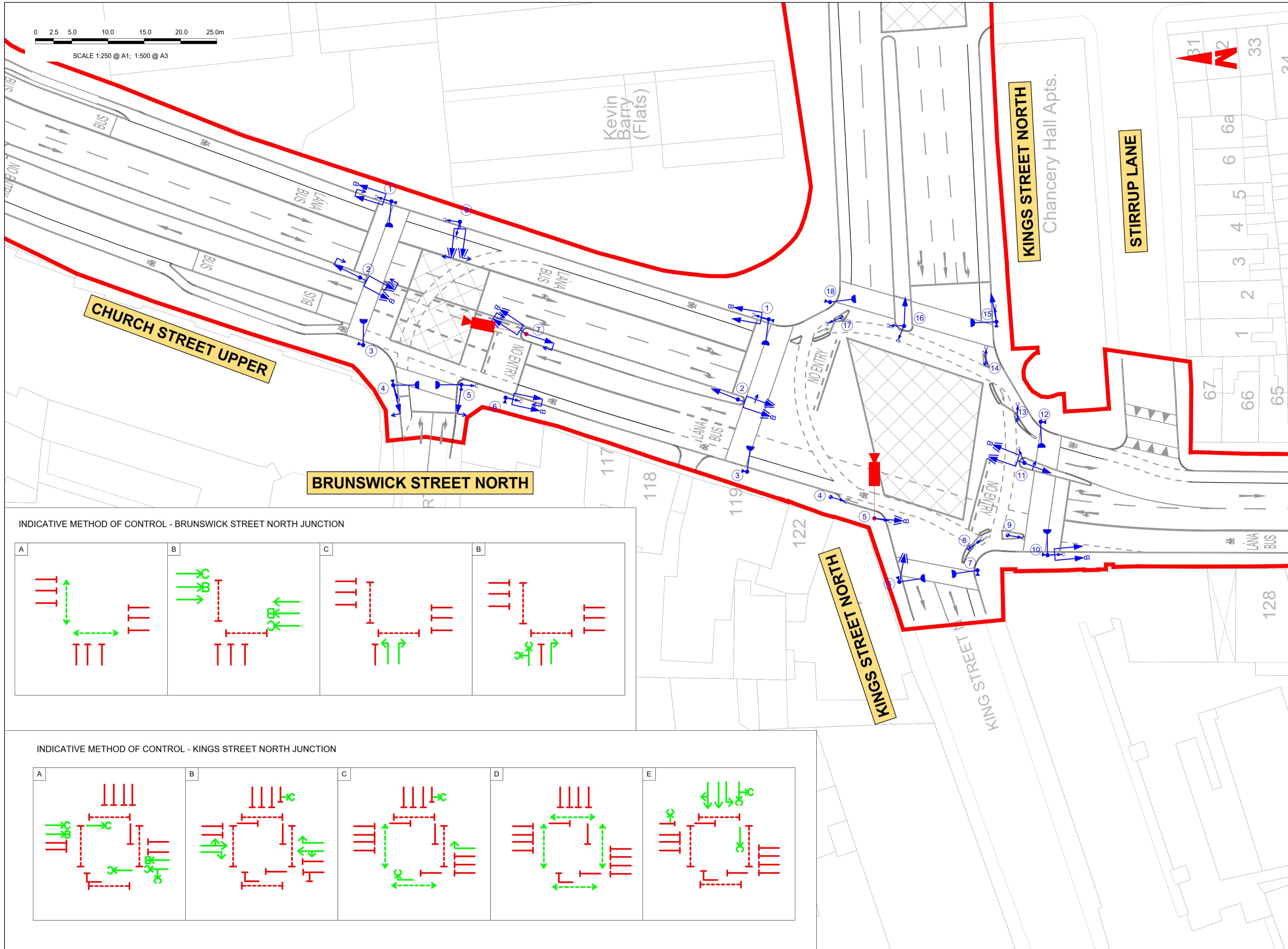
Programme Title: **BUSCONNECTS DUBLIN**  
**CORE BUS CORRIDORS INFRASTRUCTURE WORKS**

Drawing Title: BALLYMUN / FINGLAS TO CITY CENTRE CORE BUS CORRIDOR SCHEME  
JUNCTION SYSTEM DESIGN  
WESTERN WAY / BROADSTONE

Drawing File Name: BCIDD-ROT-TSM\_SJ-0304\_XX\_00-DR-CR-0023

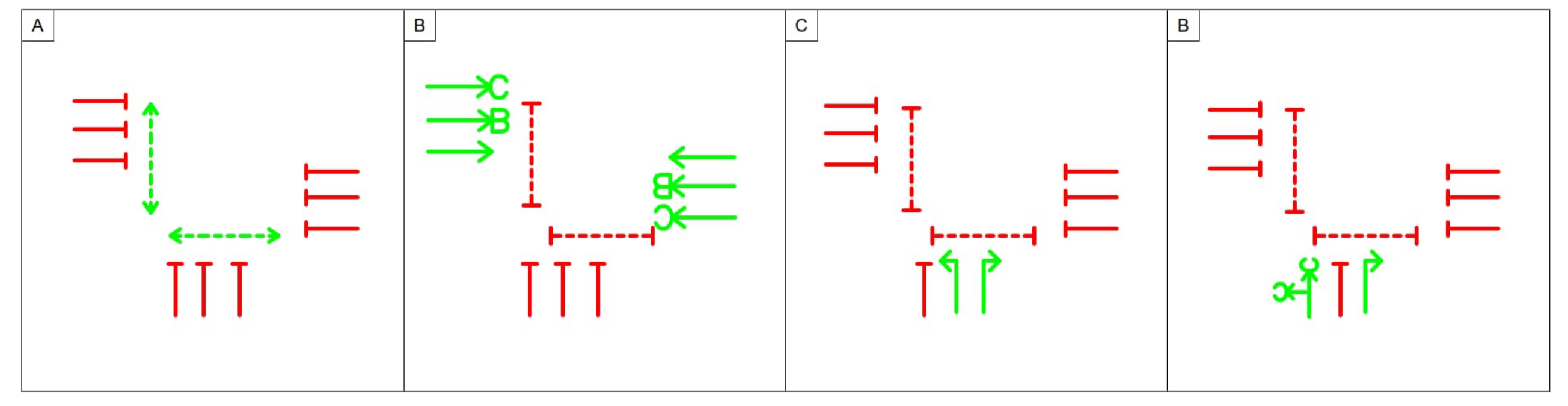
Sheet Number: 23 of 38 Status: A Rev: M01



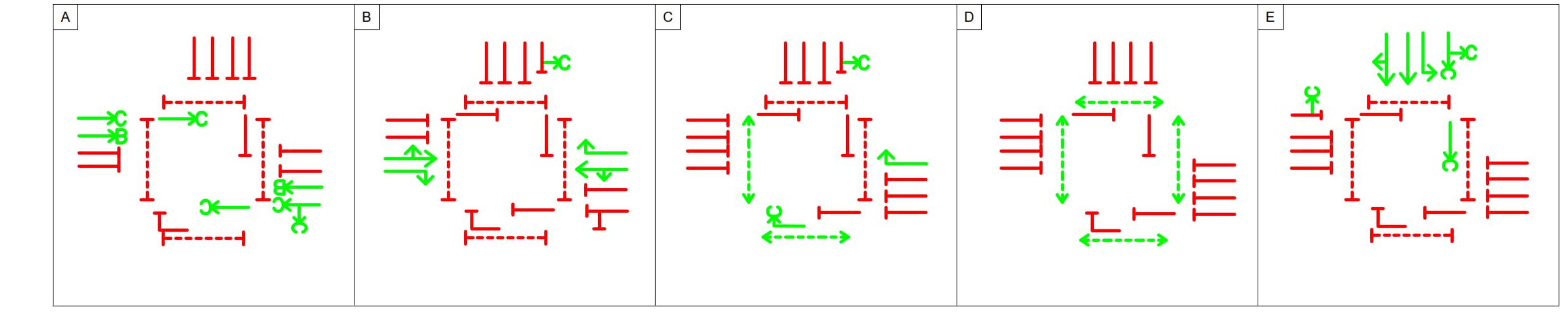


- LEGEND:**
- TRAFFIC SIGNAL HEADS:**
- RTS 001 PRIMARY
  - RTS 001 SECONDARY
  - RTS 002 PRIMARY
  - RTS 002 SECONDARY
  - RTS 003 (RUS 012) PRIMARY
  - RTS 003 (RUS 012) SECONDARY
  - RTS 007 (LOW LEVEL) PRIMARY
  - RPC 004 PEDESTRIAN HEAD
- TRAFFIC SIGNAL EQUIPMENT:**
- POLE (STANDARD HEIGHT)
  - TALL POLE (CCTV/TRAFFIC SIGNALS)
  - POLE NUMBER
  - PUSH BUTTON UNIT
  - PAN / TILT / ZOOM CCTV CAMERA
- GENERAL:**
- SITE BOUNDARY LINE
  - TEMPORARY LAND ACQUISITION

INDICATIVE METHOD OF CONTROL - BRUNSWICK STREET NORTH JUNCTION



INDICATIVE METHOD OF CONTROL - KINGS STREET NORTH JUNCTION



**Disclaimer**

a. © National Transport Authority (NTA) 2022. This drawing is confidential and the copyright in it is owned by NTA. This drawing must not be either loaned, copied or otherwise reproduced in whole or in part or used for any purpose without the prior permission of NTA.

b. This drawing is to be used for the design element identified in the titlebox. Other information shown is to be considered indicative only. The drawing is to be read in conjunction with all other relevant design drawings.

c. O.S. data used for plans are printed under © Ordnance Survey Ireland Government of Ireland. All rights reserved. Licence Number 2022/OSI\_NMA\_180 National Transport Authority. All elevations are in metres and relate to OSI Geoid Model (OSGM15) Mean Head. All Co-ordinates are in Irish

Transverse Mercator Grid (ITM) as defined by OSI active local GPS station.

d. Information concerning the position of apparatus shown on this drawing is based on drawings supplied by the utility owners and/or the utility works contractor, whilst every care has been taken in the preparation of this drawing, positions should be taken as approximate and are intended for general guidance only and no representation is made by the NTA as to the accuracy, completeness, sufficiency or otherwise of this drawing and the position of the apparatus. The information contained herein does not purport to be comprehensive or final as the apparatus is subject to being altered and/or superseded. Recipients should not rely on this information. Any liabilities are hereby expressly disclaimed.

e. The information contained herein has been provided by the NTA but does not purport to be comprehensive or final. Recipients should not rely on the information. Neither the NTA nor any of its directors, officers, employees, agents, stakeholders or advisers make any representation or warranty as to, or accept any liability or responsibility in relation to, the adequacy, accuracy, reasonableness or completeness of the information provided as part of this document or any matter on which the information is based (including but not limited to loss or damage arising as a result of reliance by recipients on the information or any part of it). Any liabilities are hereby expressly disclaimed.



Rev	Date	Drm	Chk'd	App'd	Description
M01	13/05/2022	DS	EE	SMG	ISSUE FOR PHASE 4 : PLANNING

Client: **NTA** Údarás Náisiúnta Iompair National Transport Authority

Engineering Designer: **FIROD** TYPSA

Date: 13/05/2022 Scale: 1:250 @ A1, 1:500 @ A3

Drawn: DS Checked: EE Approved: SMG

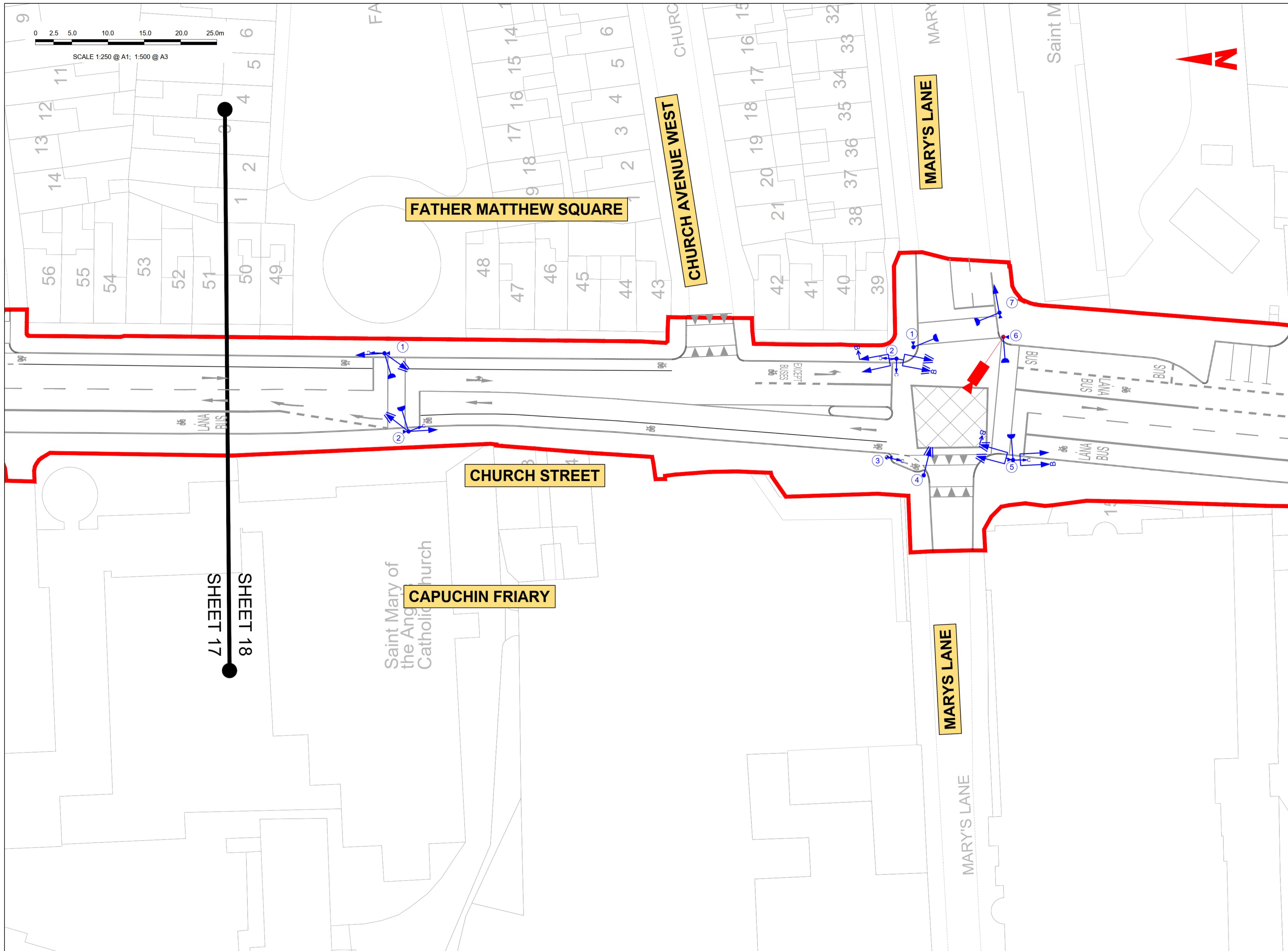
Programme Code: BCIDD Originator Code: ROT QMS Code:

Programme Title: **BUSCONNECTS DUBLIN CORE BUS CORRIDORS INFRASTRUCTURE WORKS**

Drawing Title: BALLYMUN / FINGLAS TO CITY CENTRE CORE BUS CORRIDOR SCHEME JUNCTION SYSTEM DESIGN BRUNSWICK STREET / CHURCH STREET UPPER & KING STREET NORTH / CHURCH STREET

Drawing File Name: BCIDD-ROT-TSM_SJ-0304_XX_00-DR-CR-0024	Sheet Number: 24 of 38	Status: A	Rev: M01
---	------------------------	-----------	----------





- LEGEND:**
- TRAFFIC SIGNAL HEADS:**
- RTS 001 PRIMARY
  - RTS 001 SECONDARY
  - RTS 002 PRIMARY
  - RTS 002 SECONDARY
  - RTS 003 (RUS 012) PRIMARY
  - RTS 003 (RUS 012) SECONDARY
  - RTS 007 (LOW LEVEL) PRIMARY
  - RPC 004 PEDESTRIAN HEAD
- TRAFFIC SIGNAL EQUIPMENT:**
- POLE (STANDARD HEIGHT)
  - TALL POLE (CCTV/TRAFFIC SIGNALS)
  - POLE NUMBER
  - PUSH BUTTON UNIT
  - PAN / TILT / ZOOM CCTV CAMERA
- GENERAL:**
- SITE BOUNDARY LINE
  - TEMPORARY LAND ACQUISITION

**Disclaimer**

a. © National Transport Authority (NTA) 2022. This drawing is confidential and the copyright in it is owned by NTA. This drawing must not be either loaned, copied or otherwise reproduced in whole or in part or used for any purpose without the prior permission of NTA.

b. This drawing is to be used for the design element identified in the titlebox. Other information shown is to be considered indicative only. The drawing is to be read in conjunction with all other relevant design drawings.

c. O.S. data used for plans are printed under © Ordnance Survey Ireland Government of Ireland. All rights reserved. Licence Number 2022/OSI\_NMA\_180 National Transport Authority. All elevations are in metres and relate to OSI Geoid Model (OSGM15) Mean Head. All Co-ordinates are in Irish Transverse Mercator Grid (ITM) as defined by OSI active local GPS station.

d. Information concerning the position of apparatus shown on this drawing is based on drawings supplied by the utility owners and/or the utility works contractor, whilst every care has been taken in the preparation of this drawing, positions should be taken as approximate and are intended for general guidance only and no representation is made by the NTA as to the accuracy, completeness, sufficiency or otherwise of this drawing and the position of the apparatus. The information contained herein does not purport to be comprehensive or final as the apparatus is subject to being altered and/or superceded. Recipients should not rely on this information. Any liabilities are hereby expressly disclaimed.

e. The information contained herein has been provided by the NTA but does not purport to be comprehensive or final. Recipients should not rely on the information. Neither the NTA nor any of its directors, officers, employees, agents, stakeholders or advisers make any representation or warranty as to, or accept any liability or responsibility in relation to, the adequacy, accuracy, reasonableness or completeness of the information provided as part of this document or any matter on which the information is based (including but not limited to loss or damage arising as a result of reliance by recipients on the information or any part of it). Any liabilities are hereby expressly disclaimed.

Project Ireland 2040  
Building Ireland's Future

Rev	Date	Dwn	Chk'd	App'd	Description
M01	13/05/2022	DS	EE	SMG	ISSUE FOR PHASE 4 : PLANNING

Client: **NTA**  
Údarás Náisiúnta Iompair  
National Transport Authority

Engineering Designer: **FIROD**  
TYPSA

Date: 13/05/2022 Scale: 1:250 @ A1, 1:500 @ A3

Drawn: DS Checked: EE Approved: SMG

Programme Code: BCIDD Originator Code: ROT QMS Code:

Programme Title: **BUSCONNECTS DUBLIN**  
**CORE BUS CORRIDORS INFRASTRUCTURE WORKS**

Drawing Title: **BALLYMUN / FINGLAS TO CITY CENTRE CORE BUS CORRIDOR SCHEME**  
JUNCTION SYSTEM DESIGN  
PEDESTRIAN CROSSINGS

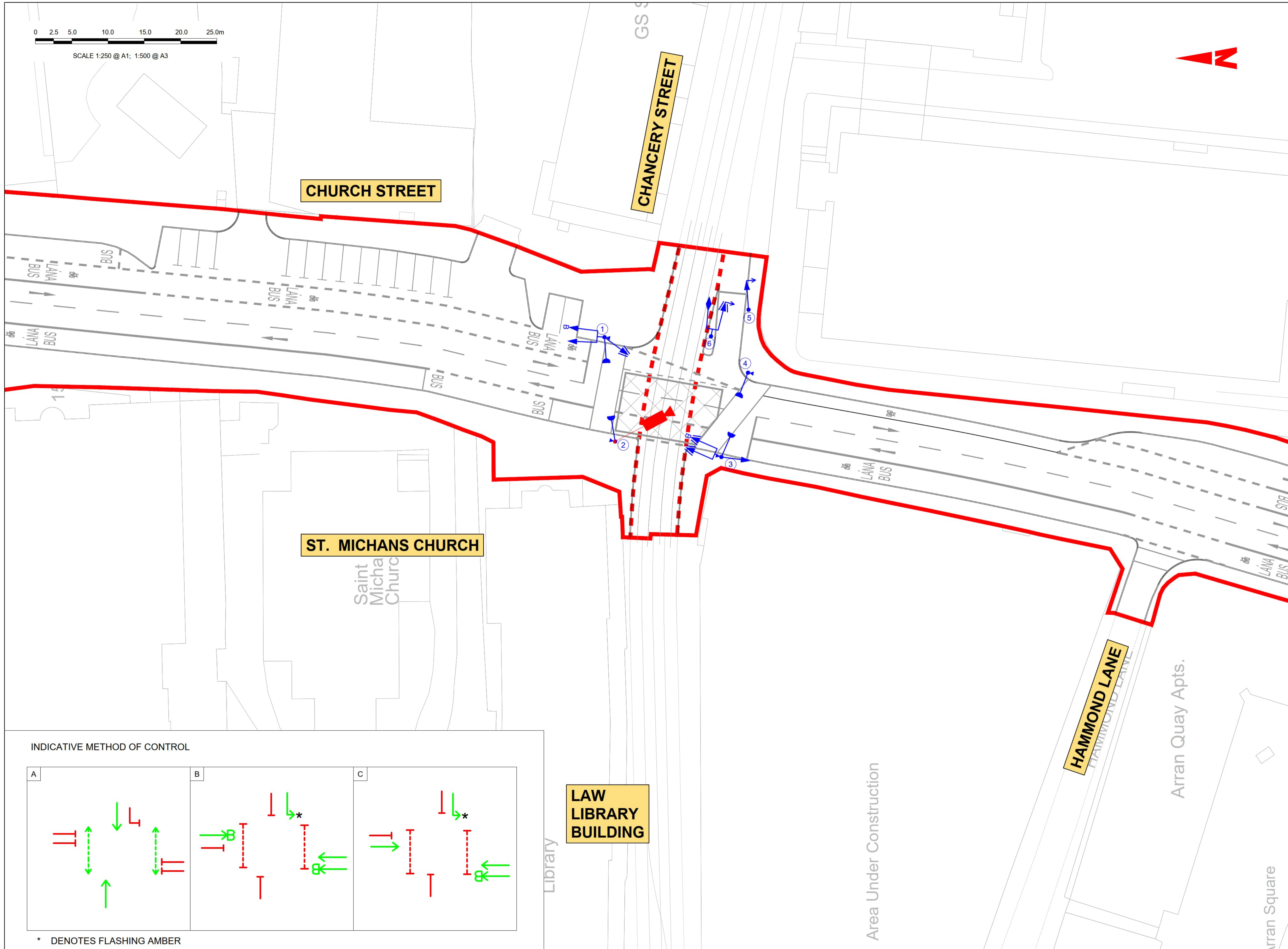
Drawing File Name: BCIDD-ROT-TSM\_SJ-0304\_XX\_00-DR-CR-0025 Sheet Number: 25 of 38 Status: A Rev: M01

DO NOT SCALE USE FIGURED DIMENSIONS ONLY



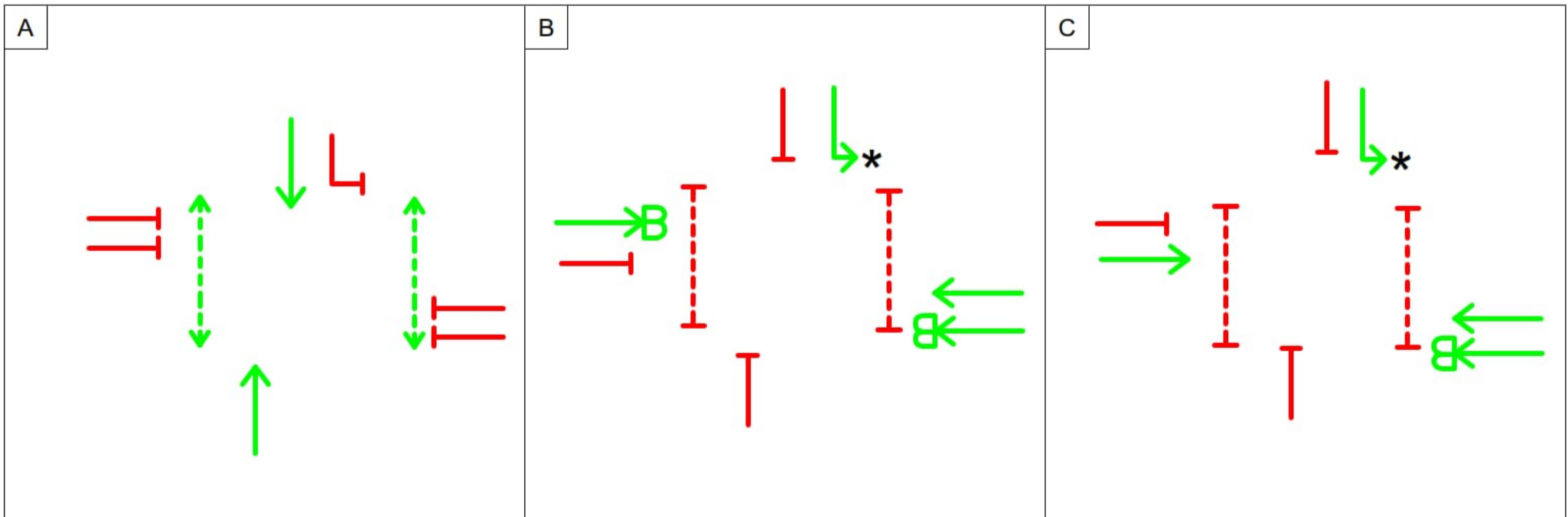


SCALE 1:250 @ A1; 1:500 @ A3



- LEGEND:**
- TRAFFIC SIGNAL HEADS:**
- RTS 001 PRIMARY
  - RTS 001 SECONDARY
  - RTS 002 PRIMARY
  - RTS 002 SECONDARY
  - RTS 003 (RUS 012) PRIMARY
  - RTS 003 (RUS 012) SECONDARY
  - RTS 007 (LOW LEVEL) PRIMARY
  - RPC 004 PEDESTRIAN HEAD
- TRAFFIC SIGNAL EQUIPMENT:**
- POLE (STANDARD HEIGHT)
  - TALL POLE (CCTV/TRAFFIC SIGNALS)
  - POLE NUMBER
  - PUSH BUTTON UNIT
  - PAN / TILT / ZOOM CCTV CAMERA
- GENERAL:**
- SITE BOUNDARY LINE
  - TEMPORARY LAND ACQUISITION

**INDICATIVE METHOD OF CONTROL**



\* DENOTES FLASHING AMBER

**ST. MICHANS CHURCH**  
Saint Michael's Church

**LAW LIBRARY BUILDING**  
Library

Area Under Construction

**HAMMOND LANE**  
HAMMOND LANE

Arran Quay Apts.

Arran Square

**Disclaimer**

a. © National Transport Authority (NTA) 2022. This drawing is confidential and the copyright in it is owned by NTA. This drawing must not be either loaned, copied or otherwise reproduced in whole or in part or used for any purpose without the prior permission of NTA.

b. This drawing is to be used for the design element identified in the title block. Other information shown is to be considered indicative only. The drawing is to be read in conjunction with all other relevant design drawings.

c. O.S. data used for plans are printed under © Ordnance Survey Ireland Government of Ireland. All rights reserved. Licence Number 2022/OSI\_NMA\_180 National Transport Authority. All elevations are in metres and relate to OSI Geoid Model (OSGM15) Mean Head. All Co-ordinates are in Irish Transverse Mercator Grid (ITM) as defined by OSI active local GPS station.

d. Information concerning the position of apparatus shown on this drawing is based on drawings supplied by the utility owners and/or the utility works contractor, whilst every care has been taken in the preparation of this drawing, positions should be taken as approximate and are intended for general guidance only and no representation is made by the NTA as to the accuracy, completeness, sufficiency or otherwise of this drawing and the position of the apparatus. The information contained herein does not purport to be comprehensive or final as the apparatus is subject to being altered and/or superceded. Recipients should not rely on this information. Any liabilities are hereby expressly disclaimed.

e. The information contained herein has been provided by the NTA but does not purport to be comprehensive or final. Recipients should not rely on the information. Neither the NTA nor any of its directors, officers, employees, agents, stakeholders or advisers make any representation or warranty as to, or accept any liability or responsibility in relation to, the adequacy, accuracy, reasonableness or completeness of the information provided as part of this document or any matter on which the information is based (including but not limited to loss or damage arising as a result of reliance by recipients on the information or any part of it). Any liabilities are hereby expressly disclaimed.



Rev	Date	Drn	Chk'd	App'd	Description
M01	13/05/2022	DS	EE	SMG	ISSUE FOR PHASE 4 : PLANNING

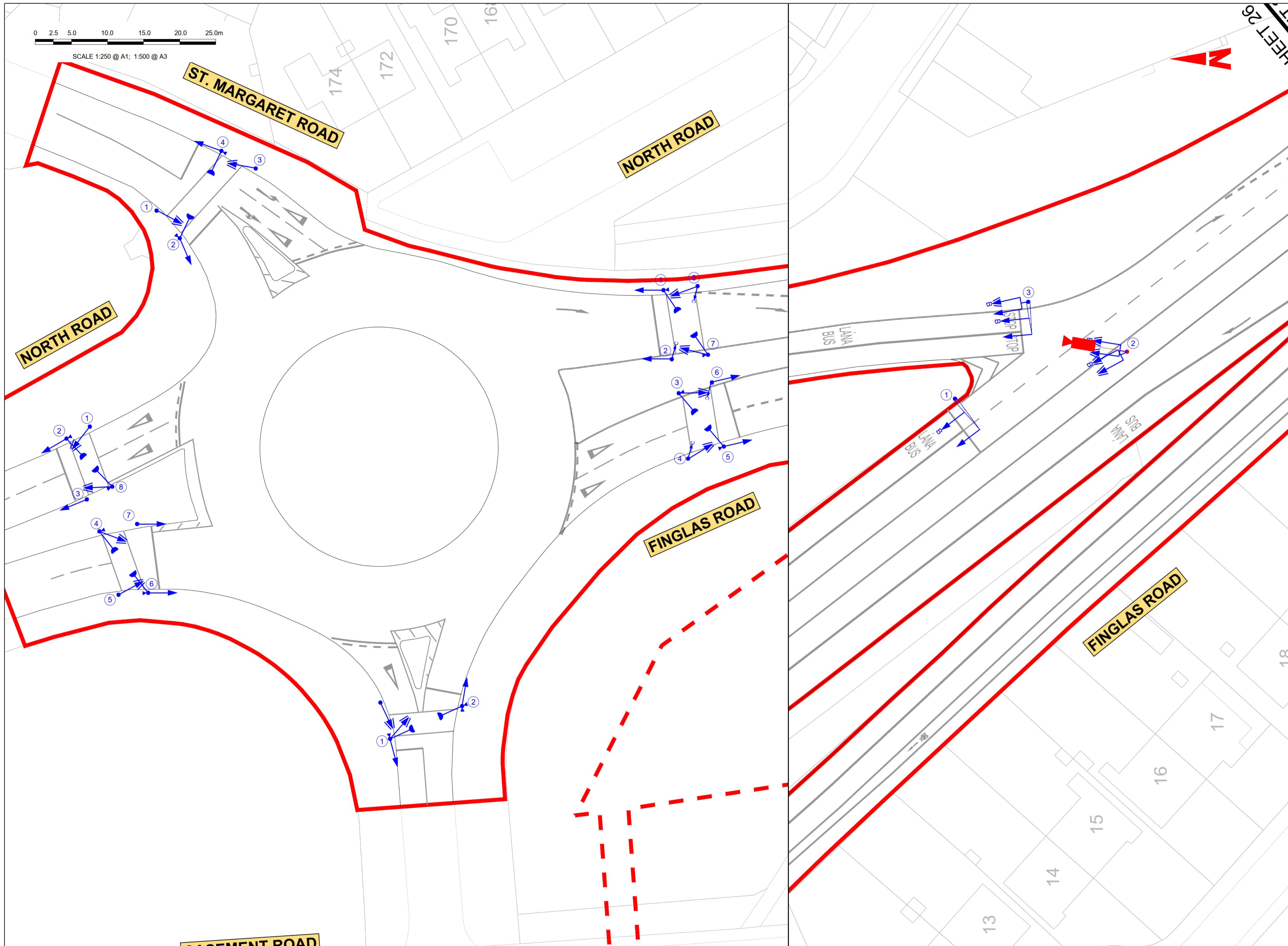
 Údarás Náisiúnta Iompair National Transport Authority		Engineering Designer  IROD TYPSA		
Date	Scale	Drawn	Checked	Approved
13/05/2022	1:250 @ A1 1:500 @ A3	DS	EE	SMG
Programme Code	Originator Code	QMS Code		
BCIDD	ROT			

Programme Title <b>BUSCONNECTS DUBLIN</b> <b>CORE BUS CORRIDORS INFRASTRUCTURE WORKS</b>			
Drawing Title BALLYMUN / FINGLAS TO CITY CENTRE CORE BUS CORRIDOR SCHEME JUNCTION SYSTEM DESIGN CHANCERY / CHURCH STREET			
Drawing File Name	Sheet Number	Status	Rev
BCIDD-ROT-TSM_SJ-0304_XX_00-DR-CR-0026	26 of 38	A	M01





SCALE 1:250 @ A1; 1:500 @ A3



LEGEND:

- TRAFFIC SIGNAL HEADS:**
- RTS 001 PRIMARY
  - RTS 001 SECONDARY
  - RTS 002 PRIMARY
  - RTS 002 SECONDARY
  - RTS 003 (RUS 012) PRIMARY
  - RTS 003 (RUS 012) SECONDARY
  - RTS 007 (LOW LEVEL) PRIMARY
  - RPC 004 PEDESTRIAN HEAD
- TRAFFIC SIGNAL EQUIPMENT:**
- POLE (STANDARD HEIGHT)
  - TALL POLE (CCTV/TRAFFIC SIGNALS)
  - POLE NUMBER
  - PUSH BUTTON UNIT
  - PAN / TILT / ZOOM CCTV CAMERA
- GENERAL:**
- SITE BOUNDARY LINE
  - TEMPORARY LAND ACQUISITION

**Disclaimer**

a. © National Transport Authority (NTA) 2022. This drawing is confidential and the copyright in it is owned by NTA. This drawing must not be either loaned, copied or otherwise reproduced in whole or in part or used for any purpose without the prior permission of NTA.

b. This drawing is to be used for the design element identified in the titlebox. Other information shown is to be considered indicative only. The drawing is to be read in conjunction with all other relevant design drawings.

c. O.S. data used for plans are printed under © Ordnance Survey Ireland Government of Ireland. All rights reserved. Licence Number 2022/OSI\_NMA\_180 National Transport Authority. All elevations are in metres and relate to OSI Geoid Model (OSGM15) Mean Head. All Co-ordinates are in Irish Transverse Mercator Grid (ITM) as defined by OSI active local GPS station.

d. Information concerning the position of apparatus shown on this drawing is based on drawings supplied by the utility owners and/or the utility works contractor, whilst every care has been taken in the preparation of this drawing, positions should be taken as approximate and are intended for general guidance only and no representation is made by the NTA as to the accuracy, completeness, sufficiency or otherwise of this drawing and the position of the apparatus. The information contained herein does not purport to be comprehensive or final as the apparatus is subject to being altered and/or superseded. Recipients should not rely on this information. Any liabilities are hereby expressly disclaimed.

e. The information contained herein has been provided by the NTA but does not purport to be comprehensive or final. Recipients should not rely on the information. Neither the NTA nor any of its directors, officers, employees, agents, stakeholders or advisers make any representation or warranty as to, or accept any liability or responsibility in relation to, the adequacy, accuracy, reasonableness or completeness of the information provided as part of this document or any matter on which the information is based (including but not limited to loss or damage arising as a result of reliance by recipients on the information or any part of it). Any liabilities are hereby expressly disclaimed.



Rev	Date	Dwn	Chk'd	App'd	Description
M01	13/05/2022	DS	EE	SMG	ISSUE FOR PHASE 4 : PLANNING

Client: **NTA**  
Údarás Náisiúnta Iompair  
National Transport Authority

Engineering Designer: **FIROD**  
TYPSA

Date: 13/05/2022 | Scale: 1:250 @ A1, 1:500 @ A3 | Drawn: DS | Checked: EE | Approved: SMG

Programme Code: BCIDD | Originator Code: ROT | QMS Code:

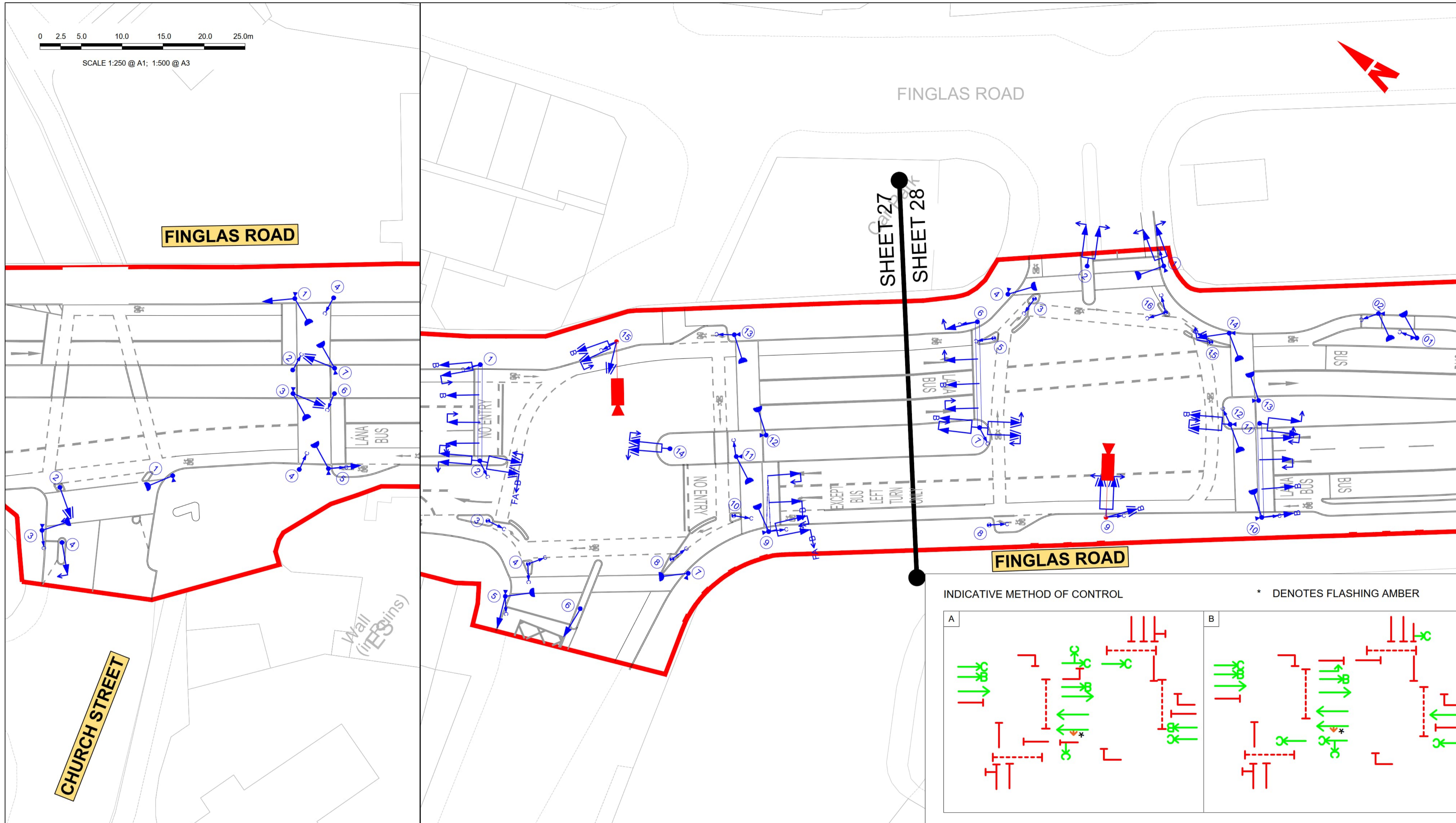
Programme Title: <b>BUSCONNECTS DUBLIN CORE BUS CORRIDORS INFRASTRUCTURE WORKS</b>			
Drawing Title: <b>BALLYMUN / FINGLAS TO CITY CENTRE CORE BUS CORRIDOR SCHEME JUNCTION SYSTEM DESIGN PEDESTRIAN &amp; TOUCAN CROSSING</b>			
Drawing File Name: BCIDD-ROT-TSM_SJ-0304_XX_00-DR-CR-0027	Sheet Number: 27 of 38	Status: A	Rev: M01

DO NOT SCALE USE FIGURED DIMENSIONS ONLY

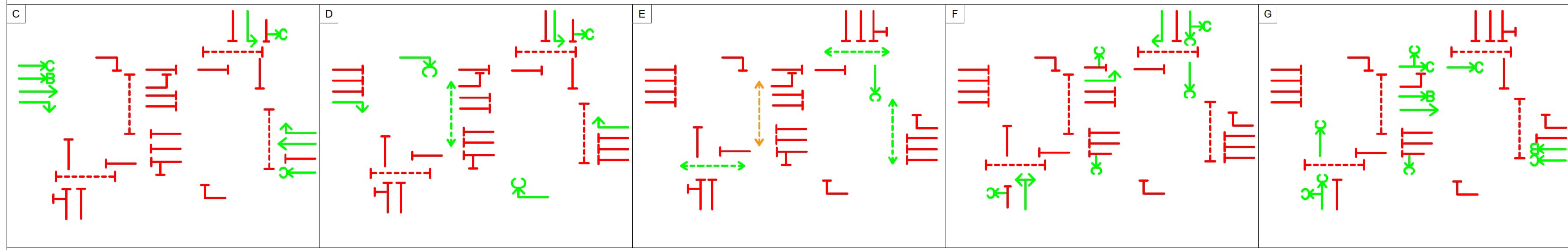
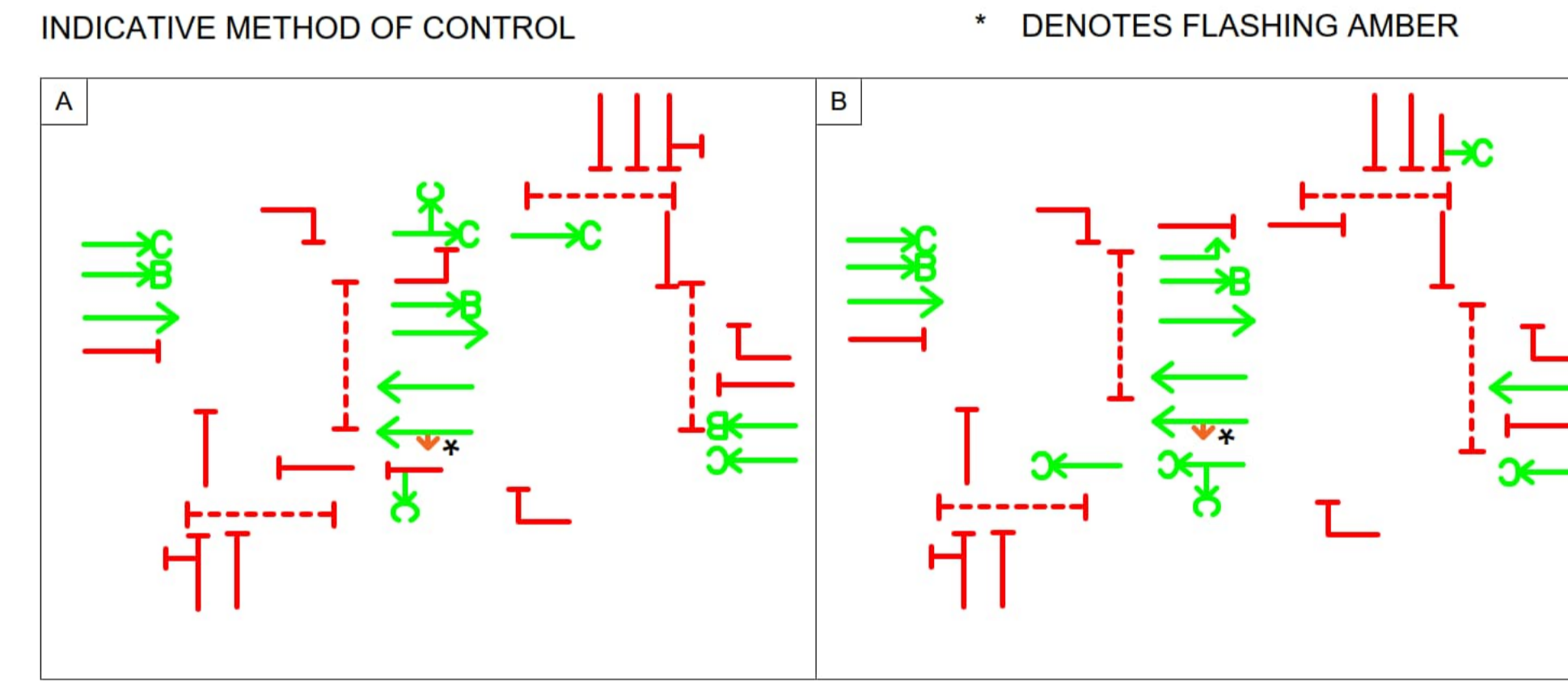




SCALE 1:250 @ A1; 1:500 @ A3



- LEGEND:**
- TRAFFIC SIGNAL HEADS:**
- RTS 001 PRIMARY
  - RTS 001 SECONDARY
  - RTS 002 PRIMARY
  - RTS 002 SECONDARY
  - RTS 003 (RUS 012) PRIMARY
  - RTS 003 (RUS 012) SECONDARY
  - RTS 007 (LOW LEVEL) PRIMARY
  - RPC 004 PEDESTRIAN HEAD
- TRAFFIC SIGNAL EQUIPMENT:**
- POLE (STANDARD HEIGHT)
  - TALL POLE (CCTV/TRAFFIC SIGNALS)
  - POLE NUMBER
  - PUSH BUTTON UNIT
  - PAN / TILT / ZOOM CCTV CAMERA
- GENERAL:**
- SITE BOUNDARY LINE
  - TEMPORARY LAND ACQUISITION



**Disclaimer**

a. © National Transport Authority (NTA) 2022. This drawing is confidential and the copyright in it is owned by NTA. This drawing must not be either loaned, copied or otherwise reproduced in whole or in part or used for any purpose without the prior permission of NTA.

b. This drawing is to be used for the design element identified in the titlebox. Other information shown is to be considered indicative only. The drawing is to be read in conjunction with all other relevant design drawings.

c. O.S. data used for plans are printed under © Ordnance Survey Ireland Government of Ireland. All rights reserved. Licence Number 2022/OSI\_NMA\_180 National Transport Authority. All elevations are in metres and relate to OSI Geoid Model (OSGM15) Mean Head. All Co-ordinates are in Irish

Transverse Mercator Grid (ITM) as defined by OSI active local GPS station.

d. Information concerning the position of apparatus shown on this drawing is based on drawings supplied by the utility owners and/or the utility works contractor, whilst every care has been taken in the preparation of this drawing, positions should be taken as approximate and are intended for general guidance only and no representation is made by the NTA as to the accuracy, completeness, sufficiency or otherwise of this drawing and the position of the apparatus. The information contained herein does not purport to be comprehensive or final as the apparatus is subject to being altered and/or superceded. Recipients should not rely on this information. Any liabilities are hereby expressly disclaimed.

e. The information contained herein has been provided by the NTA but does not purport to be comprehensive or final. Recipients should not rely on the information. Neither the NTA nor any of its directors, officers, employees, agents, stakeholders or advisers make any representation or warranty as to, or accept any liability or responsibility in relation to, the adequacy, accuracy, reasonableness or completeness of the information provided as part of this document or any matter on which the information is based (including but not limited to loss or damage arising as a result of reliance by recipients on the information or any part of it). Any liabilities are hereby expressly disclaimed.



Rev	Date	Drn	Chk'd	App'd	Description
M01	13/05/2022	DS	EE	SMG	ISSUE FOR PHASE 4 : PLANNING

Client: **NTA**  
Údarás Náisiúnta Iompair  
National Transport Authority

Engineering Designer: **FIROD**  
TYPSA

Date: 13/05/2022 Scale: 1:250 @ A1, 1:500 @ A3

Drawn: DS Checked: EE Approved: SMG

Programme Code: BCIDD Originator Code: ROT QMS Code:

Programme Title: **BUSCONNECTS DUBLIN CORE BUS CORRIDORS INFRASTRUCTURE WORKS**

Drawing Title: **BALLYMUN / FINGLAS TO CITY CENTRE CORE BUS CORRIDOR SCHEME JUNCTION SYSTEM DESIGN TOUCAN CROSSING & WELLMOUNT ROAD / FINGLAS ROAD**

Drawing File Name: BCIDD-ROT-TSM\_SJ-0304\_XX\_00-DR-CR-0028

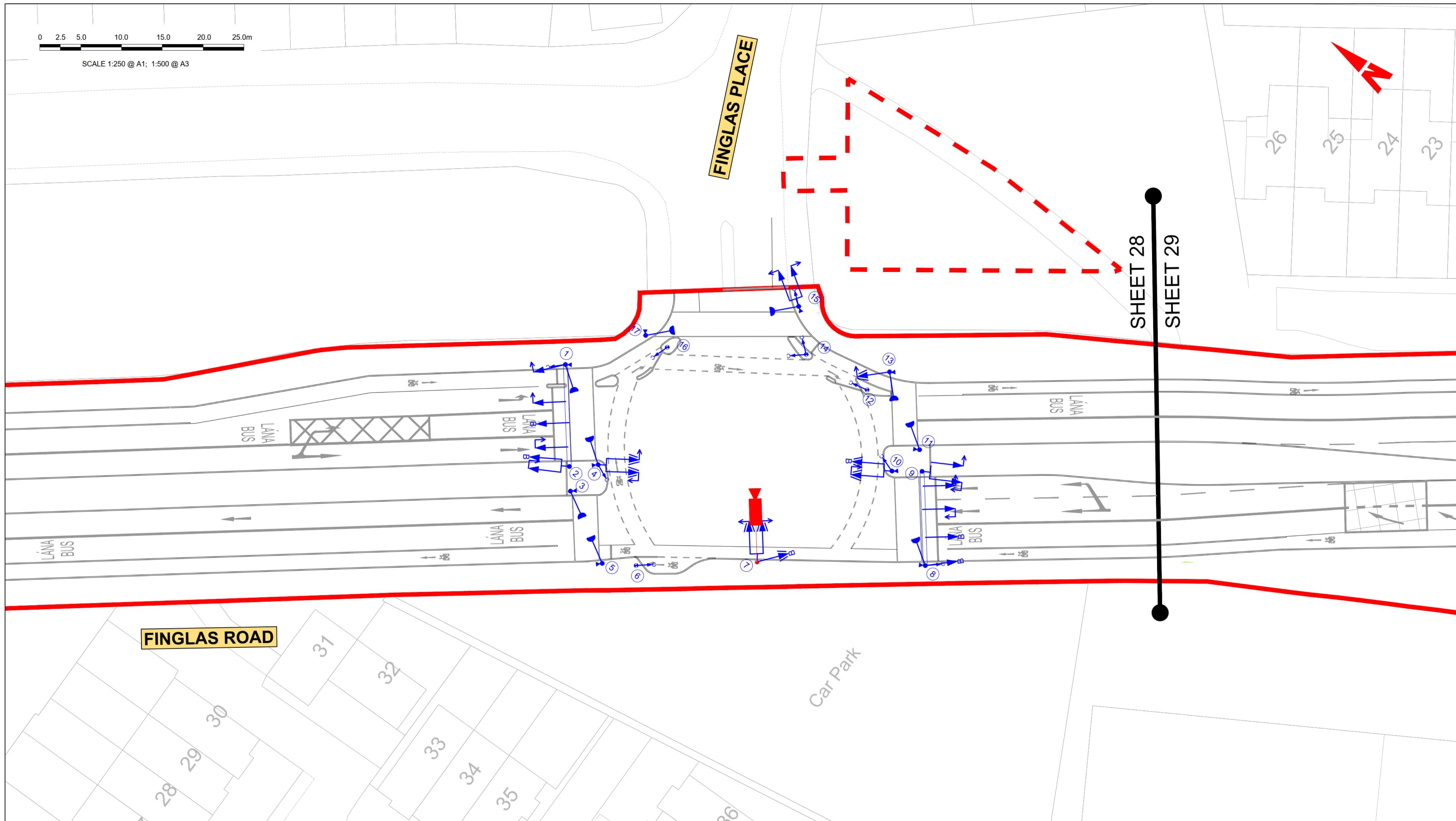
Sheet Number: 28 of 38 Status: A Rev: M01

DO NOT SCALE USE FIGURED DIMENSIONS ONLY





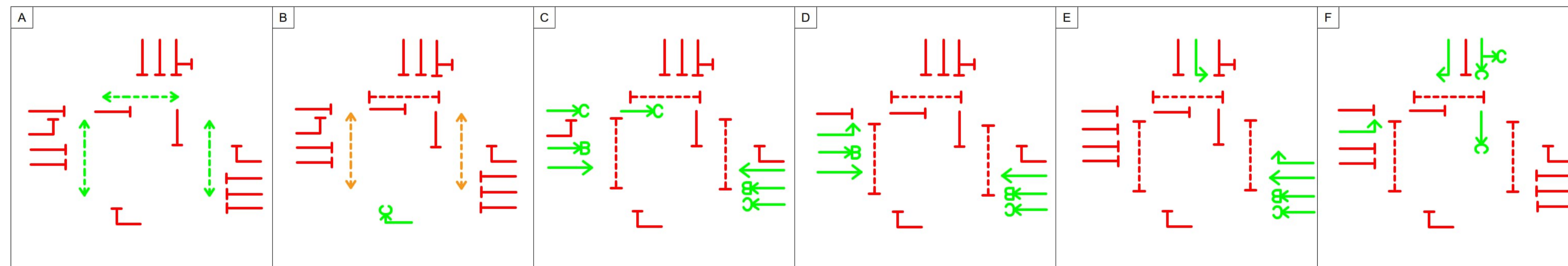
SCALE 1:250 @ A1; 1:500 @ A3



LEGEND:

- TRAFFIC SIGNAL HEADS:**
- RTS 001 PRIMARY
  - RTS 001 SECONDARY
  - RTS 002 PRIMARY
  - RTS 002 SECONDARY
  - RTS 003 (RUS 012) PRIMARY
  - RTS 003 (RUS 012) SECONDARY
  - RTS 007 (LOW LEVEL) PRIMARY
  - RPC 004 PEDESTRIAN HEAD
- TRAFFIC SIGNAL EQUIPMENT:**
- POLE (STANDARD HEIGHT)
  - TALL POLE (CCTV/TRAFFIC SIGNALS)
  - POLE NUMBER
  - PUSH BUTTON UNIT
  - PAN / TILT / ZOOM CCTV CAMERA
- GENERAL:**
- SITE BOUNDARY LINE
  - TEMPORARY LAND ACQUISITION

INDICATIVE METHOD OF CONTROL



**Disclaimer**

a. © National Transport Authority (NTA) 2022. This drawing is confidential and the copyright in it is owned by NTA. This drawing must not be either loaned, copied or otherwise reproduced in whole or in part or used for any purpose without the prior permission of NTA.

b. This drawing is to be used for the design element identified in the titlebox. Other information shown is to be considered indicative only. The drawing is to be read in conjunction with all other relevant design drawings.

c. O.S. data used for plans are printed under © Ordnance Survey Ireland Government of Ireland. All rights reserved. Licence Number 2022/OSI\_NMA\_180 National Transport Authority. All elevations are in metres and relate to OSI Geoid Model (OSGM15) Mean Head. All Co-ordinates are in Irish Transverse Mercator Grid (ITM) as defined by OSI active local GPS station.

d. Information concerning the position of apparatus shown on this drawing is based on drawings supplied by the utility owners and/or the utility works contractor, whilst every care has been taken in the preparation of this drawing, positions should be taken as approximate and are intended for general guidance only and no representation is made by the NTA as to the accuracy, completeness, sufficiency or otherwise of this drawing and the position of the apparatus. The information contained herein does not purport to be comprehensive or final as the apparatus is subject to being altered and/or superseded. Recipients should not rely on this information. Any liabilities are hereby expressly disclaimed.

e. The information contained herein has been provided by the NTA but does not purport to be comprehensive or final. Recipients should not rely on the information. Neither the NTA nor any of its directors, officers, employees, agents, stakeholders or advisers make any representation or warranty as to, or accept any liability or responsibility in relation to, the adequacy, accuracy, reasonableness or completeness of the information provided as part of this document or any matter on which the information is based (including but not limited to loss or damage arising as a result of reliance by recipients on the information or any part of it). Any liabilities are hereby expressly disclaimed.

Building Ireland's Future

Rev	Date	Dwn	Chk'd	App'd	Description
M01	13/05/2022	DS	EE	SMG	ISSUE FOR PHASE 4 : PLANNING

Client

Údarás Náisiúnta Iompair  
National Transport Authority

Engineering Designer

Drawn DS  
Checked EE  
Approved SMG

Programme Title

**BUSCONNECTS DUBLIN  
CORE BUS CORRIDORS INFRASTRUCTURE WORKS**

Drawing Title

BALLYMUN / FINGLAS TO CITY CENTRE CORE BUS CORRIDOR SCHEME  
JUNCTION SYSTEM DESIGN  
FINGLAS PLACE / FINGLAS ROAD

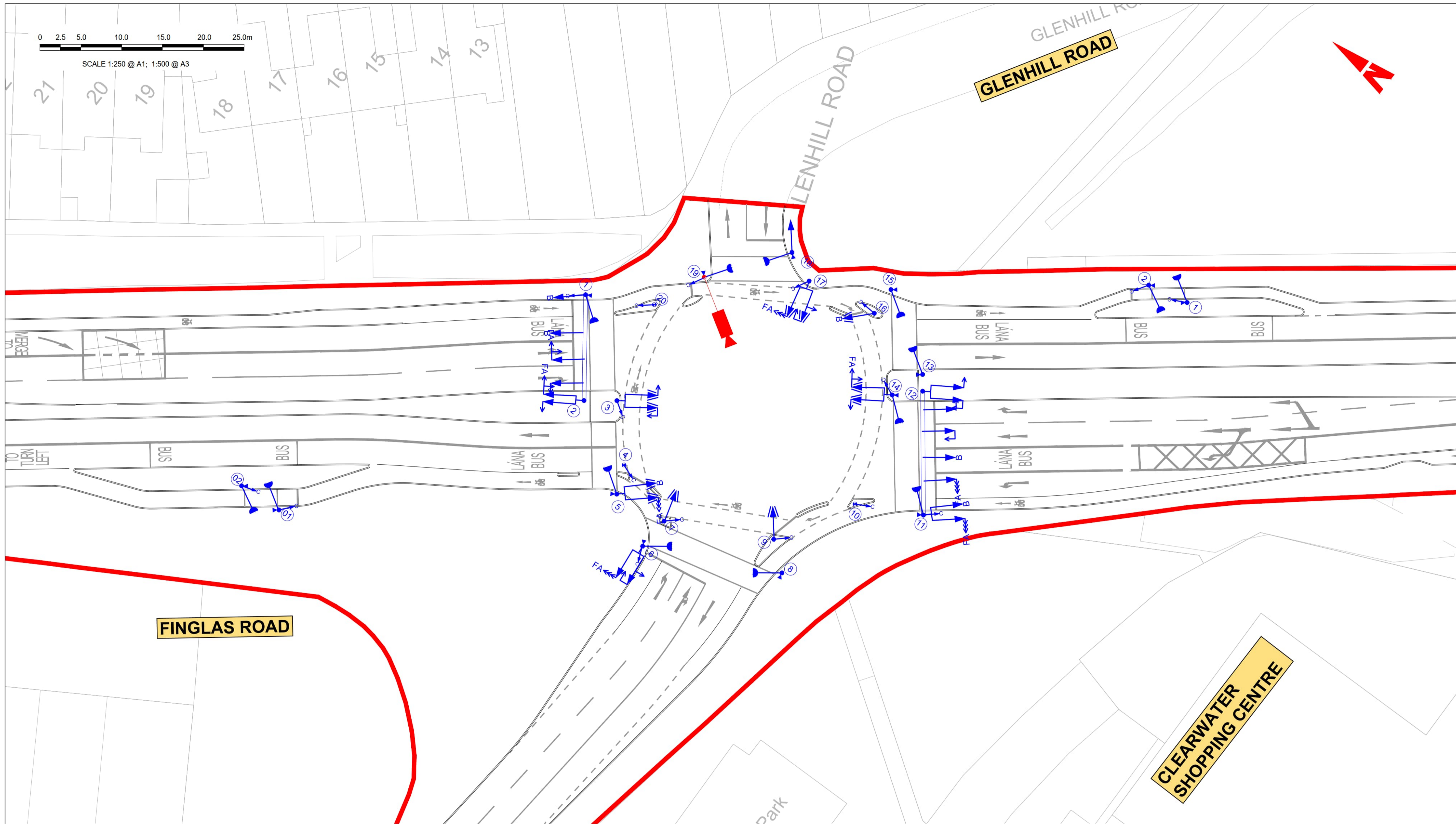
Drawing File Name: BCIDD-ROT-TSM\_SJ-0304\_XX\_00-DR-CR-0029

Sheet Number: 29 of 38

Status: A

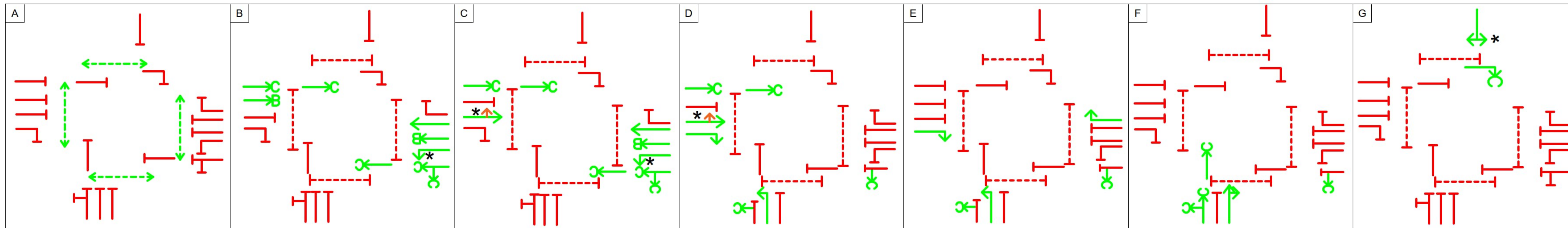
Rev: M01





- LEGEND:**
- TRAFFIC SIGNAL HEADS:**
- RTS 001 PRIMARY
  - RTS 001 SECONDARY
  - RTS 002 PRIMARY
  - RTS 002 SECONDARY
  - RTS 003 (RUS 012) PRIMARY
  - RTS 003 (RUS 012) SECONDARY
  - RTS 007 (LOW LEVEL) PRIMARY
  - RPC 004 PEDESTRIAN HEAD
- TRAFFIC SIGNAL EQUIPMENT:**
- POLE (STANDARD HEIGHT)
  - TALL POLE (CCTV/TRAFFIC SIGNALS)
  - POLE NUMBER
  - PUSH BUTTON UNIT
  - PAN / TILT / ZOOM CCTV CAMERA
- GENERAL:**
- SITE BOUNDARY LINE
  - TEMPORARY LAND ACQUISITION

**INDICATIVE METHOD OF CONTROL**



\* DENOTES FLASHING AMBER

**Disclaimer**

a. © National Transport Authority (NTA) 2022. This drawing is confidential and the copyright in it is owned by NTA. This drawing must not be either loaned, copied or otherwise reproduced in whole or in part or used for any purpose without the prior permission of NTA.

b. This drawing is to be used for the design element identified in the titlebox. Other information shown is to be considered indicative only. The drawing is to be read in conjunction with all other relevant design drawings.

c. O.S. data used for plans are printed under © Ordnance Survey Ireland Government of Ireland. All rights reserved. Licence Number 2022/OSI\_NMA\_180 National Transport Authority. All elevations are in metres and relate to OSI Geoid Model (OSGM15) Mean Head. All Co-ordinates are in Irish Transverse Mercator Grid (ITM) as defined by OSI active local GPS station.

d. Information concerning the position of apparatus shown on this drawing is based on drawings supplied by the utility owners and/or the utility works contractor, whilst every care has been taken in the preparation of this drawing, positions should be taken as approximate and are intended for general guidance only and no representation is made by the NTA as to the accuracy, completeness, sufficiency or otherwise of this drawing and the position of the apparatus. The information contained herein does not purport to be comprehensive or final as the apparatus is subject to being altered and/or superceded. Recipients should not rely on this information. Any liabilities are hereby expressly disclaimed.

e. The information contained herein has been provided by the NTA but does not purport to be comprehensive or final. Recipients should not rely on the information. Neither the NTA nor any of its directors, officers, employees, agents, stakeholders or advisers make any representation or warranty as to, or accept any liability or responsibility in relation to, the adequacy, accuracy, reasonableness or completeness of the information provided as part of this document or any matter on which the information is based (including but not limited to loss or damage arising as a result of reliance by recipients on the information or any part of it). Any liabilities are hereby expressly disclaimed.

Rev	Date	Drn	Chk'd	App'd	Description
M01	13/05/2022	DS	EE	SMG	ISSUE FOR PHASE 4 : PLANNING

Client: **NTA**  
Údarás Náisiúnta Iompair  
National Transport Authority

Engineering Designer: **FIROD**  
TYPSA

Date: 13/05/2022 | Scale: 1:250 @ A1, 1:500 @ A3

Drawn: DS | Checked: EE | Approved: SMG

Programme Code: BCIDD | Originator Code: ROT | QMS Code:

Programme Title: **BUSCONNECTS DUBLIN**  
**CORE BUS CORRIDORS INFRASTRUCTURE WORKS**

Drawing Title: BALLYMUN / FINGLAS TO CITY CENTRE CORE BUS CORRIDOR SCHEME  
JUNCTION SYSTEM DESIGN  
GLENHILL ROAD / FINGLAS ROAD

Drawing File Name: BCIDD-ROT-TSM\_SJ-0304\_XX\_00-DR-CR-0030 | Sheet Number: 30 of 38 | Status: A | Rev: M01

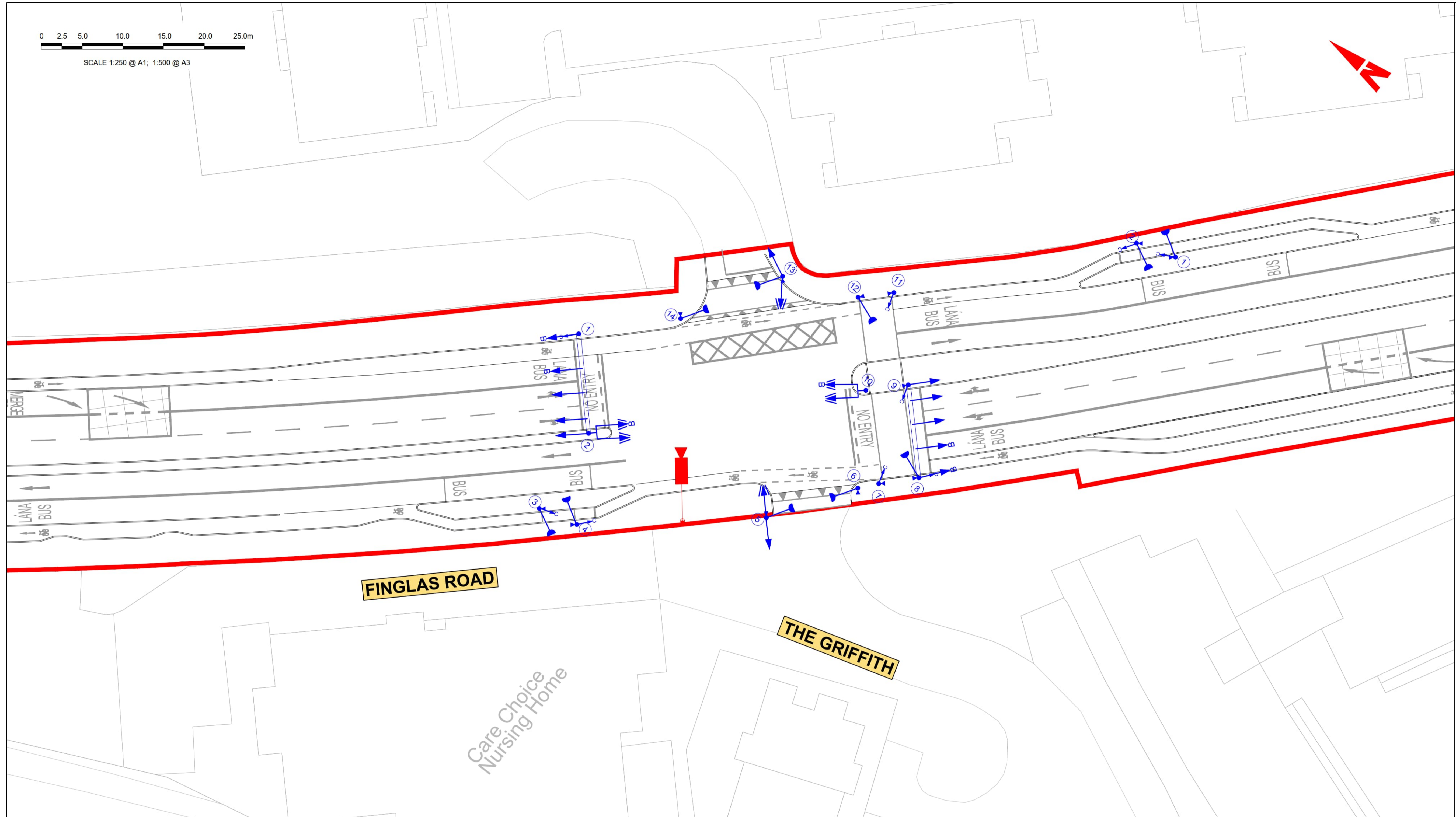




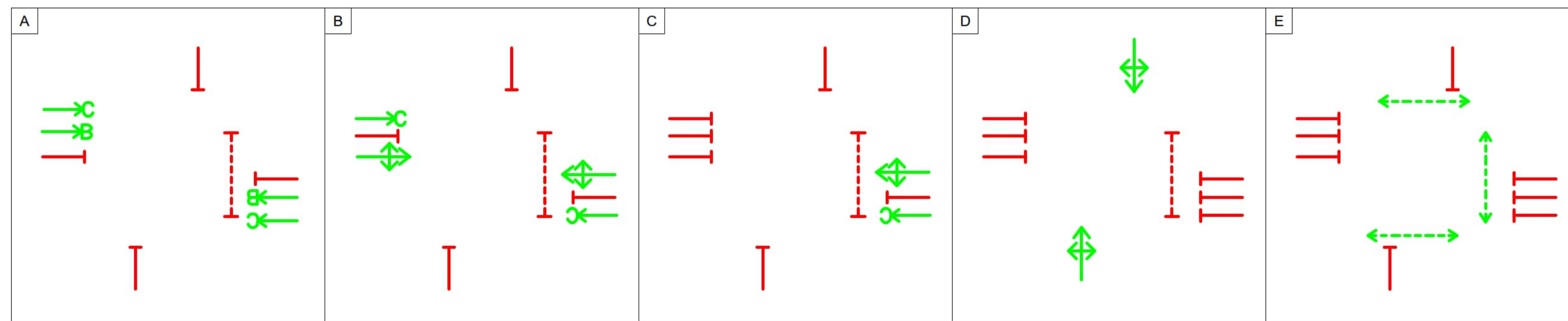
SCALE 1:250 @ A1; 1:500 @ A3

LEGEND:

- TRAFFIC SIGNAL HEADS:**
- RTS 001 PRIMARY
  - RTS 001 SECONDARY
  - RTS 002 PRIMARY
  - RTS 002 SECONDARY
  - RTS 003 (RUS 012) PRIMARY
  - RTS 003 (RUS 012) SECONDARY
  - RTS 007 (LOW LEVEL) PRIMARY
  - RPC 004 PEDESTRIAN HEAD
- TRAFFIC SIGNAL EQUIPMENT:**
- POLE (STANDARD HEIGHT)
  - TALL POLE (CCTV/TRAFFIC SIGNALS)
  - POLE NUMBER
  - PUSH BUTTON UNIT
  - PAN / TILT / ZOOM CCTV CAMERA
- GENERAL:**
- SITE BOUNDARY LINE
  - TEMPORARY LAND ACQUISITION



INDICATIVE METHOD OF CONTROL



**Disclaimer**

a. © National Transport Authority (NTA) 2022. This drawing is confidential and the copyright in it is owned by NTA. This drawing must not be either loaned, copied or otherwise reproduced in whole or in part or used for any purpose without the prior permission of NTA.

b. This drawing is to be used for the design element identified in the titlebox. Other information shown is to be considered indicative only. The drawing is to be read in conjunction with all other relevant design drawings.

c. O.S. data used for plans are printed under © Ordnance Survey Ireland Government of Ireland. All rights reserved. Licence Number 2022/OSI\_NMA\_180 National Transport Authority. All elevations are in metres and relate to OSI Geoid Model (OSGM15) Mean Head. All Co-ordinates are in Irish Transverse Mercator Grid (ITM) as defined by OSI active local GPS station.

d. Information concerning the position of apparatus shown on this drawing is based on drawings supplied by the utility owners and/or the utility works contractor, whilst every care has been taken in the preparation of this drawing, positions should be taken as approximate and are intended for general guidance only and no representation is made by the NTA as to the accuracy, completeness, sufficiency or otherwise of this drawing and the position of the apparatus. The information contained herein does not purport to be comprehensive or final as the apparatus is subject to being altered and/or superceded. Recipients should not rely on this information. Any liabilities are hereby expressly disclaimed.

e. The information contained herein has been provided by the NTA but does not purport to be comprehensive or final. Recipients should not rely on the information. Neither the NTA nor any of its directors, officers, employees, agents, stakeholders or advisers make any representation or warranty as to, or accept any liability or responsibility in relation to, the adequacy, accuracy, reasonableness or completeness of the information provided as part of this document or any matter on which the information is based (including but not limited to loss or damage arising as a result of reliance by recipients on the information or any part of it). Any liabilities are hereby expressly disclaimed.

Project Ireland 2040  
Building Ireland's Future

Rev	Date	Drm	Chk'd	App'd	Description
M01	13/05/2022	DS	EE	SMG	ISSUE FOR PHASE 4 : PLANNING

Client: **NTA**  
Údarás Náisiúnta Iompair  
National Transport Authority

Engineering Designer: **FIROD**  
TYPSA

Date: 13/05/2022  
Scale: 1:250 @ A1, 1:500 @ A3

Drawn: DS  
Checked: EE  
Approved: SMG

Programme Code: BCIDD  
Originator Code: ROT  
QMS Code:

Programme Title: **BUSCONNECTS DUBLIN  
CORE BUS CORRIDORS INFRASTRUCTURE WORKS**

Drawing Title: **BALLYMUN / FINGLAS TO CITY CENTRE CORE BUS CORRIDOR SCHEME  
JUNCTION SYSTEM DESIGN  
THE GRIFFITH / FINGLAS ROAD**

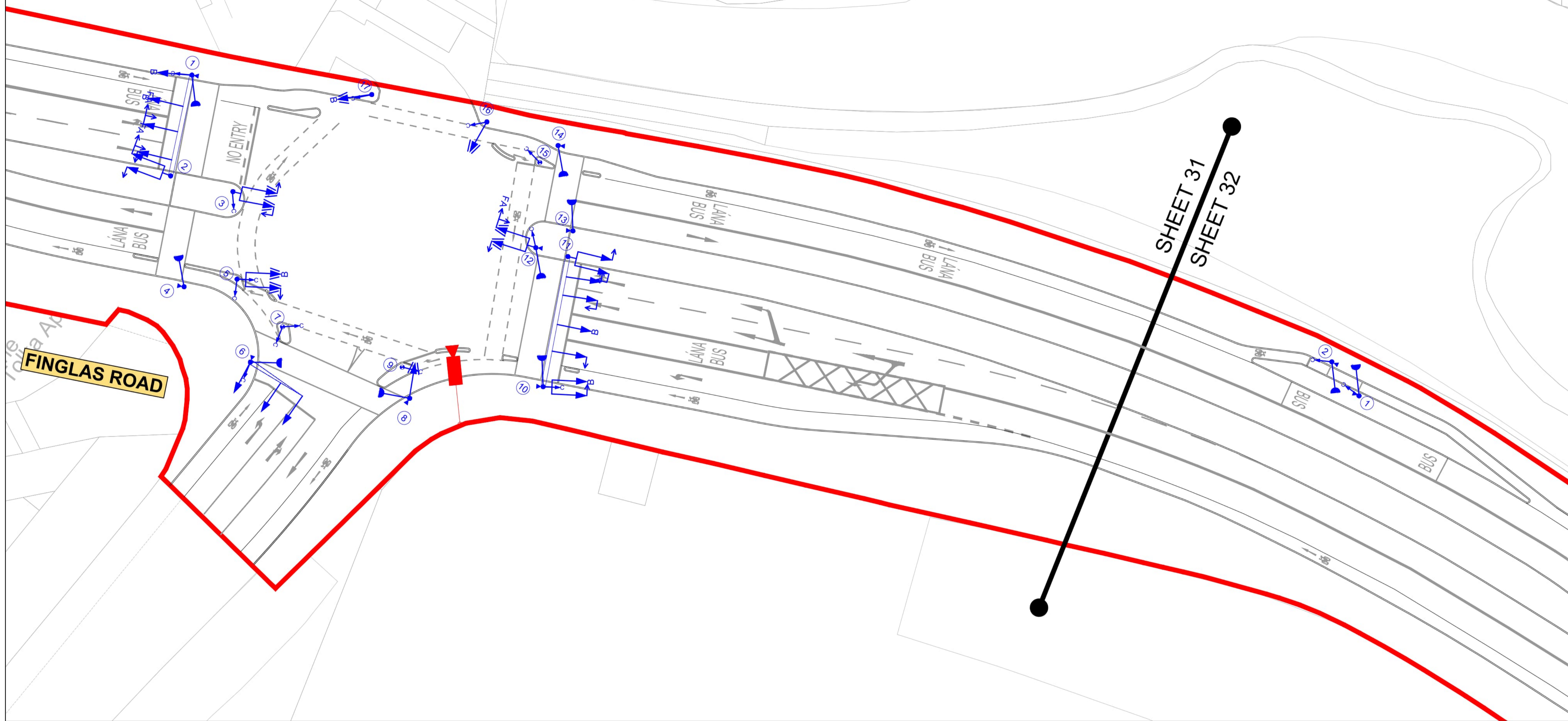
Drawing File Name: BCIDD-ROT-TSM\_SJ-0304\_XX\_00-DR-CR-0031  
Sheet Number: 31 of 38  
Status: A  
Rev: M01



0 2.5 5.0 10.0 15.0 20.0 25.0m

SCALE 1:250 @ A1; 1:500 @ A3

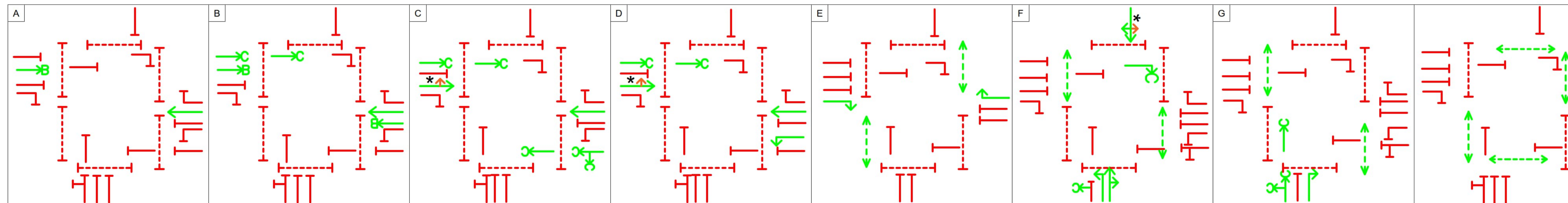
**CRAIGIE COURT**



**LEGEND:**

- TRAFFIC SIGNAL HEADS:**
- RTS 001 PRIMARY
  - RTS 001 SECONDARY
  - RTS 002 PRIMARY
  - RTS 002 SECONDARY
  - RTS 003 (RUS 012) PRIMARY
  - RTS 003 (RUS 012) SECONDARY
  - RTS 007 (LOW LEVEL) PRIMARY
  - RPC 004 PEDESTRIAN HEAD
- TRAFFIC SIGNAL EQUIPMENT:**
- POLE (STANDARD HEIGHT)
  - TALL POLE (CCTV/TRAFFIC SIGNALS)
  - POLE NUMBER
  - PUSH BUTTON UNIT
  - PAN / TILT / ZOOM CCTV CAMERA
- GENERAL:**
- SITE BOUNDARY LINE
  - TEMPORARY LAND ACQUISITION

**INDICATIVE METHOD OF CONTROL**



\* DENOTES FLASHING AMBER

**Disclaimer**

a. © National Transport Authority (NTA) 2022. This drawing is confidential and the copyright in it is owned by NTA. This drawing must not be either loaned, copied or otherwise reproduced in whole or in part or used for any purpose without the prior permission of NTA.

b. This drawing is to be used for the design element identified in the title block. Other information shown is to be considered indicative only. The drawing is to be read in conjunction with all other relevant design drawings.

c. O.S. data used for plans are printed under © Ordnance Survey Ireland Government of Ireland. All rights reserved. Licence Number 2022/OSI\_NMA\_180 National Transport Authority. All elevations are in metres and relate to OSI Geoid Model (OSGM15) Mean Head. All Co-ordinates are in Irish Transverse Mercator Grid (ITM) as defined by OSI active local GPS station.

d. Information concerning the position of apparatus shown on this drawing is based on drawings supplied by the utility owners and/or the utility works contractor, whilst every care has been taken in the preparation of this drawing, positions should be taken as approximate and are intended for general guidance only and no representation is made by the NTA as to the accuracy, completeness, sufficiency or otherwise of this drawing and the position of the apparatus. The information contained herein does not purport to be comprehensive or final as the apparatus is subject to being altered and/or superceded. Recipients should not rely on this information. Any liabilities are hereby expressly disclaimed.

e. The information contained herein has been provided by the NTA but does not purport to be comprehensive or final. Recipients should not rely on the information. Neither the NTA nor any of its directors, officers, employees, agents, stakeholders or advisers make any representation or warranty as to, or accept any liability or responsibility in relation to, the adequacy, accuracy, reasonableness or completeness of the information provided as part of this document or any matter on which the information is based (including but not limited to loss or damage arising as a result of reliance by recipients on the information or any part of it). Any liabilities are hereby expressly disclaimed.

Rev	Date	Drn	Chk'd	App'd	Description
M01	13/05/2022	DS	EE	SMG	ISSUE FOR PHASE 4 : PLANNING

Client

Engineering Designer

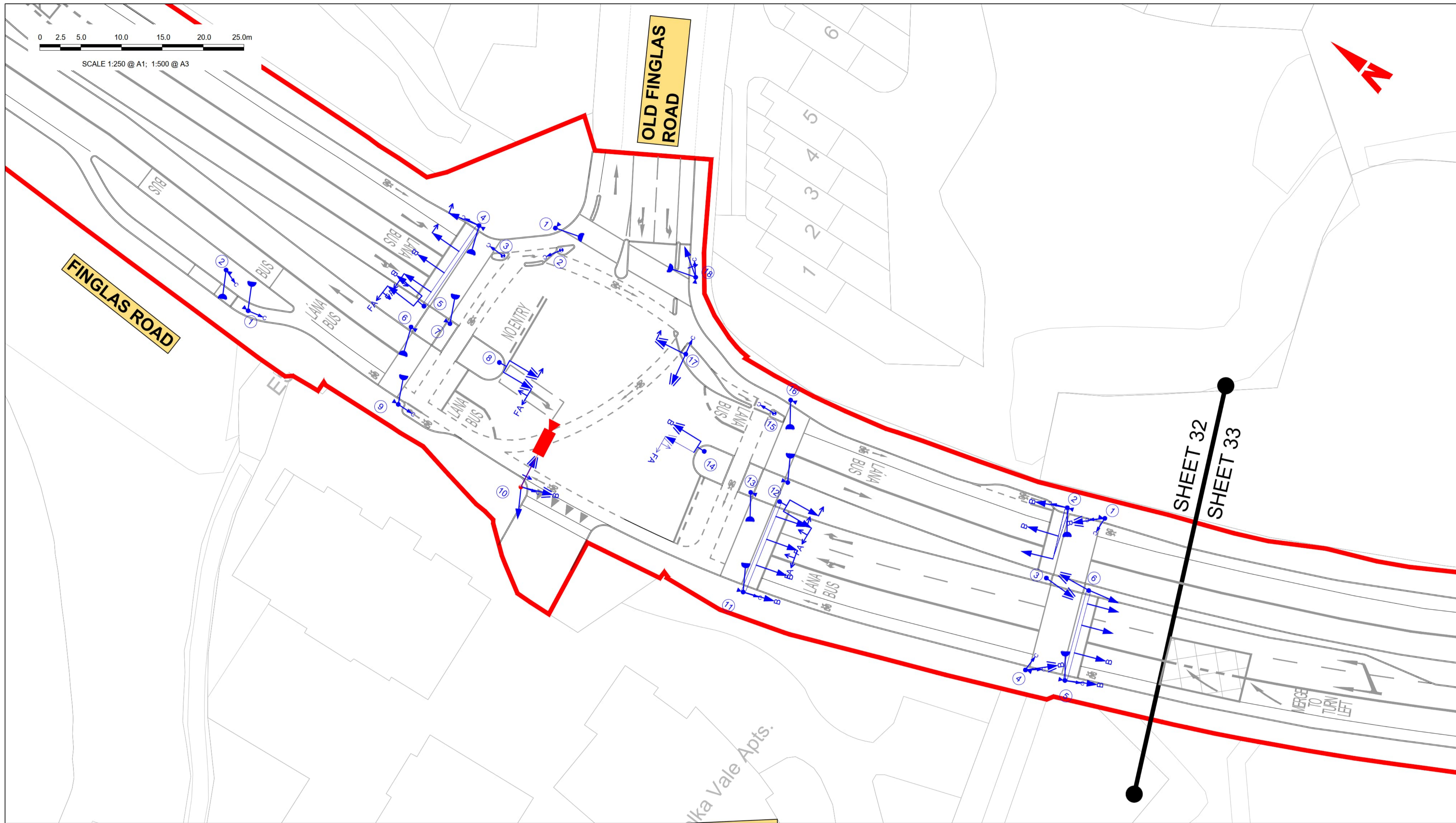
Programme Title		<b>BUSCONNECTS DUBLIN</b>		
		<b>CORE BUS CORRIDORS INFRASTRUCTURE WORKS</b>		
Drawing Title				
BALLYMUN / FINGLAS TO CITY CENTRE CORE BUS CORRIDOR SCHEME				
JUNCTION SYSTEM DESIGN				
TOLKA VALLEY ROAD / FINGLAS ROAD				
Drawing File Name	Sheet Number	Status	Rev	
BCIDD-ROT-TSM_SJ-0304_XX_00-DR-CR-0032	32 of 38	A	M01	

DO NOT SCALE USE FIGURED DIMENSIONS ONLY



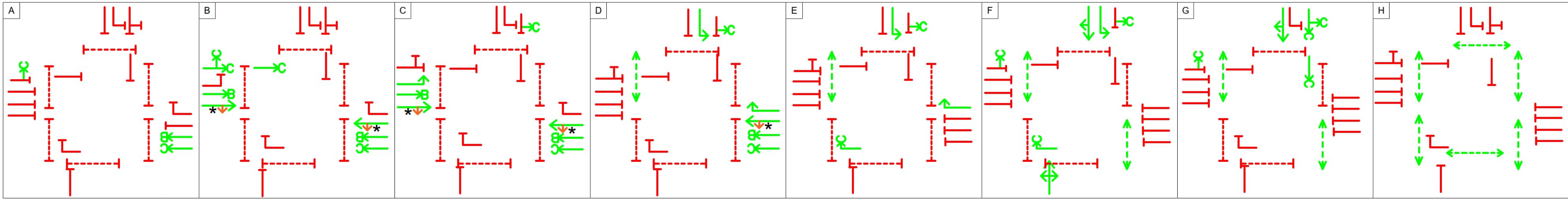
0 2.5 5.0 10.0 15.0 20.0 25.0m

SCALE 1:250 @ A1; 1:500 @ A3



LEGEND:

- TRAFFIC SIGNAL HEADS:**
- RTS 001 PRIMARY
  - RTS 001 SECONDARY
  - RTS 002 PRIMARY
  - RTS 002 SECONDARY
  - RTS 003 (RUS 012) PRIMARY
  - RTS 003 (RUS 012) SECONDARY
  - RTS 007 (LOW LEVEL) PRIMARY
  - RPC 004 PEDESTRIAN HEAD
- TRAFFIC SIGNAL EQUIPMENT:**
- POLE (STANDARD HEIGHT)
  - TALL POLE (CCTV/TRAFFIC SIGNALS)
  - POLE NUMBER
  - PUSH BUTTON UNIT
  - PAN / TILT / ZOOM CCTV CAMERA
- GENERAL:**
- SITE BOUNDARY LINE
  - TEMPORARY LAND ACQUISITION



\* DENOTES FLASHING AMBER

**Disclaimer**

a. © National Transport Authority (NTA) 2022. This drawing is confidential and the copyright in it is owned by NTA. This drawing must not be either loaned, copied or otherwise reproduced in whole or in part or used for any purpose without the prior permission of NTA.

b. This drawing is to be used for the design element identified in the titlebox. Other information shown is to be considered indicative only. The drawing is to be read in conjunction with all other relevant design drawings.

c. O.S. data used for plans are printed under © Ordnance Survey Ireland Government of Ireland. All rights reserved. Licence Number 2022/OSI\_hMA\_180 National Transport Authority. All elevations are in metres and relate to OSI Geoid Model (OSGM15) Mean Head. All Co-ordinates are in Irish Transverse Mercator Grid (ITM) as defined by OSI active local GPS station.

d. Information concerning the position of apparatus shown on this drawing is based on drawings supplied by the utility owners and/or the utility works contractor, whilst every care has been taken in the preparation of this drawing, positions should be taken as approximate and are intended for general guidance only and no representation is made by the NTA as to the accuracy, completeness, sufficiency or otherwise of this drawing and the position of the apparatus. The information contained herein does not purport to be comprehensive or final as the apparatus is subject to being altered and/or superceded. Recipients should not rely on this information. Any liabilities are hereby expressly disclaimed.

e. The information contained herein has been provided by the NTA but does not purport to be comprehensive or final. Recipients should not rely on the information. Neither the NTA nor any of its directors, officers, employees, agents, stakeholders or advisers make any representation or warranty as to, or accept any liability or responsibility in relation to, the adequacy, accuracy, reasonableness or completeness of the information provided as part of this document or any matter on which the information is based (including but not limited to loss or damage arising as a result of reliance by recipients on the information or any part of it). Any liabilities are hereby expressly disclaimed.



Rev	Date	Drn	Chk'd	App'd	Description
M01	13/05/2022	DS	EE	SMG	ISSUE FOR PHASE 4 : PLANNING

Client: **NTA**  
Údarás Náisiúnta Iompair  
National Transport Authority

Engineering Designer: **FIROD**  
TYPSA

Date: 13/05/2022 | Scale: 1:250 @ A1, 1:500 @ A3 | Drawn: DS | Checked: EE | Approved: SMG

Programme Code: BCIDD | Originator Code: ROT | QMS Code:

Programme Title: **BUSCONNECTS DUBLIN**  
**CORE BUS CORRIDORS INFRASTRUCTURE WORKS**

Drawing Title: BALLYMUN / FINGLAS TO CITY CENTRE CORE BUS CORRIDOR SCHEME  
JUNCTION SYSTEM DESIGN  
OLD FINGLAS ROAD / FINGLAS ROAD

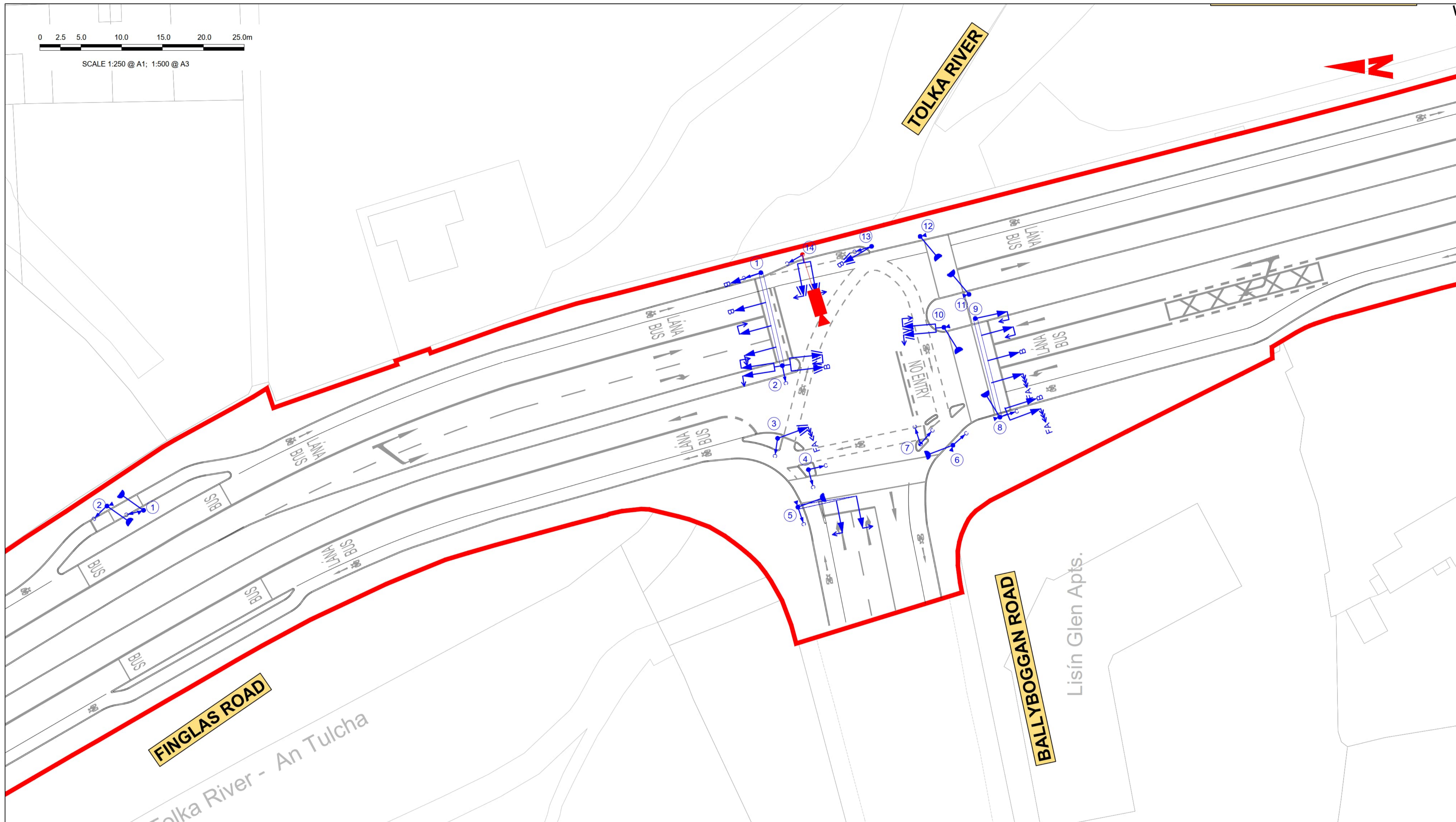
Drawing File Name: BCIDD-ROT-TSM\_SJ-0304\_XX\_00-DR-CR-0033 | Sheet Number: 33 of 38 | Status: A | Rev: M01

DO NOT SCALE USE FIGURED DIMENSIONS ONLY



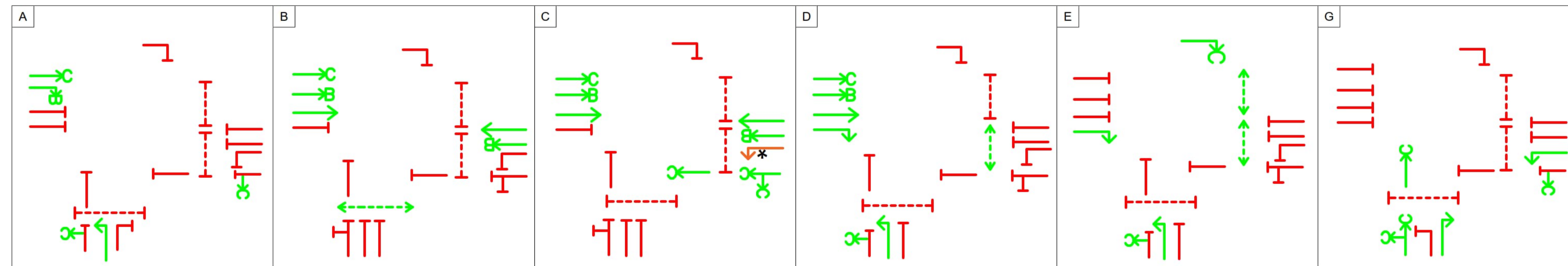
0 2.5 5.0 10.0 15.0 20.0 25.0m

SCALE 1:250 @ A1; 1:500 @ A3



- LEGEND:**
- TRAFFIC SIGNAL HEADS:**
- RTS 001 PRIMARY
  - RTS 001 SECONDARY
  - RTS 002 PRIMARY
  - RTS 002 SECONDARY
  - RTS 003 (RUS 012) PRIMARY
  - RTS 003 (RUS 012) SECONDARY
  - RTS 007 (LOW LEVEL) PRIMARY
  - RPC 004 PEDESTRIAN HEAD
- TRAFFIC SIGNAL EQUIPMENT:**
- POLE (STANDARD HEIGHT)
  - TALL POLE (CCTV/TRAFFIC SIGNALS)
  - POLE NUMBER
  - PUSH BUTTON UNIT
  - PAN / TILT / ZOOM CCTV CAMERA
- GENERAL:**
- SITE BOUNDARY LINE
  - TEMPORARY LAND ACQUISITION

**INDICATIVE METHOD OF CONTROL**



\* DENOTES FLASHING AMBER

**Disclaimer**

a. © National Transport Authority (NTA) 2022. This drawing is confidential and the copyright in it is owned by NTA. This drawing must not be either loaned, copied or otherwise reproduced in whole or in part or used for any purpose without the prior permission of NTA.

b. This drawing is to be used for the design element identified in the titlebox. Other information shown is to be considered indicative only. The drawing is to be read in conjunction with all other relevant design drawings.

c. O.S. data used for plans are printed under © Ordnance Survey Ireland Government of Ireland. All rights reserved. Licence Number 2022/OSI\_NMA\_180 National Transport Authority. All elevations are in metres and relate to OSI Geoid Model (OSGM15) Mean Head. All Co-ordinates are in Irish Transverse Mercator Grid (ITM) as defined by OSI active local GPS station.

d. Information concerning the position of apparatus shown on this drawing is based on drawings supplied by the utility owners and/or the utility works contractor, whilst every care has been taken in the preparation of this drawing, positions should be taken as approximate and are intended for general guidance only and no representation is made by the NTA as to the accuracy, completeness, sufficiency or otherwise of this drawing and the position of the apparatus. The information contained herein does not purport to be comprehensive or final as the apparatus is subject to being altered and/or superceded. Recipients should not rely on this information. Any liabilities are hereby expressly disclaimed.

e. The information contained herein has been provided by the NTA but does not purport to be comprehensive or final. Recipients should not rely on the information. Neither the NTA nor any of its directors, officers, employees, agents, stakeholders or advisers make any representation or warranty as to, or accept any liability or responsibility in relation to, the adequacy, accuracy, reasonableness or completeness of the information provided as part of this document or any matter on which the information is based (including but not limited to loss or damage arising as a result of reliance by recipients on the information or any part of it). Any liabilities are hereby expressly disclaimed.

Rev	Date	Drm	Chk'd	App'd	Description
M01	13/05/2022	DS	EE	SMG	ISSUE FOR PHASE 4 : PLANNING

Client

Engineering Designer

Date	Scale	Drawn	Checked	Approved
13/05/2022	1:250 @ A1 1:500 @ A3	DS	EE	SMG

Programme Title

**BUSCONNECTS DUBLIN**  
**CORE BUS CORRIDORS INFRASTRUCTURE WORKS**

Drawing Title

BALLYMUN / FINGLAS TO CITY CENTRE CORE BUS CORRIDOR SCHEME  
JUNCTION SYSTEM DESIGN  
BALLYBOGGAN ROAD / FINGLAS ROAD

Drawing File Name	Sheet Number	Status	Rev
BCIDD-ROT-TSM_SJ-0304_XX_00-DR-CR-0034	34 of 38	A	M01

DO NOT SCALE USE FIGURED DIMENSIONS ONLY



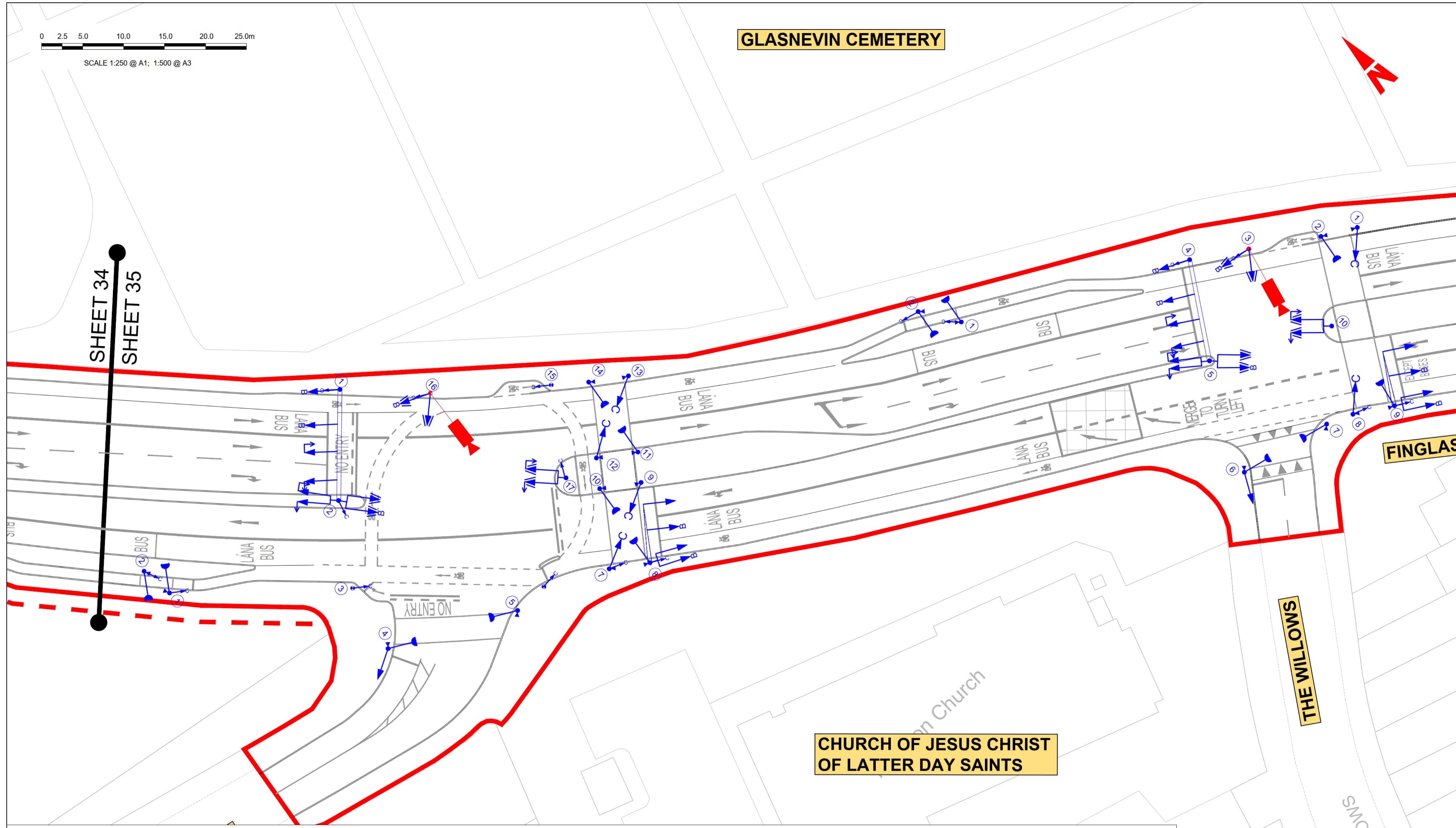


SCALE 1:250 @ A1; 1:500 @ A3

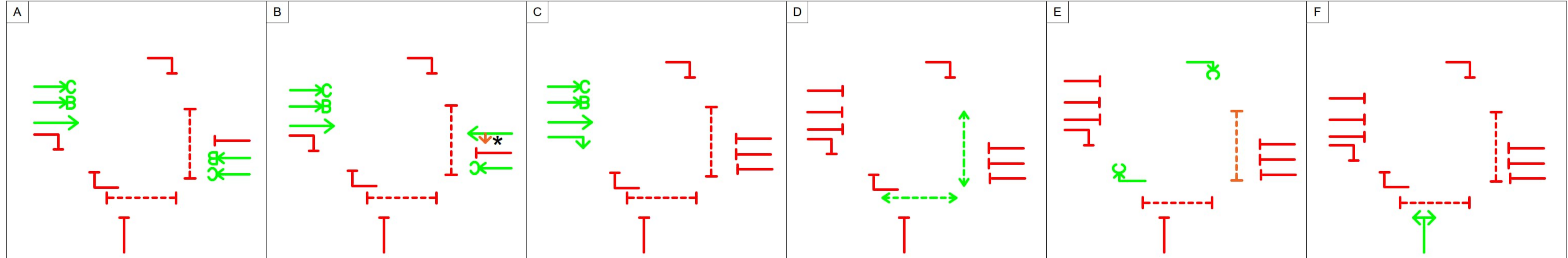
**GLASNEVIN CEMETERY**



- LEGEND:**
- TRAFFIC SIGNAL HEADS:**
- RTS 001 PRIMARY
  - RTS 001 SECONDARY
  - RTS 002 PRIMARY
  - RTS 002 SECONDARY
  - RTS 003 (RUS 012) PRIMARY
  - RTS 003 (RUS 012) SECONDARY
  - RTS 007 (LOW LEVEL) PRIMARY
  - RPC 004 PEDESTRIAN HEAD
- TRAFFIC SIGNAL EQUIPMENT:**
- POLE (STANDARD HEIGHT)
  - TALL POLE (CCTV/TRAFFIC SIGNALS)
  - POLE NUMBER
  - PUSH BUTTON UNIT
  - PAN / TILT / ZOOM CCTV CAMERA
- GENERAL:**
- SITE BOUNDARY LINE
  - TEMPORARY LAND ACQUISITION



**INDICATIVE METHOD OF CONTROL**



\* DENOTES FLASHING AMBER

**Disclaimer**  
 a. © National Transport Authority (NTA) 2022. This drawing is confidential and the copyright in it is owned by NTA. This drawing must not be either loaned, copied or otherwise reproduced in whole or in part or used for any purpose without the prior permission of NTA.  
 b. This drawing is to be used for the design element identified in the titlebox. Other information shown is to be considered indicative only. The drawing is to be read in conjunction with all other relevant design drawings.  
 c. O.S. data used for plans are printed under © Ordnance Survey Ireland Government of Ireland. All rights reserved. Licence Number 2022/OSI\_NMA\_180 National Transport Authority. All elevations are in metres and relate to OSI Geoid Model (OSGM15) Mean Head. All Co-ordinates are in Irish

Transverse Mercator Grid (ITM) as defined by OSI active local GPS station.  
 d. Information concerning the position of apparatus shown on this drawing is based on drawings supplied by the utility owners and/or the utility works contractor, whilst every care has been taken in the preparation of this drawing, positions should be taken as approximate and are intended for general guidance only and no representation is made by the NTA as to the accuracy, completeness, sufficiency or otherwise of this drawing and the position of the apparatus. The information contained herein does not purport to be comprehensive or final as the apparatus is subject to being altered and/or superceded. Recipients should not rely on this information. Any liabilities are hereby expressly disclaimed.

The information contained herein has been provided by the NTA but does not purport to be comprehensive or final. Recipients should not rely on the information. Neither the NTA nor any of its directors, officers, employees, agents, stakeholders or advisers make any representation or warranty as to, or accept any liability or responsibility in relation to, the adequacy, accuracy, reasonableness or completeness of the information provided as part of this document or any matter on which the information is based (including but not limited to loss or damage arising as a result of reliance by recipients on the information or any part of it). Any liabilities are hereby expressly disclaimed.



Rev	Date	Drn	Chk'd	App'd	Description
M01	13/05/2022	DS	EE	SMG	ISSUE FOR PHASE 4 : PLANNING

**NTA**  
 Údarás Náisiúnta Iompair  
 National Transport Authority

**PROD**  
 TYPSA

Engineering Designer

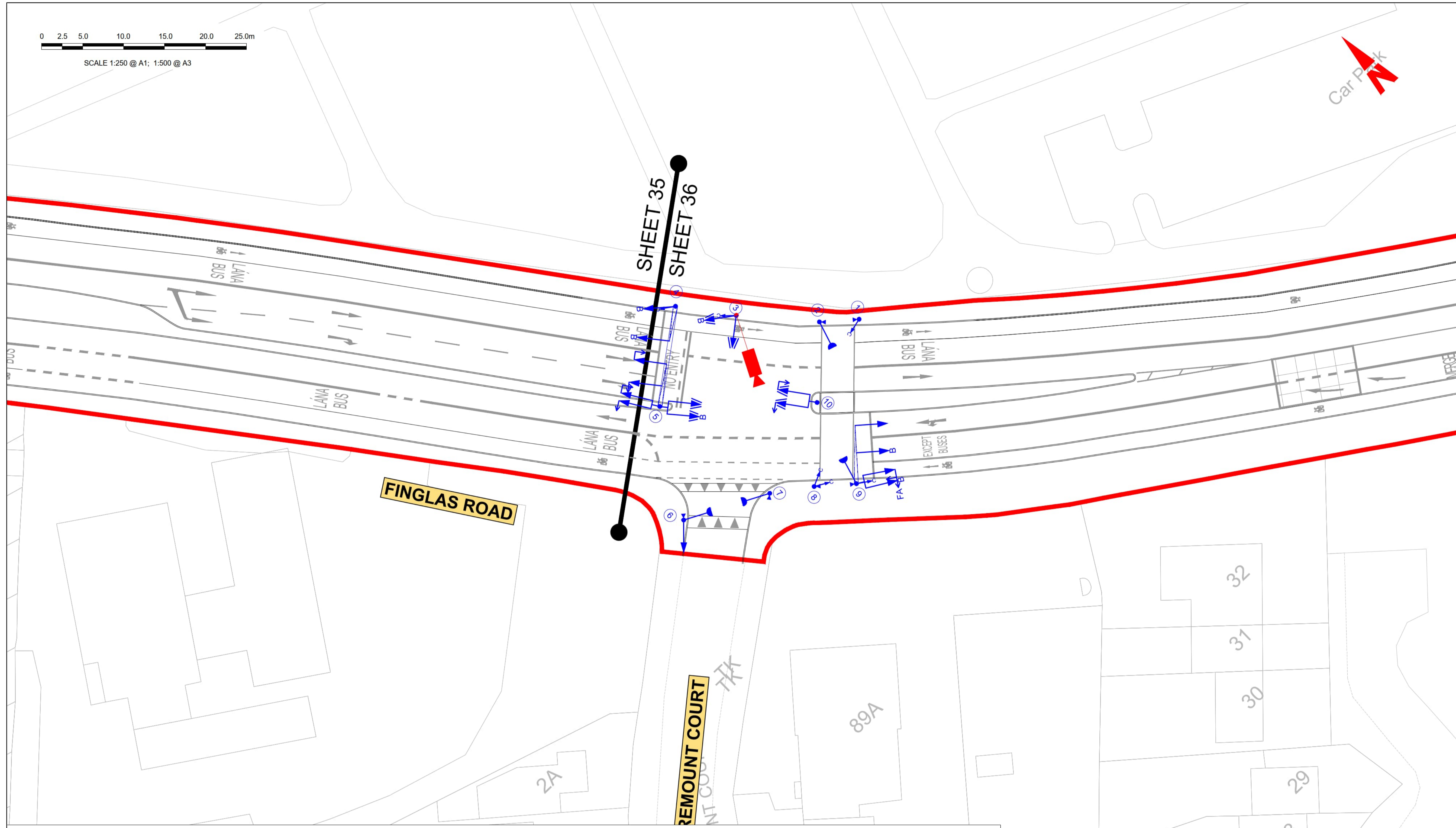
Date: 13/05/2022  
 Scale: 1:250 @ A1, 1:500 @ A3  
 Drawn: DS  
 Checked: EE  
 Approved: SMG

Programme Title: **BUSCONNECTS DUBLIN CORE BUS CORRIDORS INFRASTRUCTURE WORKS**

Drawing Title: **BALLYMUN / FINGLAS TO CITY CENTRE CORE BUS CORRIDOR SCHEME JUNCTION SYSTEM DESIGN SLANEY ROAD / FINGLAS ROAD**

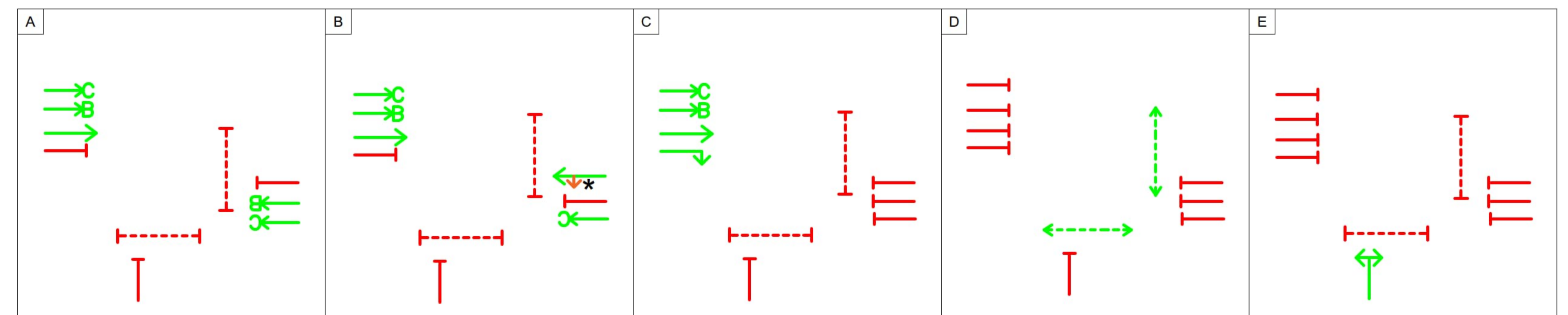
Drawing File Name: BCIDD-ROT-TSM\_SJ-0304\_XX\_00-DR-CR-0035  
 Sheet Number: 35 of 38  
 Status: A  
 Rev: M01





- LEGEND:**
- TRAFFIC SIGNAL HEADS:**
- RTS 001 PRIMARY
  - RTS 001 SECONDARY
  - RTS 002 PRIMARY
  - RTS 002 SECONDARY
  - RTS 003 (RUS 012) PRIMARY
  - RTS 003 (RUS 012) SECONDARY
  - RTS 007 (LOW LEVEL) PRIMARY
  - RPC 004 PEDESTRIAN HEAD
- TRAFFIC SIGNAL EQUIPMENT:**
- POLE (STANDARD HEIGHT)
  - TALL POLE (CCTV/TRAFFIC SIGNALS)
  - POLE NUMBER
  - PUSH BUTTON UNIT
  - PAN / TILT / ZOOM CCTV CAMERA
- GENERAL:**
- SITE BOUNDARY LINE
  - TEMPORARY LAND ACQUISITION

**INDICATIVE METHOD OF CONTROL**



\* DENOTES FLASHING AMBER

**Disclaimer**

a. © National Transport Authority (NTA) 2022. This drawing is confidential and the copyright in it is owned by NTA. This drawing must not be either loaned, copied or otherwise reproduced in whole or in part or used for any purpose without the prior permission of NTA.

b. This drawing is to be used for the design element identified in the titlebox. Other information shown is to be considered indicative only. The drawing is to be read in conjunction with all other relevant design drawings.

c. O.S. data used for plans are printed under © Ordnance Survey Ireland Government of Ireland. All rights reserved. Licence Number 2022/OSI\_NMA\_180 National Transport Authority. All elevations are in metres and relate to OSI Geoid Model (OSGM15) Mean Head. All Co-ordinates are in Irish Transverse Mercator Grid (ITM) as defined by OSI active local GPS station.

d. Information concerning the position of apparatus shown on this drawing is based on drawings supplied by the utility owners and/or the utility works contractor, whilst every care has been taken in the preparation of this drawing, positions should be taken as approximate and are intended for general guidance only and no representation is made by the NTA as to the accuracy, completeness, sufficiency or otherwise of this drawing and the position of the apparatus. The information contained herein does not purport to be comprehensive or final as the apparatus is subject to being altered and/or superseded. Recipients should not rely on this information. Any liabilities are hereby expressly disclaimed.

e. The information contained herein has been provided by the NTA but does not purport to be comprehensive or final. Recipients should not rely on the information. Neither the NTA nor any of its directors, officers, employees, agents, stakeholders or advisers make any representation or warranty as to, or accept any liability or responsibility in relation to, the adequacy, accuracy, reasonableness or completeness of the information provided as part of this document or any matter on which the information is based (including but not limited to loss or damage arising as a result of reliance by recipients on the information or any part of it). Any liabilities are hereby expressly disclaimed.

Rev	Date	Drm	Chk'd	App'd	Description
M01	13/05/2022	DS	EE	SMG	ISSUE FOR PHASE 4 : PLANNING

Client: **NTA**  
Údarás Náisiúnta Iompair  
National Transport Authority

Engineering Designer: **FIROD**  
TYPSA

Date: 13/05/2022  
Scale: 1:250 @ A1  
1:500 @ A3

Drawn: DS  
Checked: EE  
Approved: SMG

Programme Code: BCIDD  
Originator Code: ROT  
QMS Code:

Programme Title: **BUSCONNECTS DUBLIN**  
**CORE BUS CORRIDORS INFRASTRUCTURE WORKS**

Drawing Title: BALLYMUN / FINGLAS TO CITY CENTRE CORE BUS CORRIDOR SCHEME  
JUNCTION SYSTEM DESIGN  
CLAREMONT COURT / FINGLAS ROAD

Drawing File Name: BCIDD-ROT-TSM\_SJ-0304\_XX\_00-DR-CR-0036  
Sheet Number: 36 of 38  
Status: A  
Rev: M01

DO NOT SCALE USE FIGURED DIMENSIONS ONLY



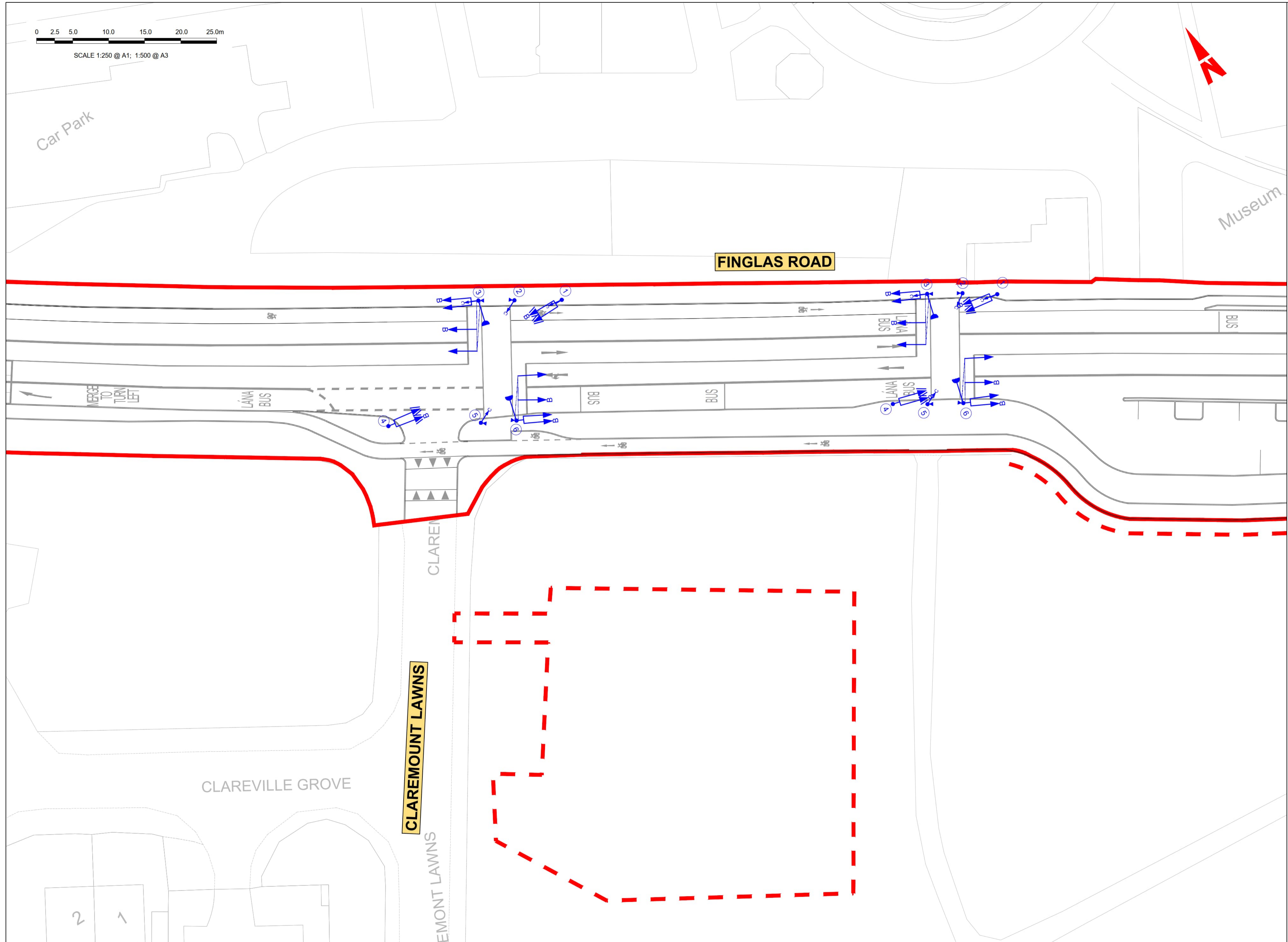


SCALE 1:250 @ A1; 1:500 @ A3



LEGEND:

- TRAFFIC SIGNAL HEADS:**
- RTS 001 PRIMARY
  - RTS 001 SECONDARY
  - RTS 002 PRIMARY
  - RTS 002 SECONDARY
  - RTS 003 (RUS 012) PRIMARY
  - RTS 003 (RUS 012) SECONDARY
  - RTS 007 (LOW LEVEL) PRIMARY
  - RPC 004 PEDESTRIAN HEAD
- TRAFFIC SIGNAL EQUIPMENT:**
- POLE (STANDARD HEIGHT)
  - TALL POLE (CCTV/TRAFFIC SIGNALS)
  - POLE NUMBER
  - PUSH BUTTON UNIT
  - PAN / TILT / ZOOM CCTV CAMERA
- GENERAL:**
- SITE BOUNDARY LINE
  - TEMPORARY LAND ACQUISITION



**Disclaimer**  
 a. © National Transport Authority (NTA) 2022. This drawing is confidential and the copyright in it is owned by NTA. This drawing must not be either loaned, copied or otherwise reproduced in whole or in part or used for any purpose without the prior permission of NTA.  
 b. This drawing is to be used for the design element identified in the titlebox. Other information shown is to be considered indicative only. The drawing is to be read in conjunction with all other relevant design drawings.  
 c. O.S. data used for plans are printed under © Ordnance Survey Ireland Government of Ireland. All rights reserved. Licence Number 2022/OSI\_NMA\_180 National Transport Authority. All elevations are in metres and relate to OSI Geoid Model (OSGM15) Mean Head. All Co-ordinates are in Irish

d. Transverse Mercator Grid (ITM) as defined by OSI active local GPS station.  
 Information concerning the position of apparatus shown on this drawing is based on drawings supplied by the utility owners and/or the utility works contractor, whilst every care has been taken in the preparation of this drawing, positions should be taken as approximate and are intended for general guidance only and no representation is made by the NTA as to the accuracy, completeness, sufficiency or otherwise of this drawing and the position of the apparatus. The information contained herein does not purport to be comprehensive or final as the apparatus is subject to being altered and/or superceded. Recipients should not rely on this information. Any liabilities are hereby expressly disclaimed.

e. The information contained herein has been provided by the NTA but does not purport to be comprehensive or final. Recipients should not rely on the information. Neither the NTA nor any of its directors, officers, employees, agents, stakeholders or advisers make any representation or warranty as to, or accept any liability or responsibility in relation to, the adequacy, accuracy, reasonableness or completeness of the information provided as part of this document or any matter on which the information is based (including but not limited to loss or damage arising as a result of reliance by recipients on the information or any part of it). Any liabilities are hereby expressly disclaimed.



Rev	Date	Dwn	Chk'd	App'd	Description
M01	13/05/2022	DS	EE	SMG	ISSUE FOR PHASE 4 : PLANNING

Client: **NTA** Údarás Náisiúnta Iompair National Transport Authority

Engineering Designer: **CIROD** TYPSA

Date: 13/05/2022 Scale: 1:250 @ A1, 1:500 @ A3

Drawn: DS Checked: EE Approved: SMG

Programme Code: BCIDD Originator Code: ROT QMS Code:

Programme Title: <b>BUSCONNECTS DUBLIN CORE BUS CORRIDORS INFRASTRUCTURE WORKS</b>			
Drawing Title: <b>BALLYMUN / FINGLAS TO CITY CENTRE CORE BUS CORRIDOR SCHEME JUNCTION SYSTEM DESIGN TOUCAN CROSSINGS</b>			
Drawing File Name: BCIDD-ROT-TSM_SJ-0304_XX_00-DR-CR-0037	Sheet Number: 37 of 38	Status: A	Rev: M01

DO NOT SCALE USE FIGURED DIMENSIONS ONLY

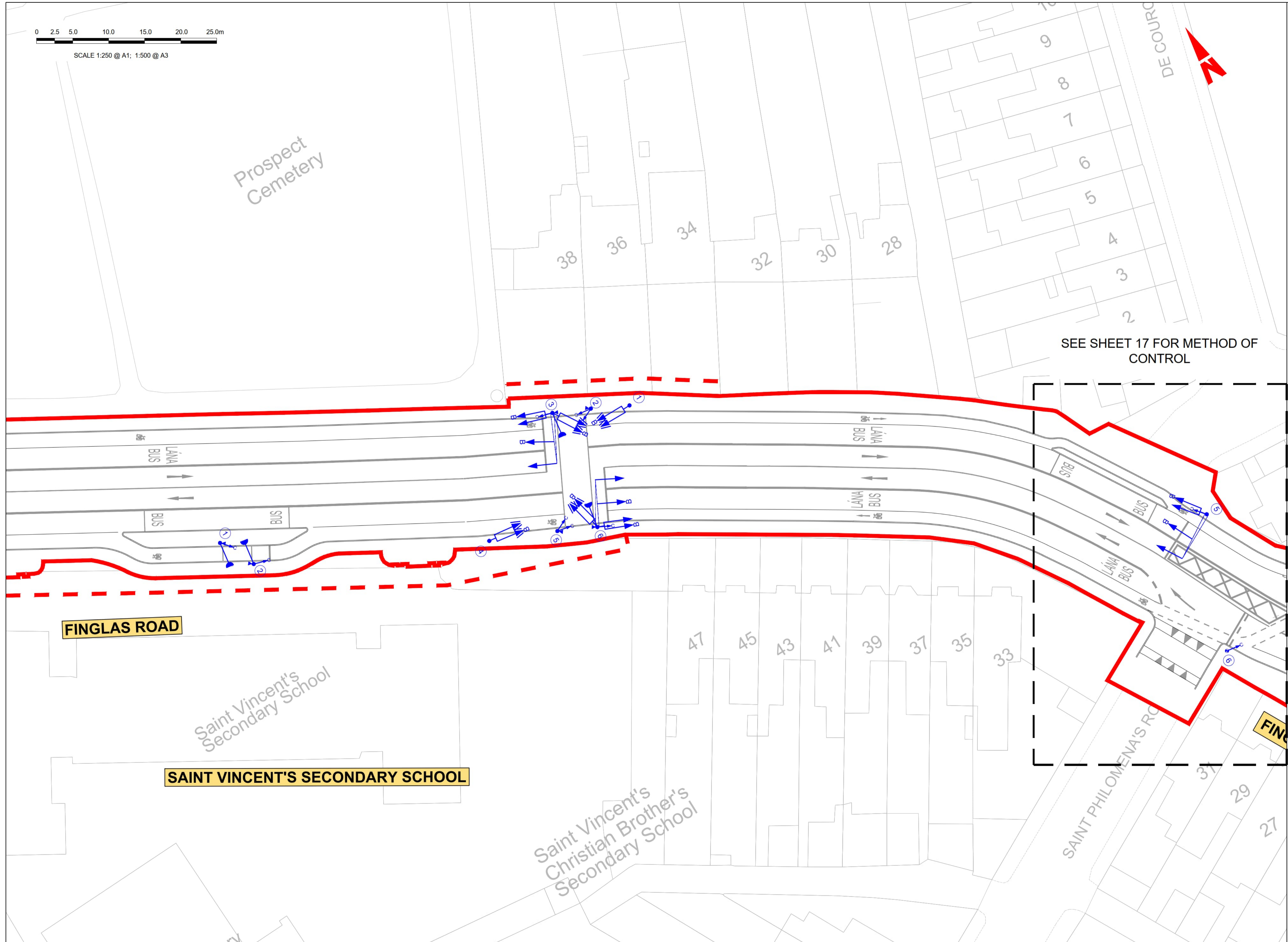




SCALE 1:250 @ A1; 1:500 @ A3

LEGEND:

- TRAFFIC SIGNAL HEADS:**
- RTS 001 PRIMARY
  - RTS 001 SECONDARY
  - RTS 002 PRIMARY
  - RTS 002 SECONDARY
  - RTS 003 (RUS 012) PRIMARY
  - RTS 003 (RUS 012) SECONDARY
  - RTS 007 (LOW LEVEL) PRIMARY
  - RPC 004 PEDESTRIAN HEAD
- TRAFFIC SIGNAL EQUIPMENT:**
- POLE (STANDARD HEIGHT)
  - TALL POLE (CCTV/TRAFFIC SIGNALS)
  - POLE NUMBER
  - PUSH BUTTON UNIT
  - PAN / TILT / ZOOM CCTV CAMERA
- GENERAL:**
- SITE BOUNDARY LINE
  - TEMPORARY LAND ACQUISITION



**Disclaimer**  
 a. © National Transport Authority (NTA) 2022. This drawing is confidential and the copyright in it is owned by NTA. This drawing must not be either loaned, copied or otherwise reproduced in whole or in part or used for any purpose without the prior permission of NTA.  
 b. This drawing is to be used for the design element identified in the titlebox. Other information shown is to be considered indicative only. The drawing is to be read in conjunction with all other relevant design drawings.  
 c. O.S. data used for plans are printed under © Ordnance Survey Ireland Government of Ireland. All rights reserved. Licence Number 2022/OSI\_NMA\_180 National Transport Authority. All elevations are in metres and relate to OSI Geoid Model (OSGM15) Mean Head. All Co-ordinates are in Irish

Transverse Mercator Grid (ITM) as defined by OSI active local GPS station.  
 d. Information concerning the position of apparatus shown on this drawing is based on drawings supplied by the utility owners and/or the utility works contractor, whilst every care has been taken in the preparation of this drawing, positions should be taken as approximate and are intended for general guidance only and no representation is made by the NTA as to the accuracy, completeness, sufficiency or otherwise of this drawing and the position of the apparatus. The information contained herein does not purport to be comprehensive or final as the apparatus is subject to being altered and/or superceded. Recipients should not rely on this information. Any liabilities are hereby expressly disclaimed.

e. The information contained herein has been provided by the NTA but does not purport to be comprehensive or final. Recipients should not rely on the information. Neither the NTA nor any of its directors, officers, employees, agents, stakeholders or advisers make any representation or warranty as to, or accept any liability or responsibility in relation to, the adequacy, accuracy, reasonableness or completeness of the information provided as part of this document or any matter on which the information is based (including but not limited to loss or damage arising as a result of reliance by recipients on the information or any part of it). Any liabilities are hereby expressly disclaimed.

**Project Ireland 2040**  
 Building Ireland's Future

Rev	Date	Dwn	Chk'd	App'd	Description
M01	13/05/2022	DS	EE	SMG	ISSUE FOR PHASE 4 : PLANNING

Client: **NTA**  
 Údarás Náisiúnta Iompair  
 National Transport Authority

Engineering Designer: **FIROD**  
 TYPSA

Date: 13/05/2022  
 Scale: 1:250 @ A1, 1:500 @ A3

Drawn: DS, Checked: EE, Approved: SMG

Programme Code: BCIDD, Originator Code: ROT, QMS Code:

Programme Title: **BUSCONNECTS DUBLIN**  
**CORE BUS CORRIDORS INFRASTRUCTURE WORKS**

Drawing Title: **BALLYMUN / FINGLAS TO CITY CENTRE CORE BUS CORRIDOR SCHEME**  
 JUNCTION SYSTEM DESIGN  
 TOUCAN CROSSING

Drawing File Name: BCIDD-ROT-TSM\_SJ-0304\_XX\_00-DR-CR-0038  
 Sheet Number: 38 of 38, Status: A, Rev: M01